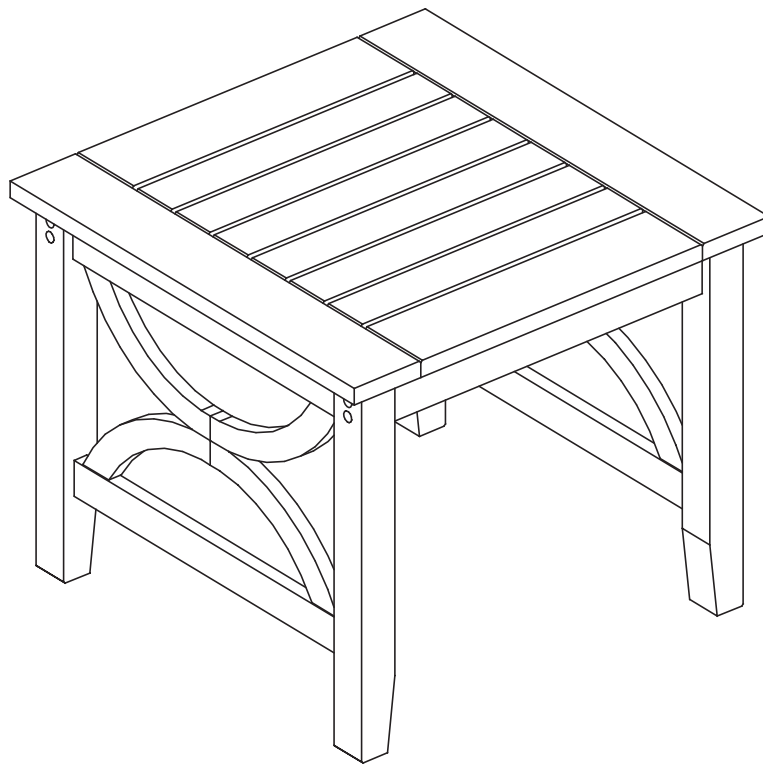


ASSEMBLY INSTRUCTIONS

TEAK SIDE TABLE

IT-180449T



CUSTOMER SERVICE INFORMATION

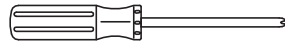
Please do not return to the store. If any pieces are missing call our toll free number at 1-888-287-4275 from 9:00 am to 5:00 pm CST (Monday to Friday) for replacement parts. For faster service, have the style number handy when calling.

GENERAL INFORMATION & TIPS

1. Please read the assembly instructions prior to assembling the table.
2. To avoid damage, assemble the table on a non-abrasive surface such as carpet.
3. Make sure all bolts tightly fastened before the table is used.
4. This table is not for commercial use.

Please make sure you have all parts before beginning assembly. Please wait until all steps are completed before tightening bolts.

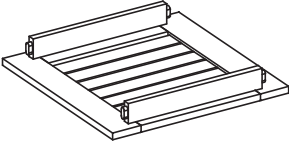
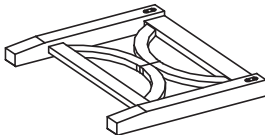


1. A Phillips screwdriver is necessary for assembly.
It's not included in hardware list.



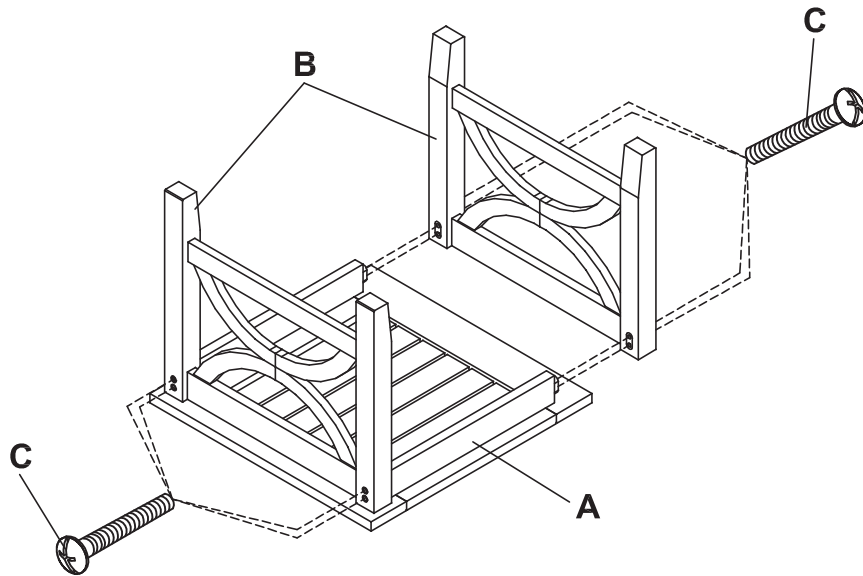
2. A Rubber mallet is necessary for assembly.
It's not included in hardware list.



PARTS AND HARDWARE LIST

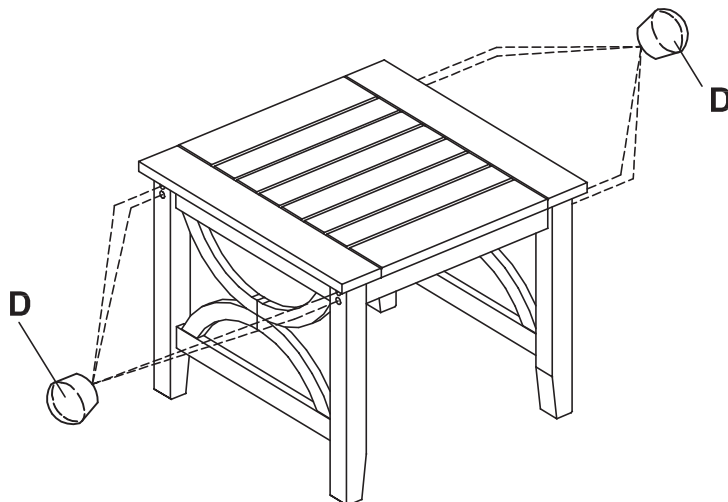
A. Table Top	B. Leg Frame	C. 1 1/2" Bolt	D. Wooden Cap
			
QTY: 1 pc	QTY: 2 pcs	QTY: 8 pcs + 1	QTY: 8 pcs + 1

STEP 1



Attach the leg frame (B) to the table top (A) and secure with 1 1/2" bolts (C).
Using phillips screwdriver.

STEP 2



Make sure all parts are correctly connected and tighten all bolts using screwdriver.
Tapping in the wooden caps (D) to cover bolts head using rubber mallet.

THE SIDE TABLE IS NOW READY TO USE.