

ASSEMBLY INSTRUCTIONS



LIST OF WOODEN PARTS

NO.	DESCRIPTION	Q'TY
A	TABLE TOP	1 PC
B	SHELF	1 PC
C	LEG FRAME	2 PCS

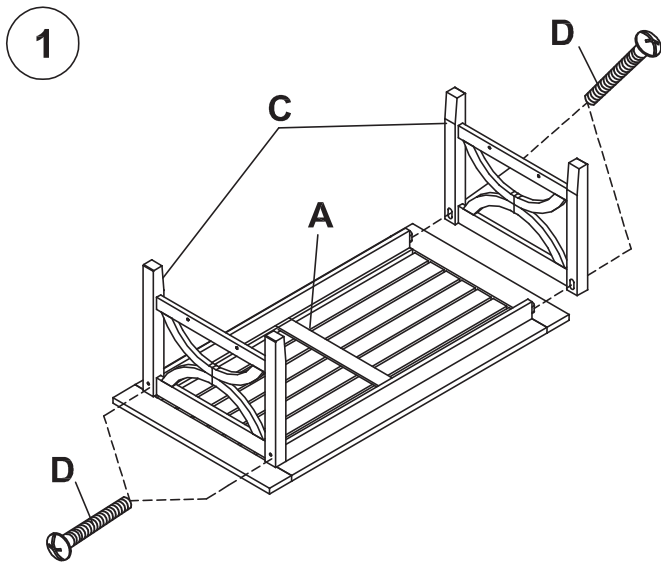
QUESTION ?

Identify all parts and hardware. If any pieces are missing call our toll free number at 1-888-287-4275 from 9:00 am to 5.00 pm CST (Monday to Friday) for replacment parts. For faster service, have the style number handy when calling.

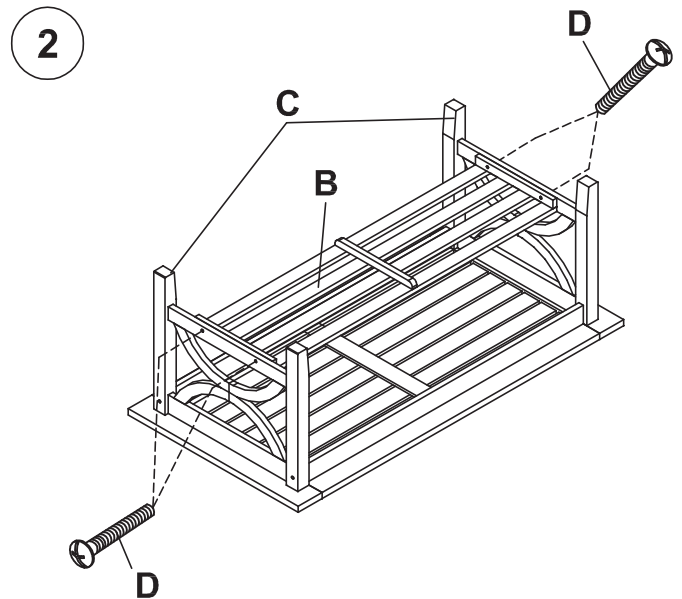
LIST OF HARDWARE PARTS :

- D  1 1/2" BOLT 8 PCS + 1
- E  WOODEN CAP 4 PCS + 1

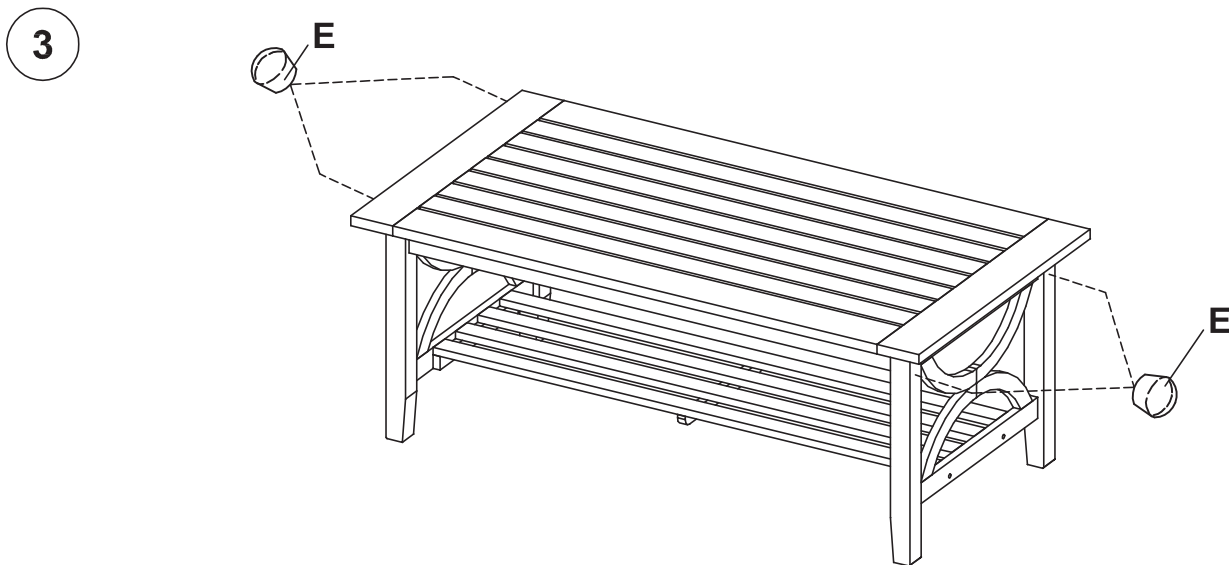
- NOTE : 1. PLEASE READ THE INSTRUCTION SHEET CAREFULLY BEFORE TOU START ASSEMBLY.
 2. PLEASE DO NOT TIGHTEN THE BOLTS UNTIL ALL BOLTS ARE IN THE CORRECT POSITION AS SHOWN IN THE DIAGRAM.
 3. PHILLIP'S SCREWDRIVER IS NEEDED IN ASSEMBLING (NOT PROVIDED).



Attach the frames (C) into each corner of table top (A).
 Secure using 1 1/2" bolts (D).
 Do not tighten bolts yet.



Attach shelf (B) to the leg frame (C).
 Secure using 1 1/2" bolts (D).



Make sure all parts are correctly connected and tighten all bolts using screwdriver.
 Tapping in the wooden caps (E) to cover bolts head using rubber mallet.

CONGRATULATIONS !
 THE COFFEE TABLE IS NOW READY TO USE.

IT- 170449T