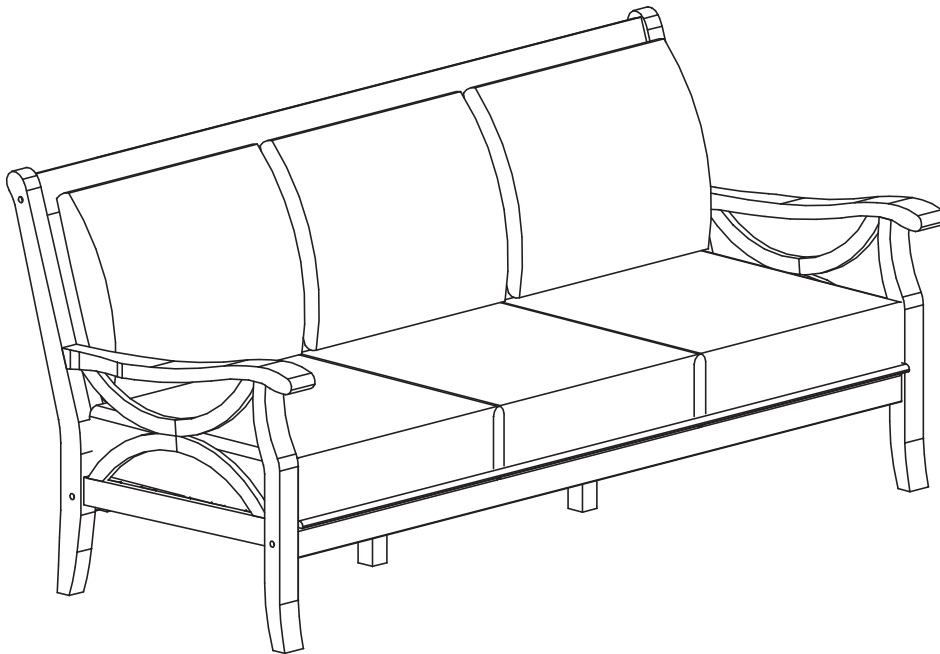


ASSEMBLY INSTRUCTIONS

**TEAK DEEP SEATING
THREE SEATER BENCH**

IT-150959T



CUSTOMER SERVICE INFORMATION

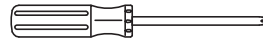
Please do not return to the store. If any pieces are missing call our toll free number at 1-888-287-4275 from 9:00 am to 5.00 pm CST (Monday to Friday) for replacement parts. For faster service, have the style number handy when calling.

GENERAL INFORMATION & TIPS

1. Please read the assembly instructions prior to assembling the bench.
2. To avoid damage, assemble the chair on a non-abrasive surface such as carpet.
3. Make sure all bolts tightly fastened before the bench is used.
4. This bench is not for commercial use.

Please make sure you have all parts before beginning assembly. Please wait until all steps are completed before tightening bolts.

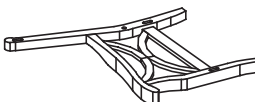
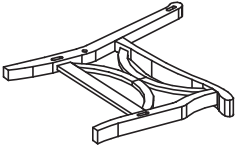
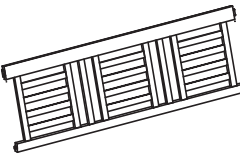








1. A Phillips screwdriver is necessary for assembly.
It's not included in hardware list.



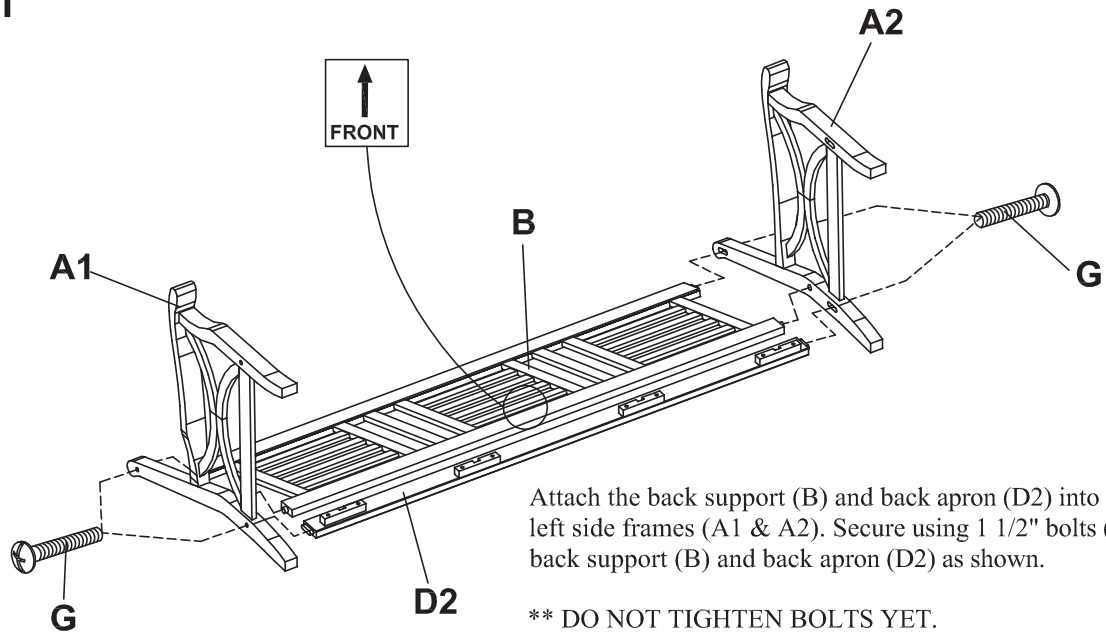
2. A Rubber mallet is necessary for assembly.
It's not included in hardware list.



PARTS AND HARDWARE LIST

A1. Right Side Frame	A2. Left Side Frame	B. Back Support	C. Seat
			
QTY: 1 pc	QTY: 1 pc	QTY: 1 pc	QTY: 1 pc
D1. Front Apron	D2. Back Apron	E. Leg Frame	F. 2" Bolt
			
QTY: 1 pc	QTY: 1 pc	QTY: 1 pc	QTY: 2 pcs + 1
G. 1 1/2" Bolt	H. 1" Screw	I. Wooden Cap	
			
QTY: 8 pcs + 1	QTY: 4 pcs + 1	QTY: 6 pcs + 1	

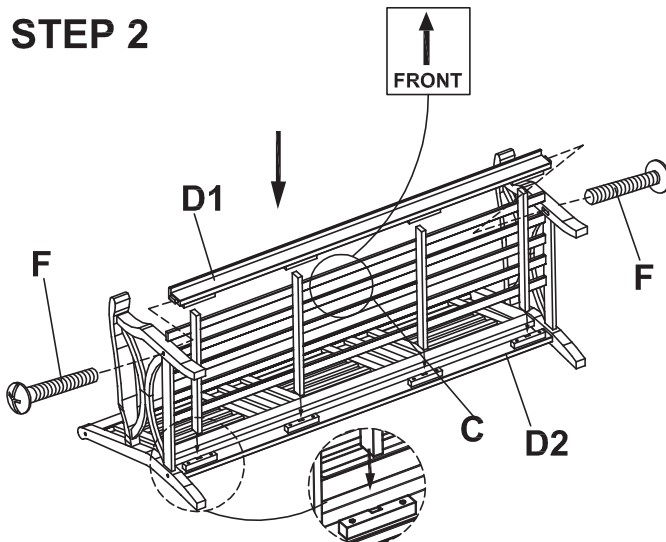
STEP 1



Attach the back support (B) and back apron (D2) into right and left side frames (A1 & A2). Secure using 1 1/2" bolts (G) into back support (B) and back apron (D2) as shown.

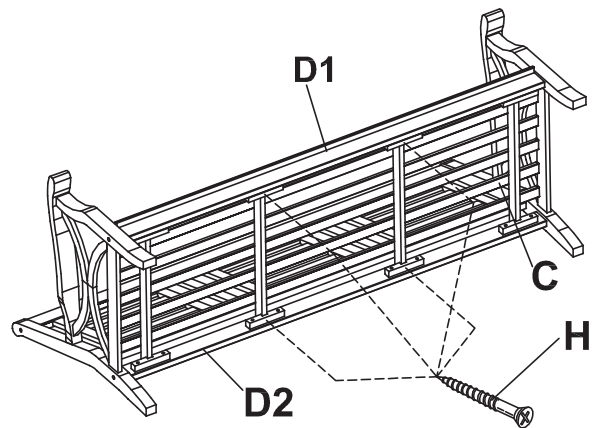
**** DO NOT TIGHTEN BOLTS YET.**

STEP 2



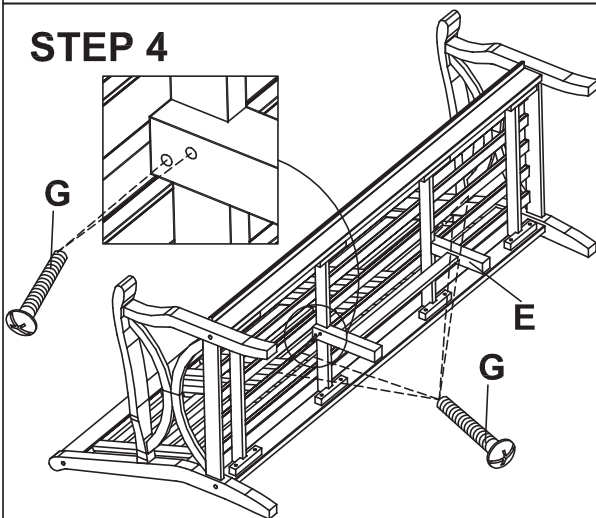
Put the seat (C) into predrilled holes of back apron (D2) as shown. Next, attach the front apron (D1) into right and left side frames (A1 & A2). Secure front apron using 2" bolts (F), as shown.

STEP 3



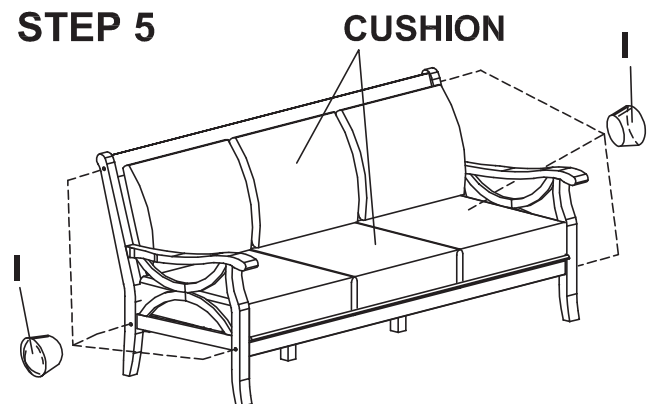
Secure the seat (C) using 1" screws (H) into front apron (D1) and back apron (D2).

STEP 4



- Attach the leg frame (E) to bottom seat. Secure the leg frame (E) using 1 1/2" bolts (G), as shown.
- Make sure all parts are correctly connected and tighten all bolts completely using screwdriver.
- Upright the bench.

STEP 5



- CUSHION**
- Make sure all parts are correctly completed and tighten all bolts completely using screwdriver.
 - Tapping in the wooden caps (I) to cover bolts head using rubber mallet.
 - Install the cushion

THE LOVESEAT IS NOW READY FOR USE.