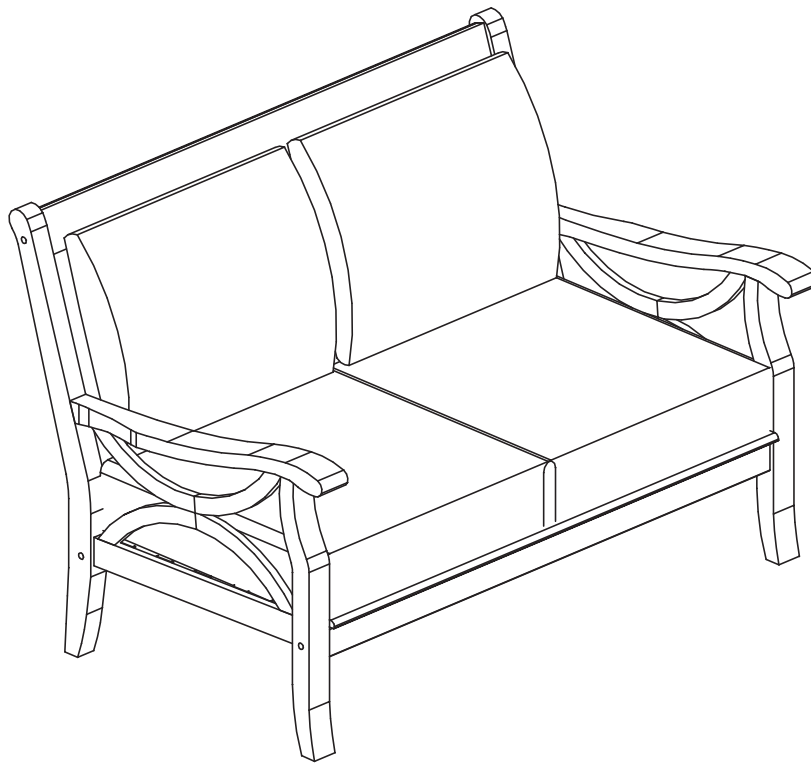


ASSEMBLY INSTRUCTIONS

TEAK DEEP-SEATING LOVESEAT

IT-140959T



CUSTOMER SERVICE INFORMATION

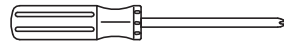
Please do not return to the store. If any pieces are missing call our toll free number at 1-888-287-4275 from 9:00 am to 5.00 pm CST (Monday to Friday) for replacement parts. For faster service, have the style number handy when calling.

GENERAL INFORMATION & TIPS

1. Please read the assembly instructions prior to assembling the loveseat.
2. To avoid damage, assemble the loveseat on a non-abrasive surface such as carpet.
3. Make sure all bolts tightly fastened before this loveseat is used.
4. This loveseat is not for commercial use.

Please make sure you have all parts before beginning assembly. Please wait until all steps are completed before tightening bolts.

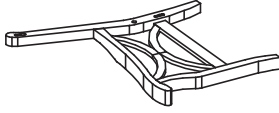
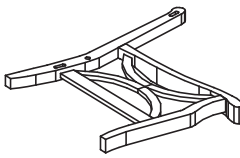
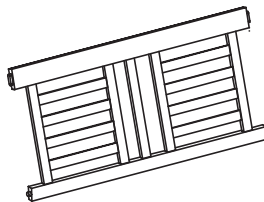
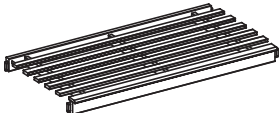

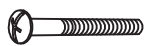

1. A Phillips screwdriver is necessary for assembly.
It's not included in hardware list.



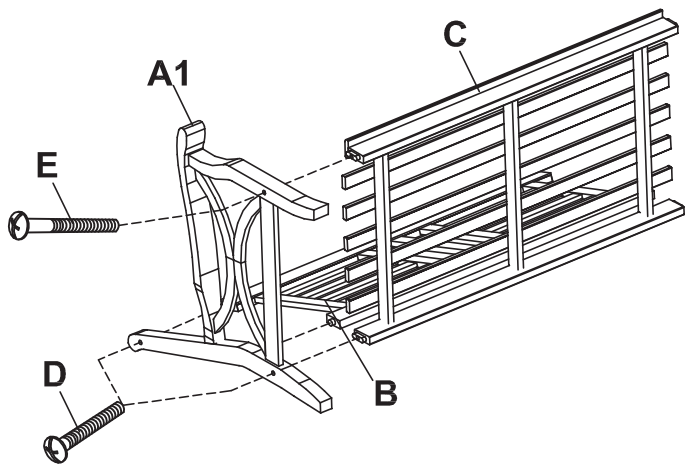
2. A Rubber mallet is necessary for assembly.
It's not included in hardware list.



PARTS AND HARDWARE LIST

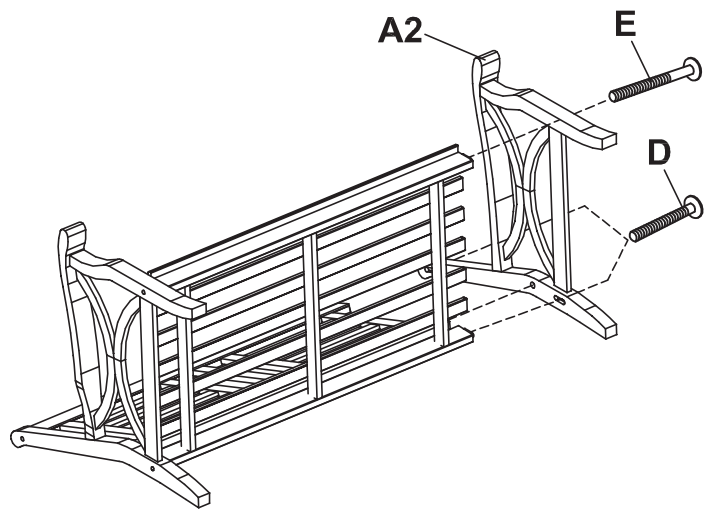
A1. Right side frame	A2. Left side frame	B. Back support	C. Seat
			
QTY: 1 pc	QTY: 1 pc	QTY: 1 pc	QTY: 1 pc
D. 1 1/2" Bolt	E. 2" Bolt	F. Wooden cap	
			
QTY: 4+1 pcs	QTY: 2+1 pcs	QTY: 6+1 pcs	

STEP 1



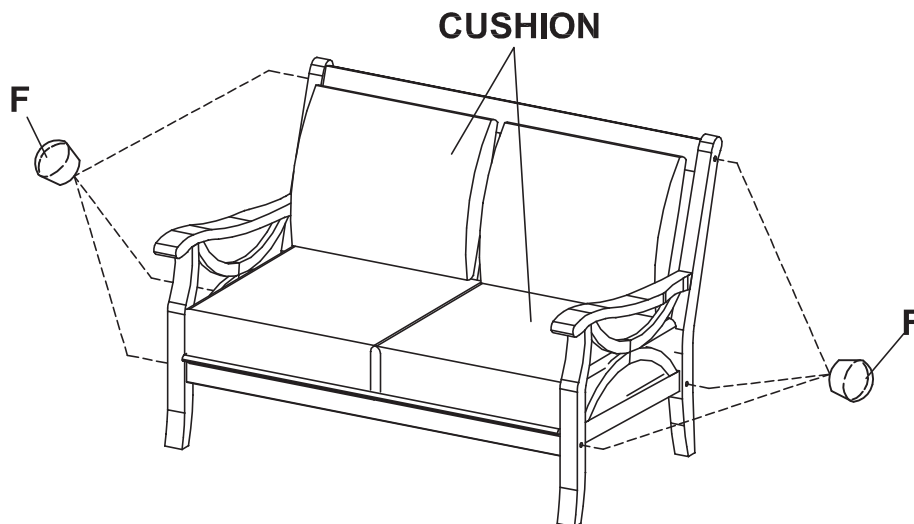
- Attach the back support (B) and seat (C) into right side frame (A1).
- Insert bolts into predilled holes and tighten secure using 1 1/2" bolts (D) and 2" bolt (E).

STEP 2



- Attach the left side frame (A2) into back support (B) and seat (C).
- Insert bolts into predilled holes and tighten secure using 1 1/2" bolts (D) and 2" bolt (E).

STEP 3



- Make sure all parts are correctly completed and tighten all bolts completely using screwdriver.
- Tapping in the wooden cap (F) to cover bolts head using rubber mallet.
- Install the cushion.

THE LOVESEAT IS NOW READY FOR USE.