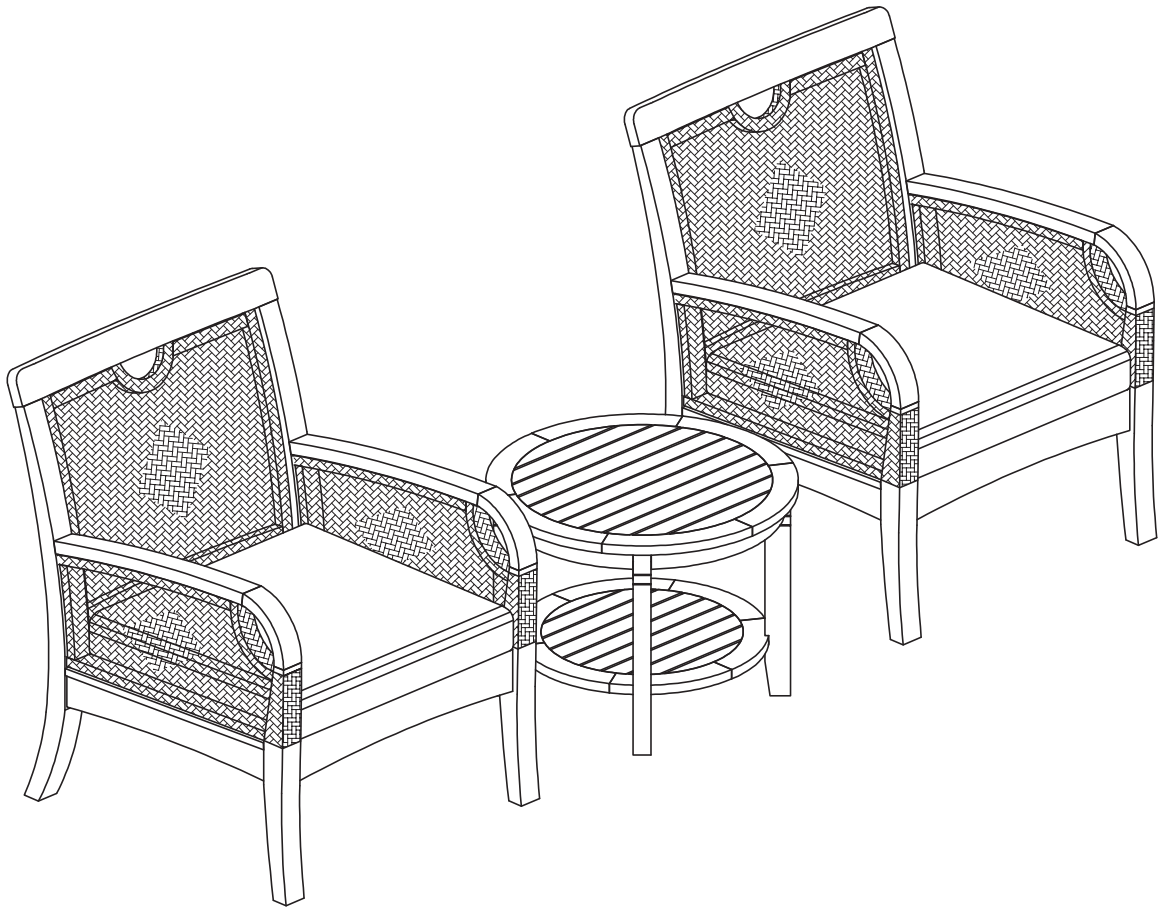


## ASSEMBLY INSTRUCTIONS

# 3 PCS CHAT SET WICKER WITH CUSHION TM610408T



### CUSTOMER SERVICE INFORMATION

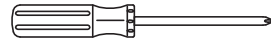
Please do not return to the store. If any pieces are missing call our toll free number at 1-888-287-4275 from 9:00 am to 5.00 pm CST (Monday to Friday) for replacement parts. For faster service, have the style number handy when calling.

## GENERAL INFORMATION & TIPS

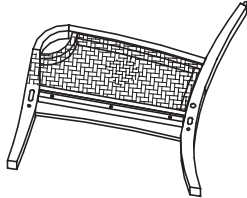
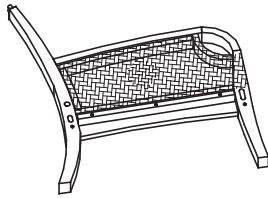
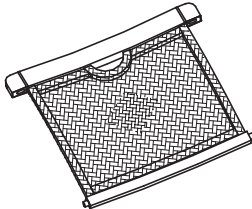
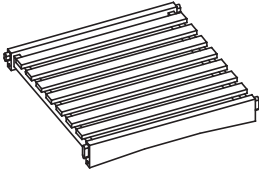



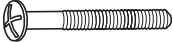

1. Please read the assembly instructions prior to assembling the chair.
2. To avoid damage, assemble the chair on a non-abrasive surface such as carpet.
3. Make sure all bolts tightly fastened before the chair is used.
4. This chair is not for commercial use.

Please make sure you have all parts before beginning assembly. Please wait until all steps are completed before tightening bolts.

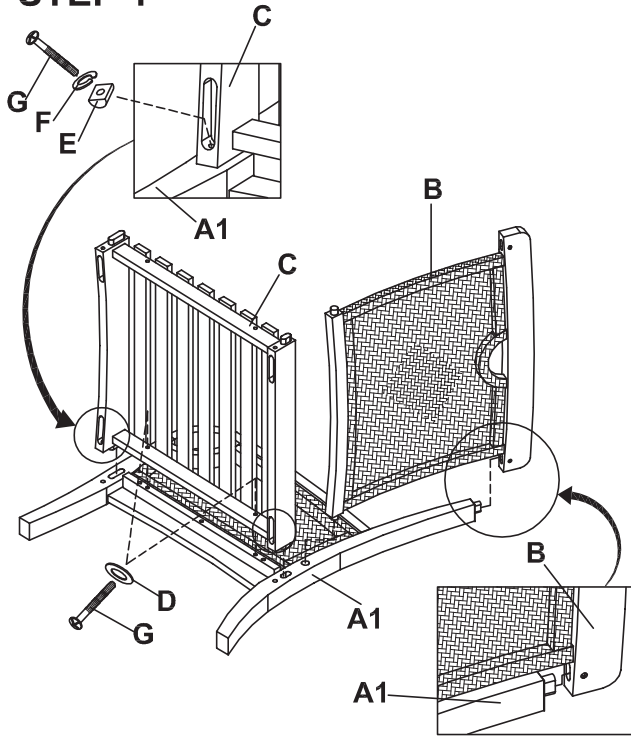
1. A Phillips screwdriver is necessary for assembly.  
It's not included in hardware list.



## PARTS AND HARDWARE LIST

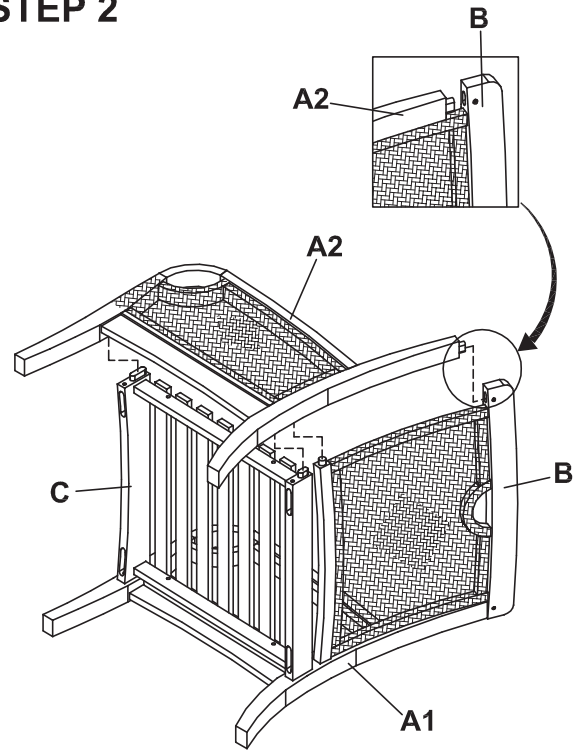
A1. Right side frame	A2. Left side frame	B. Back rest	C. Seat
			
QTY: 1 pc	QTY: 1 pc	QTY: 1 pc	QTY: 1 Pc
D. Washer	E. Half Moon Washer	F. Spring Washer	G. 1 1/2" Bolt
			
QTY: 4 Pcs + 1	QTY: 4 Pcs + 1	QTY: 4 Pcs + 1	QTY: 8 Pcs + 1
H. 3/4" Screw			
			
QTY: 2 pc + 1			

### STEP 1



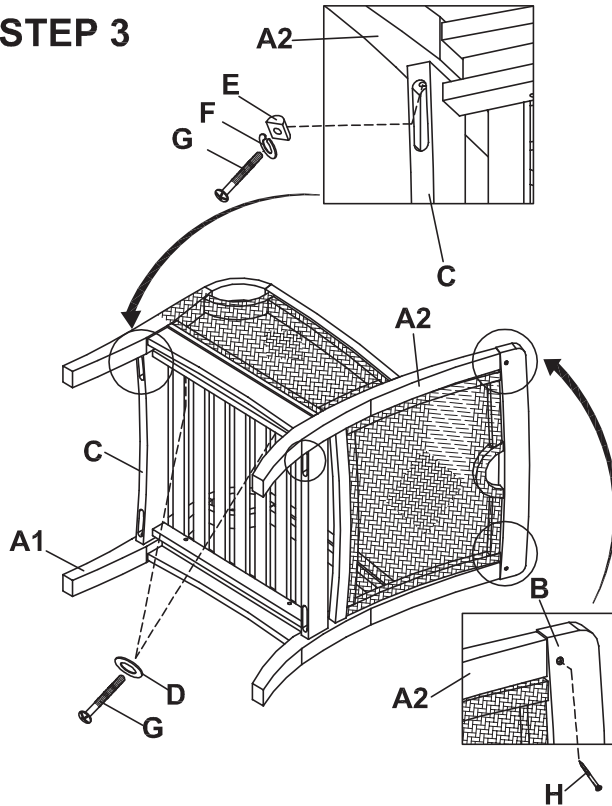
- Attach the Back Rest (B) and Seat (C) into the Right Side Frame (A1). Secure seat 1 1/2" bolt (G) and Washer (D) on the side support, and also with 1 1/2" bolt (G), Spring Washer (F) and half moon washer (E) on the front and back support. As shown.
- Tighten all bolts with Philips Screwdriver.

### STEP 2



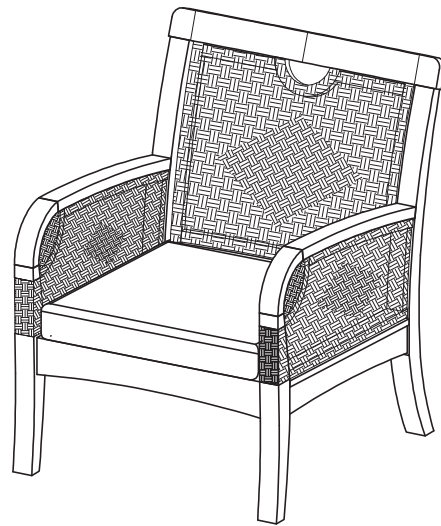
- Attach the Left Side Frame (A2) onto the assembly.

### STEP 3



- Secure by repeating step 1. insert 3/4" Screw (H) to the back of backrest (B). As shown.
- Tighten all bolts and screws with Philips Screwdriver.

### STEP 4



- Upright the chair.
- Make sure all parts are correctly installed and all bolts and Screws are tightened completely using screwdriver.
- Install the cushion

**THE CHAIR IS NOW READY FOR USE.**

## GENERAL INFORMATION & TIPS

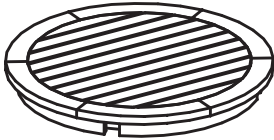






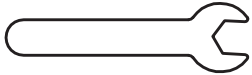
1. Please read the assembly instructions prior to assembling the table.
2. To avoid damage, assemble the table on a non-abrasive surface such as carpet.
3. Make sure all nuts tightly fastened before the table is used.
4. This table is not for commercial use.

Please make sure you have all parts before beginning assembly. Please wait until all steps are completed before tightening nuts.

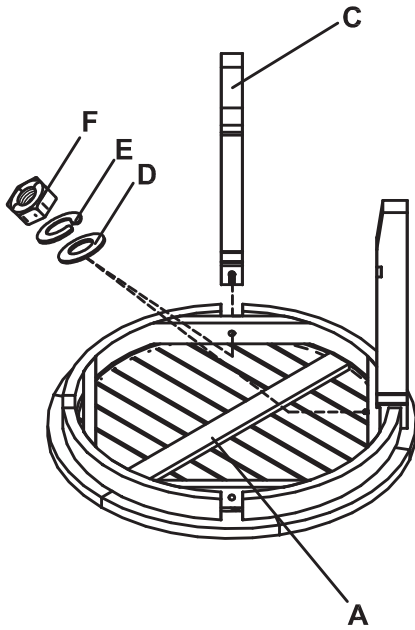
1. A Phillips screwdriver is necessary for assembly.  
It's not included in hardware list.



## PARTS AND HARDWARE LIST

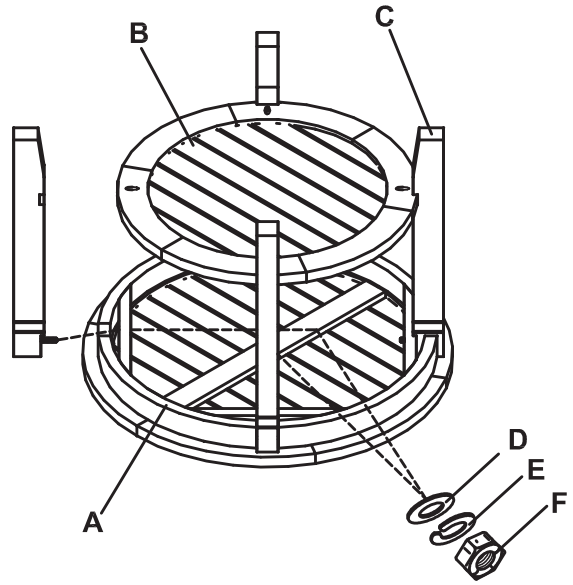
A. Table Top	B. Tray	C. Leg	D. Washer
			
QTY: 1 pc	QTY: 1 pc	QTY: 4 pcs	QTY: 4 Pcs + 1
E. Spring Washer	F. Nut	G. 1 1/2" Screw	H. Wrench
			
QTY: 4 Pcs + 1	QTY: 4 Pcs + 1	QTY: 4 Pcs + 1	QTY: 1 Pc

### STEP 1



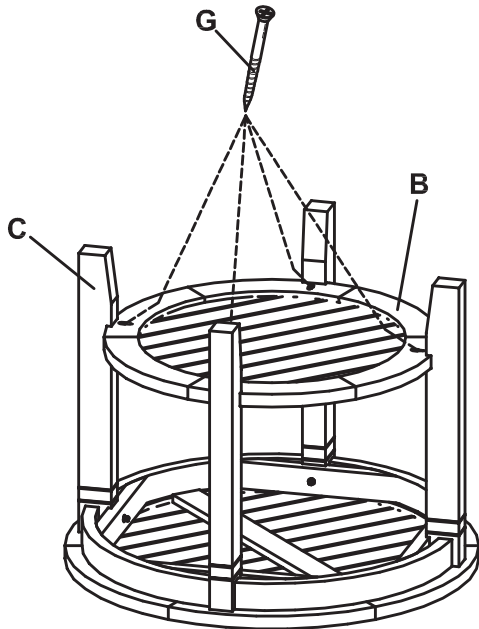
Put the table top (A) face down on clean flat surface.  
Attach 2 pcs legs (C) to the table top (A) and secure each leg with washer (D), spring washer (E) and nuts (F).  
Do not fully tighten all nuts yet.

### STEP 2



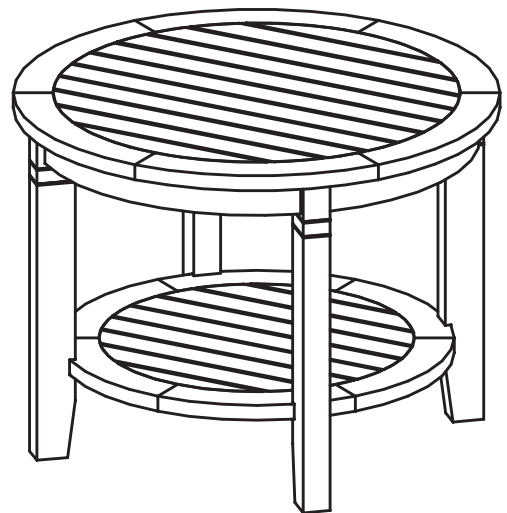
Attach the tray (B) to the legs (C).  
Attach the other legs (C) into the table top (A) and tray (B), as diagram shown.  
Secure the legs (C) to table top (A) with washer (D), spring washer (E), and nuts (F).

### STEP 3



Secure the tray (B) with 1 1/2" screws (G).  
Make sure all parts are correctly connected and tighten all nuts and screws completely using phillips screwdriver and wrench.

### STEP 4



Upright the table.  
**THE TABLE IS NOW READY FOR USE.**