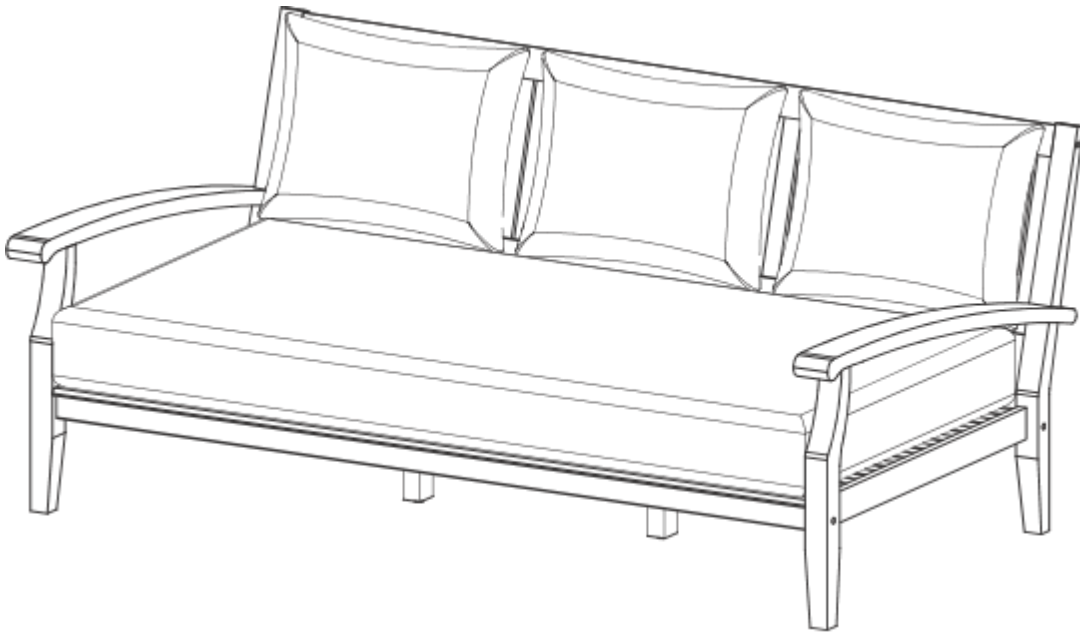


ASSEMBLY INSTRUCTION

DAYBED

IT-460137T



CUSTOMER SERVICE INFORMATION

Please do not return to the store. If any pieces are missing call our toll free number at 1-888-287-4275 from 9:00 am to 5.00 pm CST (Monday to Friday) for replacement parts. For faster service, have the style number handy when calling.

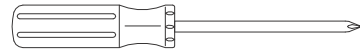
GENERAL INFORMATION & TIPS

1. Please read the assembly instructions prior to assembling daybed.
2. To avoid damage, assemble daybed on a non-abrasive surface such as carpet.
3. Make sure all bolts and screws tightly fastened before daybed is used.
4. This daybed is not for commercial use.



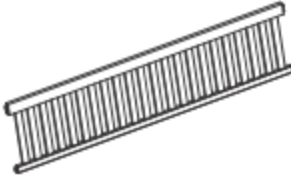


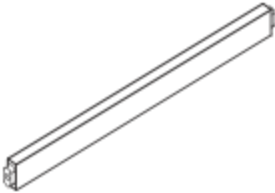



Please make sure you have all parts before beginning assembly. Please wait until all steps are completed before tightening bolts.

TOOLS REQUIRED

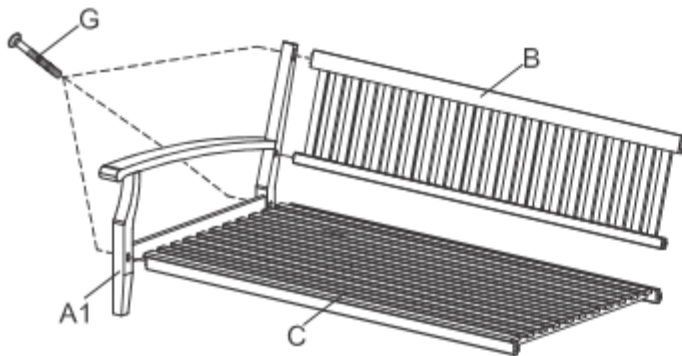
1. 8" Philips screwdriver (Not provided).
- For tightening all bolts and screws.
2. Rubber Mallet (Not provided).
- For tapping in the wooden caps.



PARTS AND HARDWARE LIST

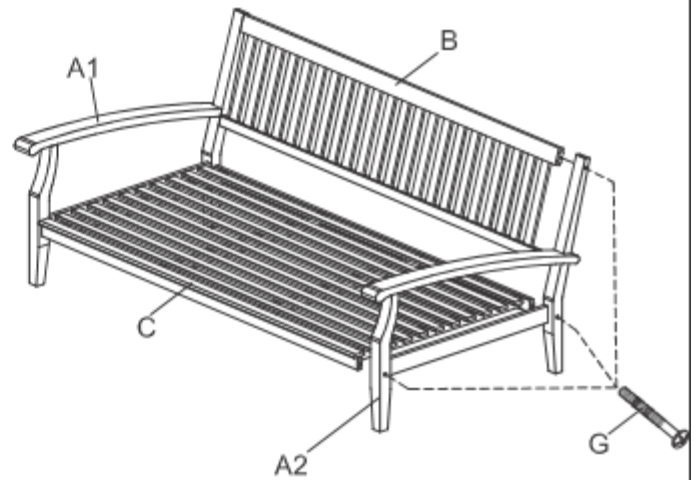
A1. Right Side Frame	A2. Left Side Frame	B. Back Support	C. Seat
			
Qty : 1 Pc	Qty : 1 Pc	Qty : 1 Pc	Qty : 1 Pc
D. Middle Leg	E. Middle Cross Bar	F. 1 1/2" Bolt	G. 2" Bolt
			
Qty : 2 Pcs	Qty : 1 Pc	Qty : 2+1 Pcs	Qty : 8+1 Pcs
H. Wooden Cup			
			
Qty :6+1 Pcs			

STEP 1



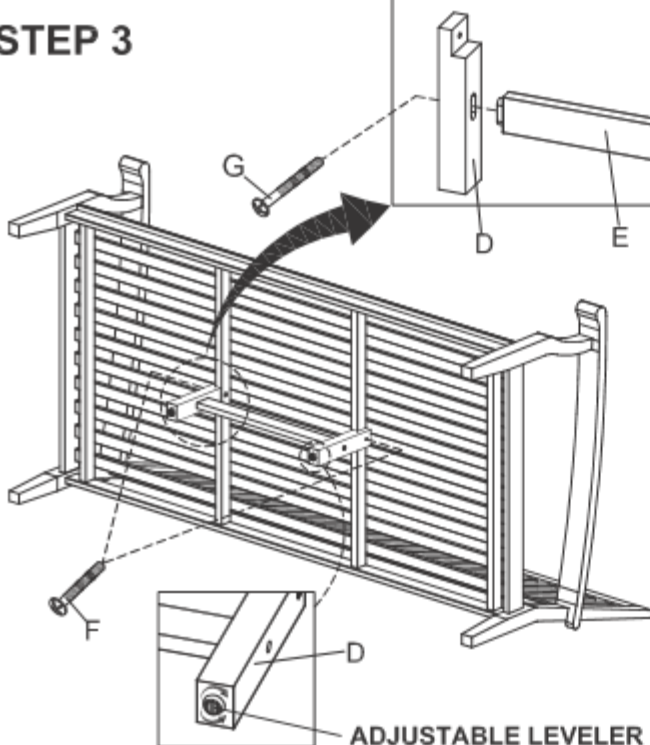
Attach back support (B) and seat (C) into right side frame (A1), secure using 2" Bolts (G). Tighten all bolts using screwdriver.

STEP 2



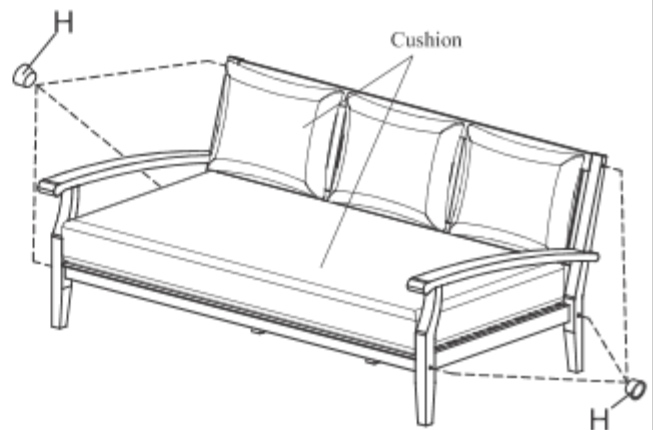
Attach left side frame (A2) into pre-assembled frame, secure using 2" bolts (G). Tighten all bolts using screwdriver.

STEP 3



Attach the middle cross bar (E) into middle legs (D), secure using 2" bolt (G). Next, Attach the Middle Leg Frame to Seat, secure with 1 1/2" bolts (F), As Shown. Tighten all bolts using screwdriver.
To balance the seat height between the middle leg and bench legs, adjust the leveler until legs balance before using.

STEP 4



- Make sure all parts are correctly connected and tighten all bolts using screwdriver .
- Tapping in the wooden caps (H) to cover bolts head using rubber mallet.
- Install the cushion

CONGRATULATION !

DAYBED IS NOW READY FOR USE.