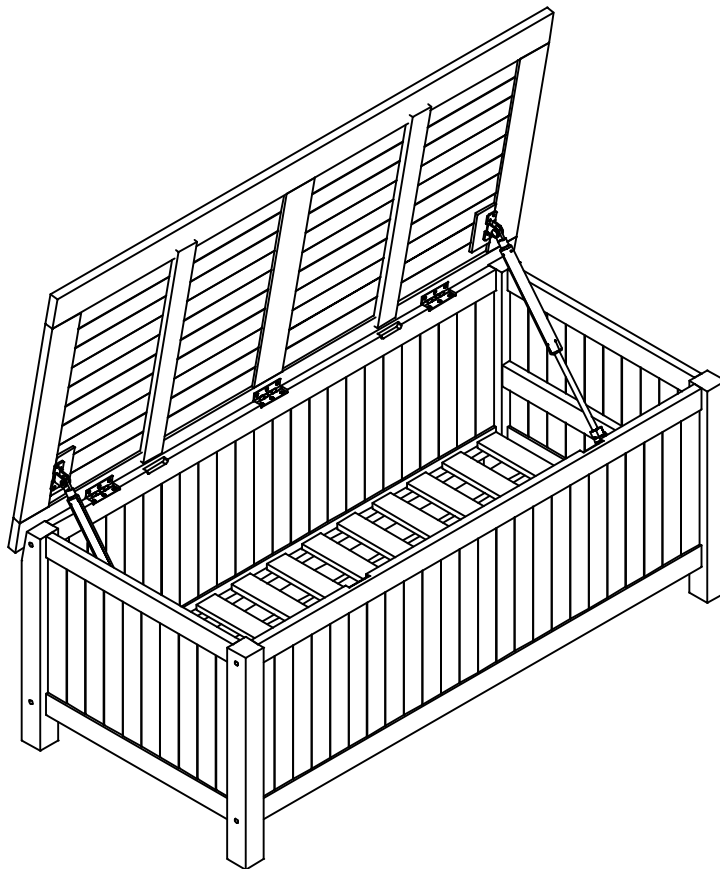


ASSEMBLY INSTRUCTIONS

TEAK STORAGE BOX

IT-370218T



CUSTOMER SERVICE INFORMATION

Please do not return to the store. If any pieces are missing call our toll free number at 1-888-287-4275 from 9:00 am to 5:00 pm CST (Monday to Friday) for replacement parts. For faster service, have the style number handy when calling.

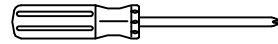
GENERAL INFORMATION & TIPS

1. Please read the assembly instructions prior to assembling the storage box.
2. To avoid damage, assemble the chair on a non-abrasive surface such as carpet.
3. Make sure all bolts tightly fastened before the storage box is used.
4. This storage box is not for commercial use.

Please make sure you have all parts before beginning assembly. Please wait until all steps are completed before tightening bolts.

TOOLS REQUIRED

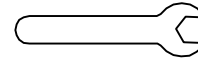
1. A Phillips screwdriver (not included).
- for tightening all bolts and screws.



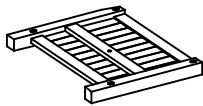
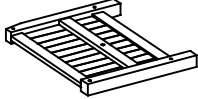
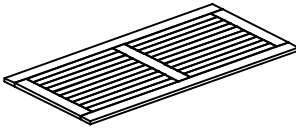
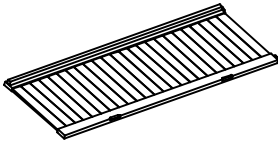
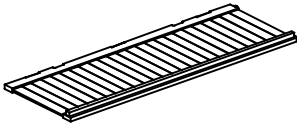
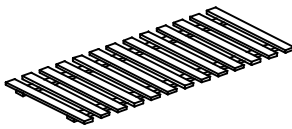




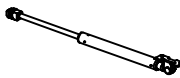

2. A Rubber mallet (not included).
- for tapping wooden cap.



3. A Wrench (included).
- for tightening all lid nut.

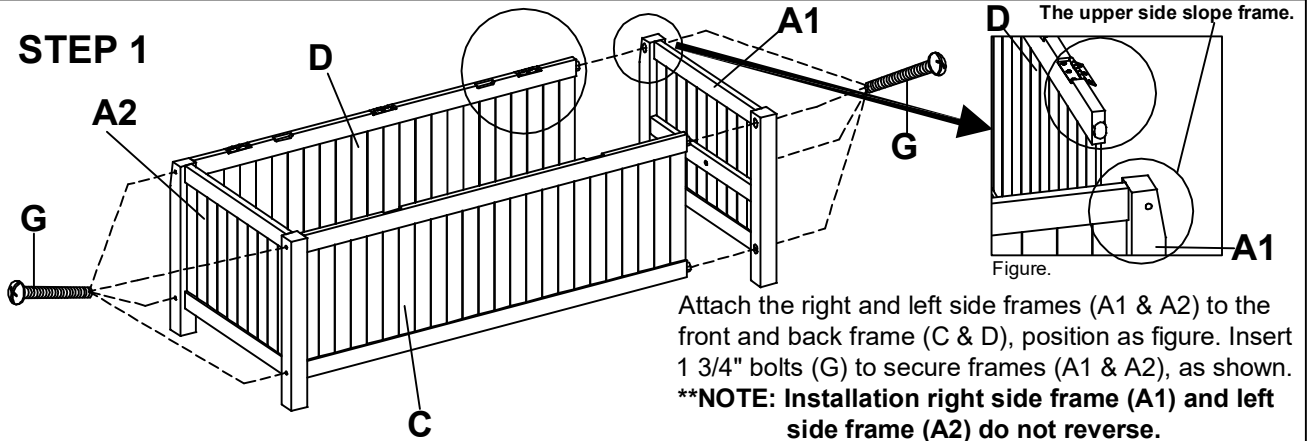


PARTS AND HARDWARE LIST

A1. Right side frame	A2. Left side frame	B. Top frame	C. Front frame
			
Qty: 1 pc	Qty: 1 pc	Qty: 1 pc	Qty: 1 pc
D. Back frame	E. Slatted base	F. 5/8" Screw	G. 1 3/4" Bolt
			
Qty: 1 pc	Qty: 1 pc	Qty: 9 pcs + 1	Qty: 8 pcs + 1
H. Wooden cap	I. 16 mm screw	J. Lid Support	K. Lid nut
			
Qty: 8 pcs + 1	Qty: 8 pcs + 1	Qty: 2 pcs	Qty: 2 pcs

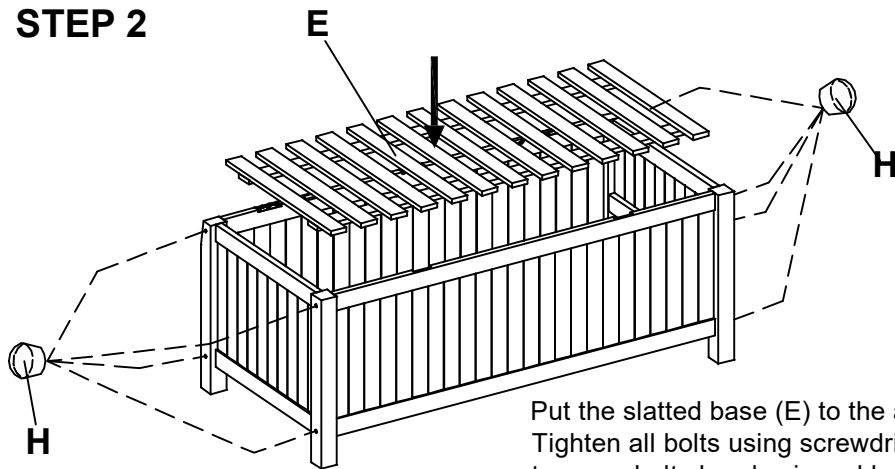
ASSEMBLY INSTRUCTIONS

STEP 1



Attach the right and left side frames (A1 & A2) to the front and back frame (C & D), position as figure. Insert 1 3/4" bolts (G) to secure frames (A1 & A2), as shown.
****NOTE: Installation right side frame (A1) and left side frame (A2) do not reverse.**
**** Do not tighten the bolts yet.**

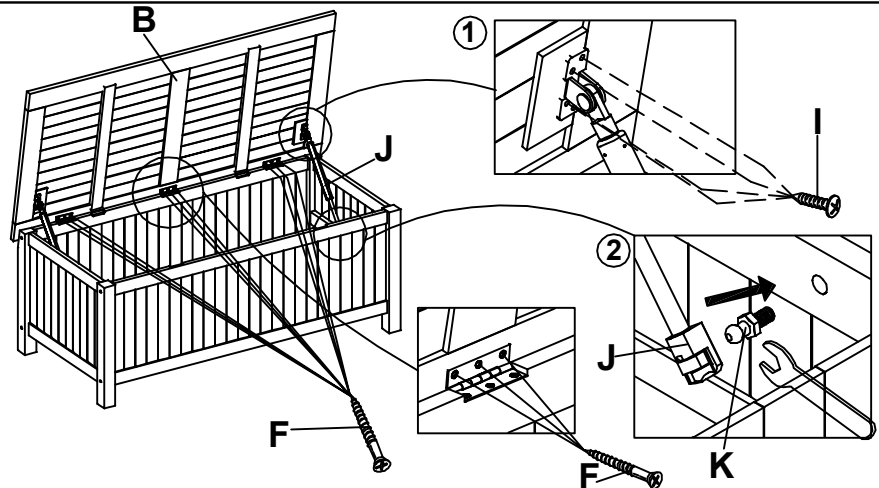
STEP 2



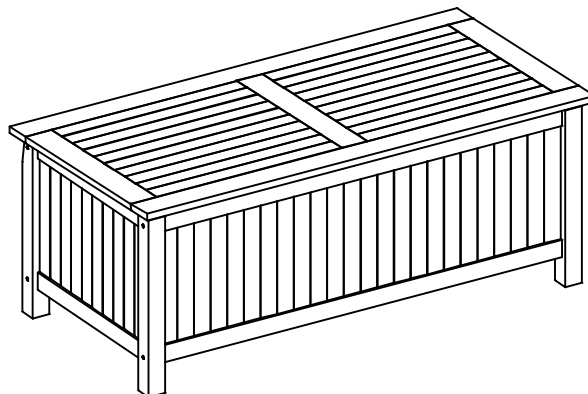
Put the slatted base (E) to the assembly from step 1, as shown. Tighten all bolts using screwdriver, tapping the wooden caps (H) to cover bolts head using rubber mallet.

STEP 3

Attach the top frame (B) to the assembly from step 2, secure with 5/8" screws (F) using screwdriver, position as shown. Then, attach lid support (J) into top frame (B), secure with 16 mm screws (I), as shown (figure 1). Next, attach lid nut (K) and lid bottom (J) to the right and left frame (A1 & A2), using wrench (figure 2).



STEP 4



THE STORAGE BOX IS NOW READY FOR USE.