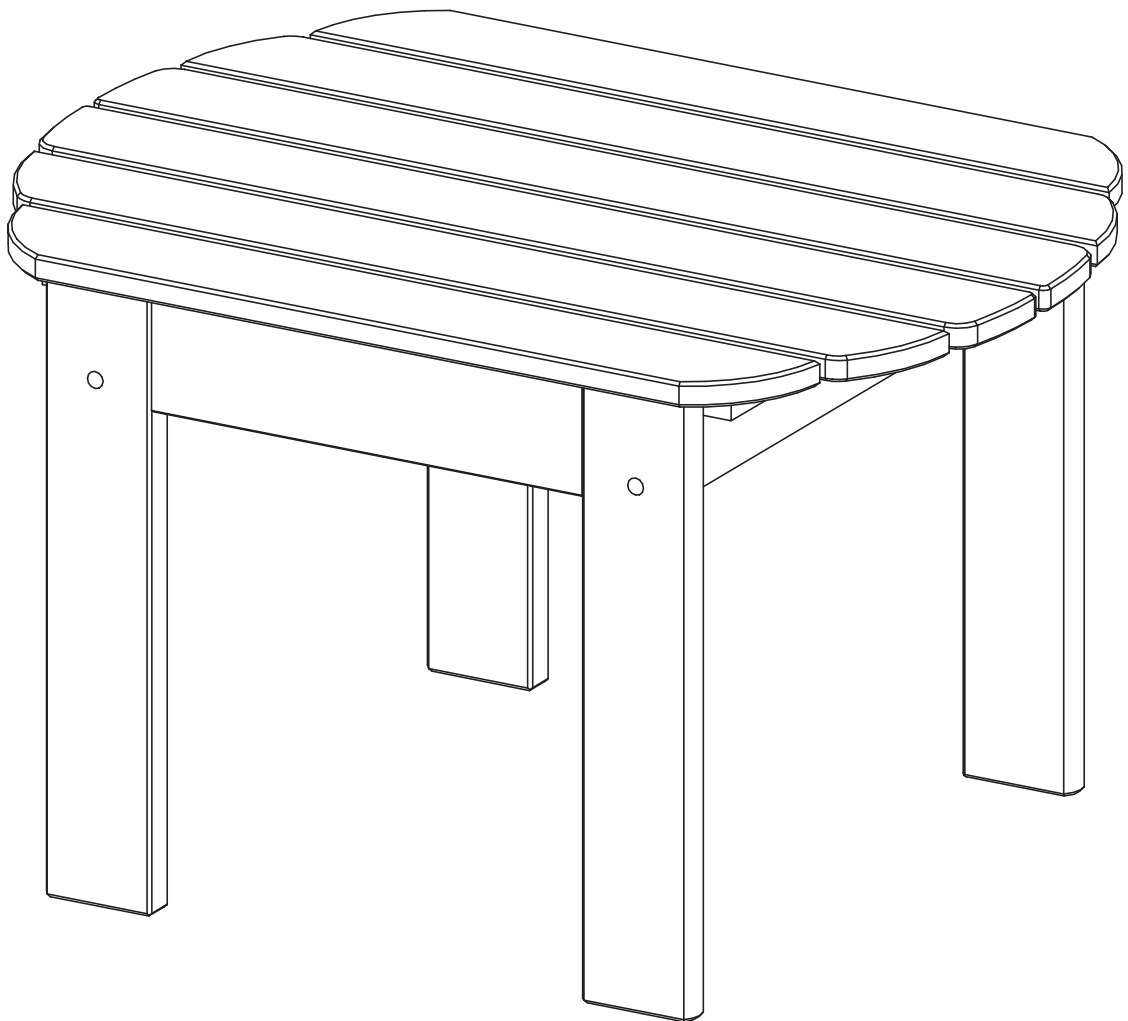


ASSEMBLY INSTRUCTIONS
TEAK ADIRONDACK SIDE TABLE
IT-180035T



CUSTOMER SERVICE INFORMATION

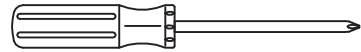
Please do not return to the store. If any pieces are missing call our toll free number at 1-888-287-4275 from 9:00 am to 5:00 pm CST (Monday to Friday) for replacement parts. For faster service, have the style number handy when calling.

GENERAL INFORMATION & TIPS

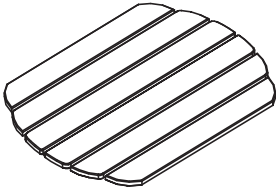
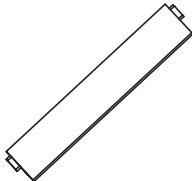
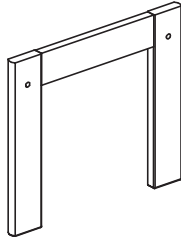
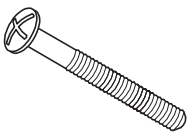
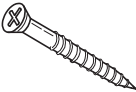
1. Please read the assembly instructions prior to assembling the table.
2. To avoid damage, assemble the table on a non-abrasive surface such as carpet.
3. Make sure all bolts and screws tightly fastened before the table is used.
4. This table is not for commercial use.

Please make sure you have all parts before beginning assembly. Please wait until all steps are completed before tightening bolts and screws.

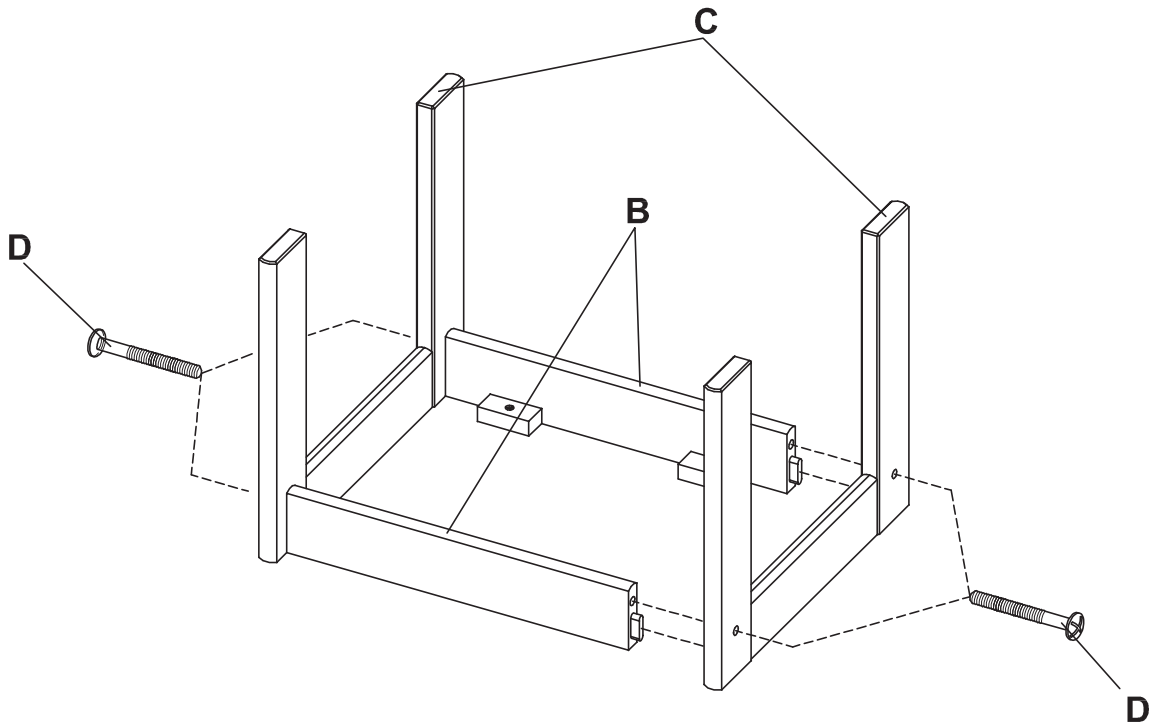
1. A Philips screwdriver is necessary for assembly.
It's not included in hardware list.



PARTS AND HARDWARE LIST

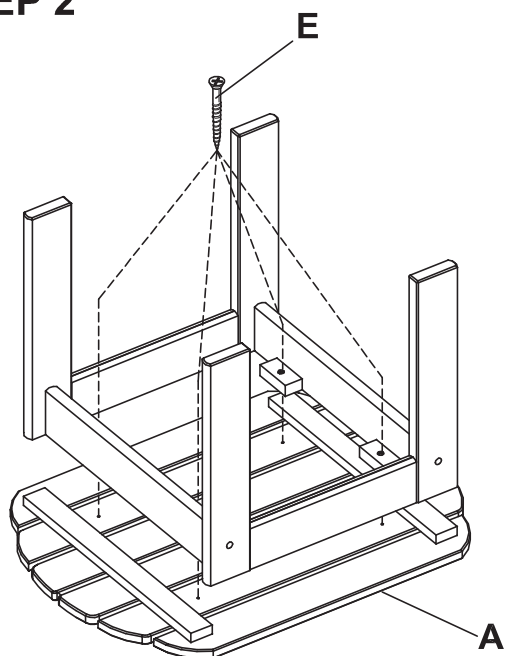
A. Top table	B. Apron	C. Leg frame	D. 1 1/4" BOLT
			
Qty : 1 Pc	Qty : 2 Pcs	Qty : 2 Pcs	Qty : 4 Pcs + 1
E. 1" SCREW			
			
Qty : 4 Pcs + 1			

STEP 1



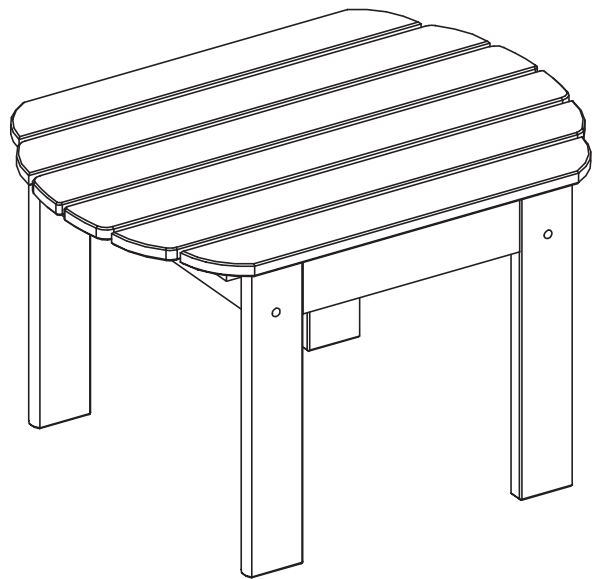
Attach apron (B) to leg frame (C) and secure each leg using 1 1/4" bolts (D).
Tighten all bolts using phillips screwdriver.

STEP 2



Place the assembly from step 1 onto table top (A).
Secure with 1" screws (E).
Tighten all screws using phillips screwdriver.

STEP 3



Turn the table side up.
CONGRATULATIONS !
THE SIDE TABLE IS NOW READY TO USE.