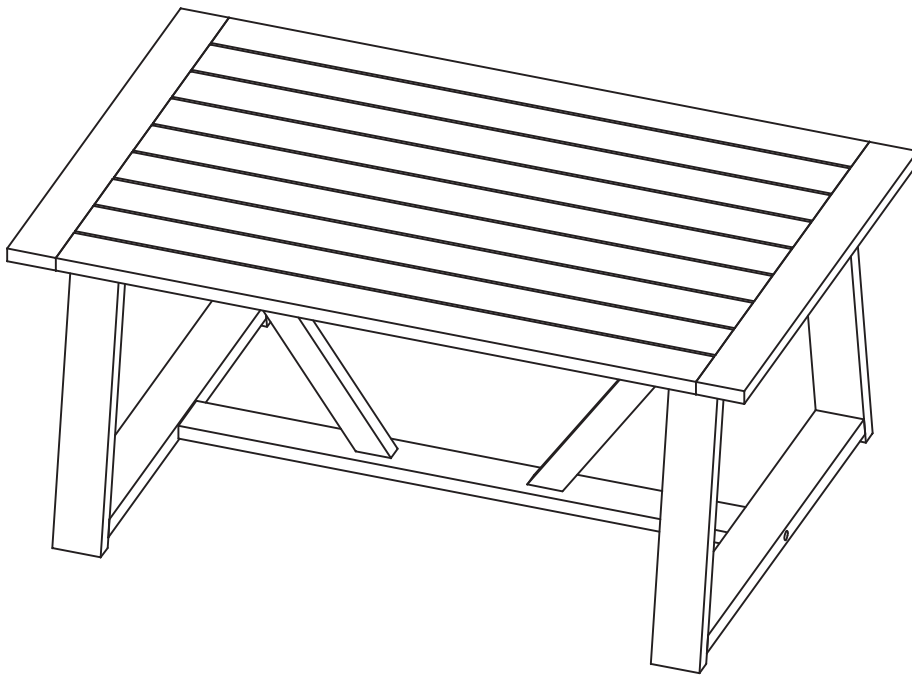


ASSEMBLY INSTRUCTIONS
TEAK COFFEE TABLE
IT-170685T



CUSTOMER SERVICE INFORMATION

Please do not return to the store. If any pieces are missing call our toll free number at 1-888-287-4275 from 9:00 am to 5.00 pm CST (Monday to Friday) for replacement parts. For faster service, have the style number handy when calling.

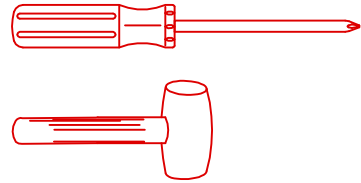
GENERAL INFORMATION & TIPS

1. Please read the assembly instructions prior to assembling the table.
2. To avoid damage, assemble the table on a non-abrasive surface such as carpet.
3. Make sure all nuts tightly fastened before the table is used.
4. This table is not for commercial use.

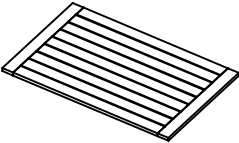
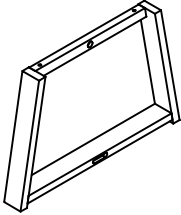
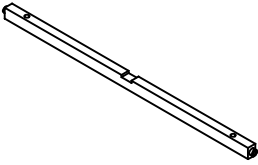
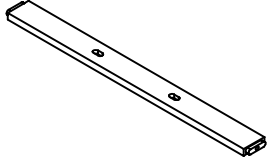
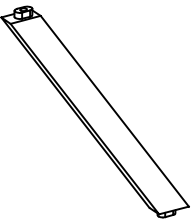
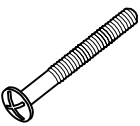
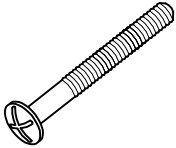
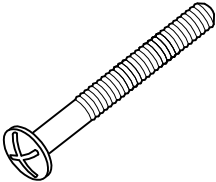
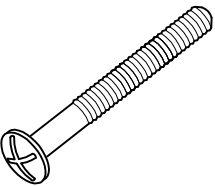

Please make sure you have all parts before beginning assembly. Please wait until all steps are completed before tightening bolts.

TOOLS REQUIRED :

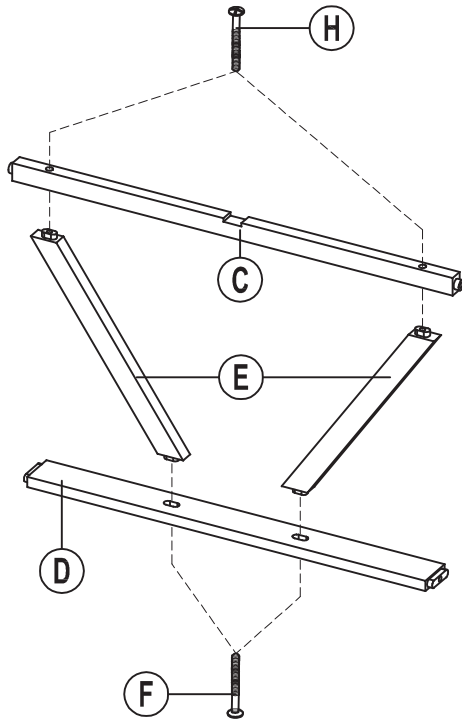
1. 8" Philips screwdriver (Not provided)
- For tightening all bolts and screws.
2. Rubber Mallet (Not provided)
- For tapping in the wooden caps.



PARTS AND HARDWARE LIST

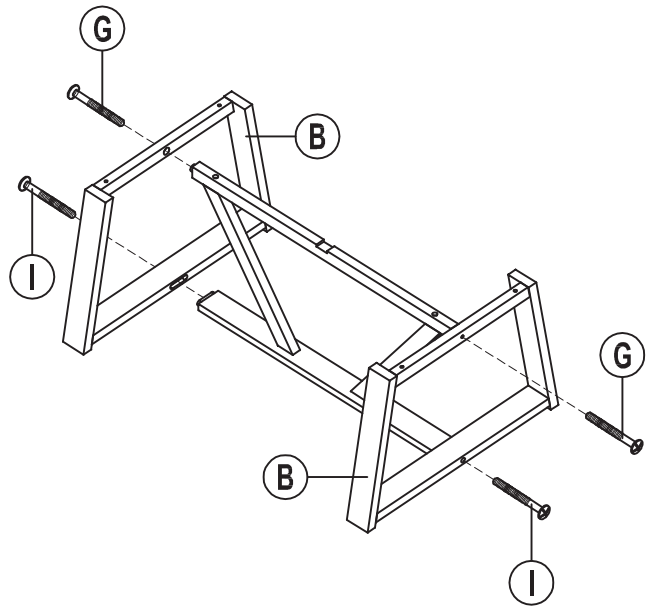
A. Top table	B. Leg	C. Top cross bar	D. Bottom cross bar
			
QTY: 1 pc	QTY: 2 pcs	QTY: 1 pc	QTY: 1 pc
E. Middle cross bar	F. 1" Bolt	G. 1 1/4" Bolt	H. 1 1/2" Bolt
			
QTY: 2 pcs	QTY: 2 pcs + 1	QTY: 2 pcs + 1	QTY: 6 pcs + 1
I. 2 3/4" Bolt	J. Wooden cap		
			
QTY: 2 pcs + 1	QTY: 2 Pcs + 1		

STEP 1



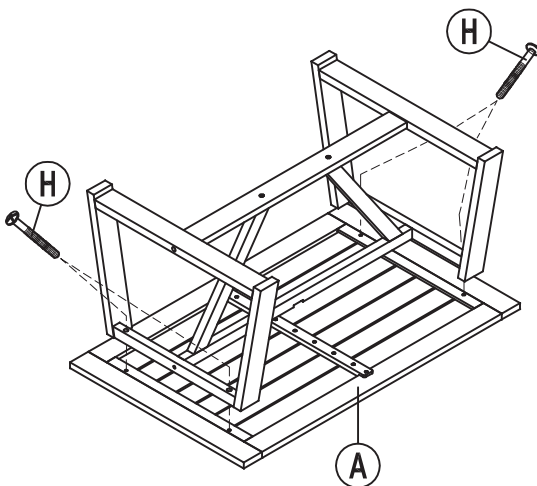
- Attach Middle cross bar (E) into Bottom cross bar (D) and secure with 1" bolt (F) as shown.
- Attach Top cross bar (C) into pre-assembled Middle Cross Bar (E) and Secure with 1 1/2" (H) as shown.

STEP 2



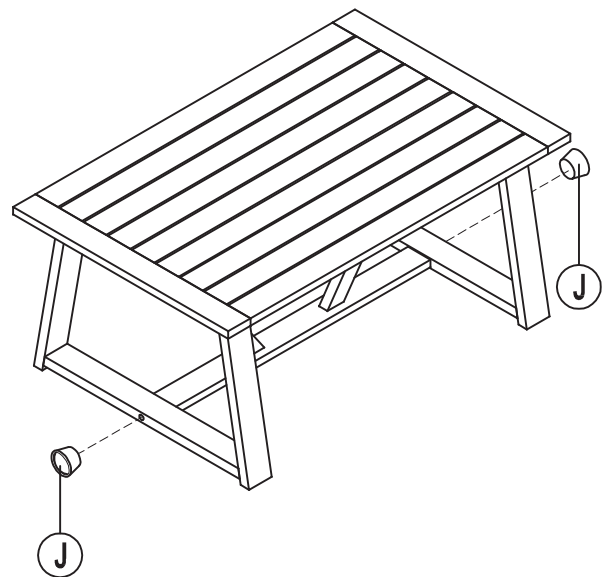
- Attach Leg (B) into assembled part from step-1..
- Secure with 1 1/4"bolts (G) on top frame leg and secure with 2 3/4" (I) on bottom frame leg.

STEP 3



Attach the table top (A) into assembled part from step-2 and secure with 1 1/2" bolt (H).

STEP 4



- Make sure all parts are correctly connected and tighten all bolts using screwdriver before use.
- Tapping in wooden caps (J) to cover bolts head using rubber mallet.

CONGRATULATION !

THE TABLE IS NOW READY FOR USE.