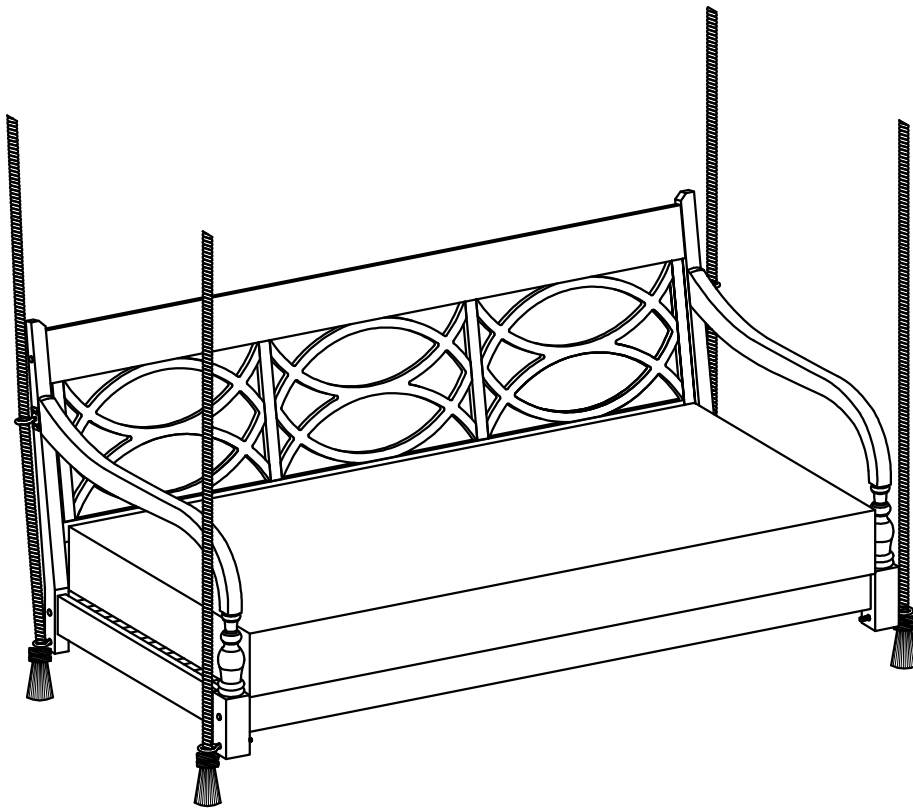


ASSEMBLY INSTRUCTIONS
DAYBED SWING WITH CUSHION
IT-130970



CUSTOMER SERVICE INFORMATION

Please email us at info@cambridge-casual.com for assembly tips, report damage, or request parts.
For faster response, please write down item number, code for missing parts,
attach the purchase receipt and picture of damaged parts.

GENERAL INFORMATION & TIPS

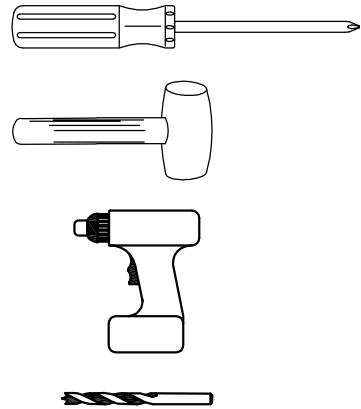
1. Please read the assembly instructions prior to assembling the Swing.
2. To avoid damage, assemble the swing on a non-abrasive surface such as carpet.
3. Make sure all bolts tightly fastened before the table is used.
4. This swing is not for commercial use.

Please make sure you have all parts before beginning assembly. Please wait until all steps are completed before tightening bolts.

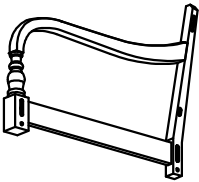
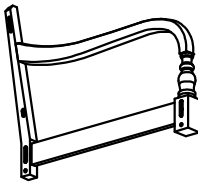
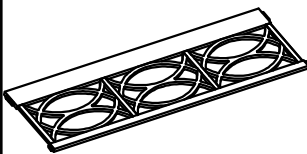
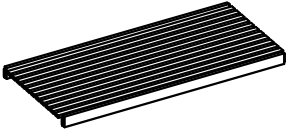

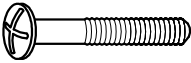


This swing requires drilling into and hanging hardware from ceiling joists. If you are not comfortable or are unsure of your ability to complete this project, hire a professional contractor or handyman.

TOOLS REQUIRED




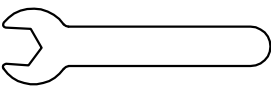

1. 8" Philips screwdriver (Not provided).
- For tightening all bolts and screws.
2. Rubber Mallet (Not provided).
- For tapping in the wooden caps.
3. Cordless Drill or Electric Drill (Not provided).
- For drilling holes in the ceiling.
4. 9mm Drill Bit (Not provided).
- For drilling holes in the ceiling.



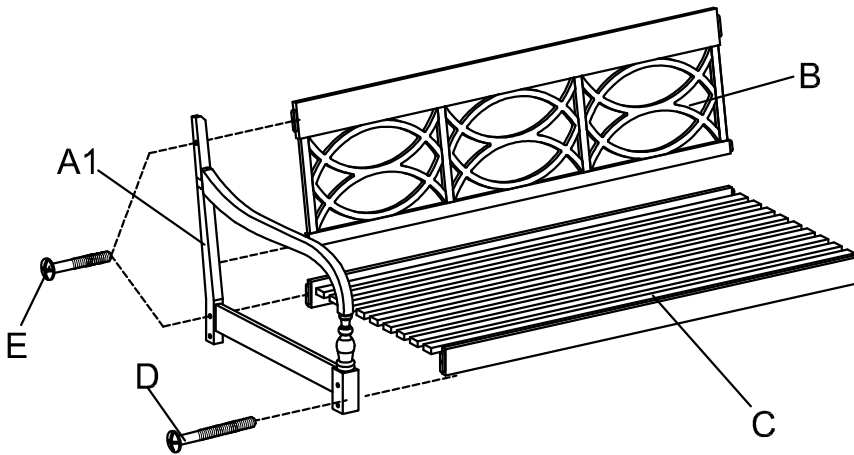
PARTS AND HARDWARE LIST

A1. Right side frame	A2. Left side frame	B. Backrest	C. Seat
			
Qty : 1 Pc	Qty : 1 Pc	Qty : 1 Pc	Qty : 1 Pc
D. 2 1/4" Bolt	E. 1 1/4" Bolt	F. Nut	G. Washer
			
Qty : 2 Pcs + 1	Qty : 4 Pcs + 1	Qty : 4 Pcs + 1	Qty : 4 Pcs + 1

PARTS AND HARDWARE LIST

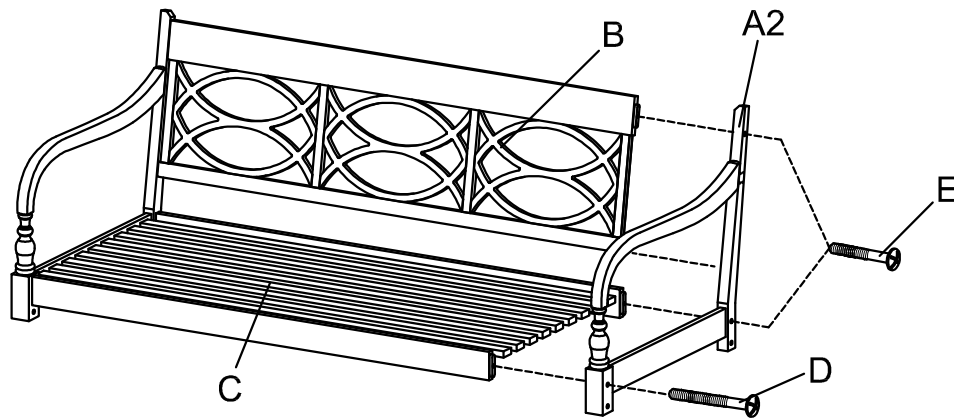
H1. Backrope with ring	H2. Front rope	I. Wooden Cap	J. Wrench
			
Qty : 2 Pcs	Qty : 2 Pcs	Qty : 6 Pcs + 1	Qty : 1 Pc
K. 7/8" Screw			
			
Qty : 8 Pcs + 1			

STEP 1



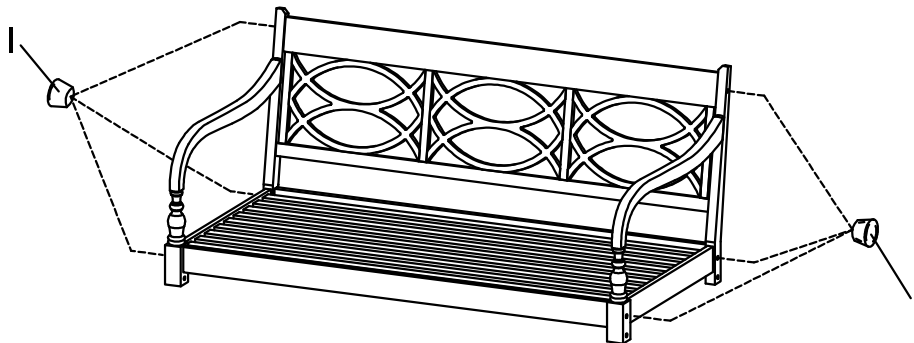
Attach backrest (B) and seat (C) to right side frame (A1). Secure front part of Seat (C) with 2 1/4" bolt (D) and secure backrest (B) and back part of seat (C) with 1 1/4" bolt (E).

STEP 2



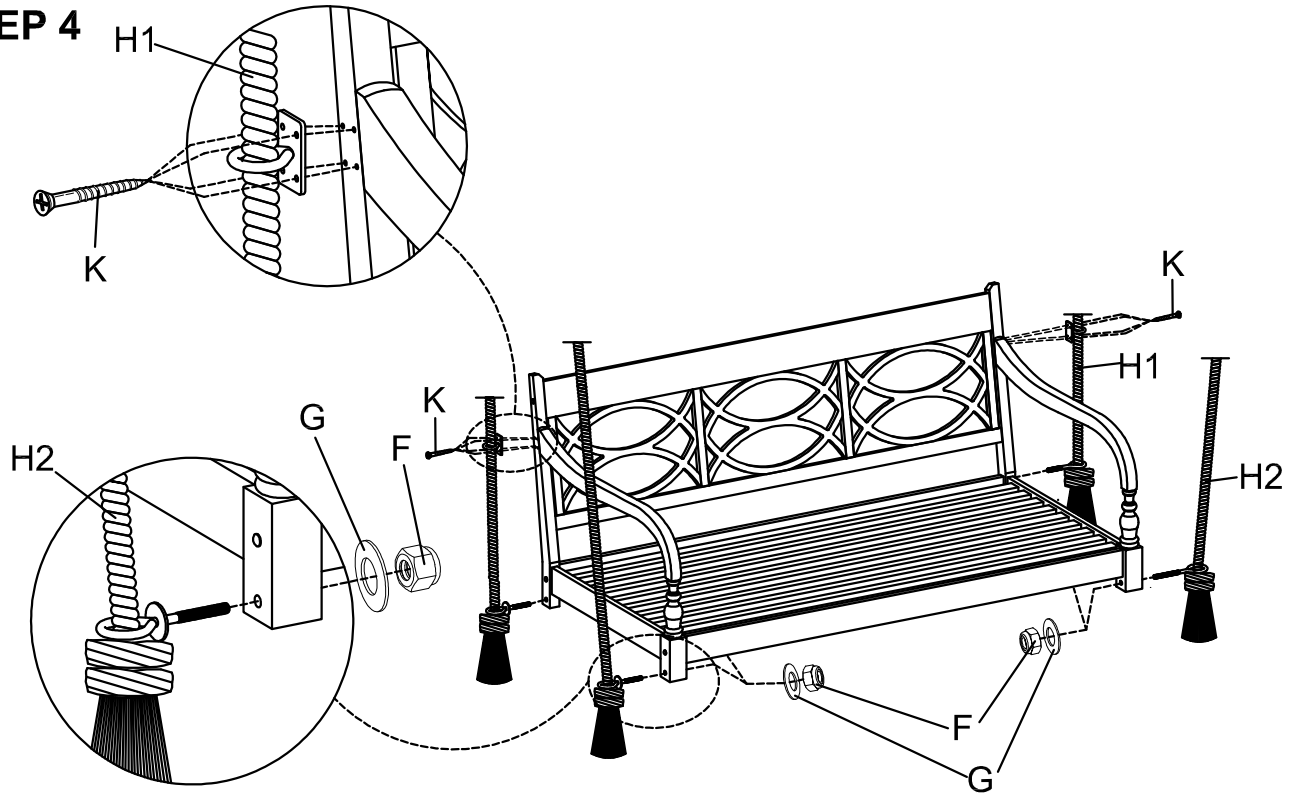
Attach Left side frame (A2). Secure front part of seat (C) with 2 1/4" bolt (D), then secure backrest (B) and back part of seat (C) with 1 1/4" bolt (E).
Tighten all bolts using screwdriver.

STEP 3



Tap wooden caps (I) into place with a rubber mallet.

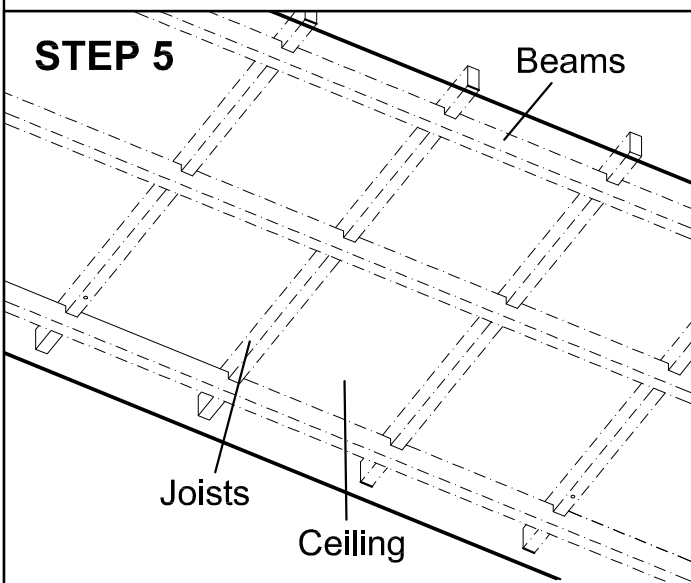
STEP 4



Attach front rope (H2) to the front of the left & right side frame (A1 & A2). Attach back rope with ring (H1) to the back of the left & right side frame (A1 & A2) using Screw (K). Secure rope hardware to daybed with washer (G) and nuts (F). As shown.

Tighten all screws and nuts completely using screwdriver.

STEP 5



How to install

The swing is 67" wide

Decide where to hang your swing.

Locate the ceiling joists (studs) that line up closest to the rope hole dimensions of your swing.

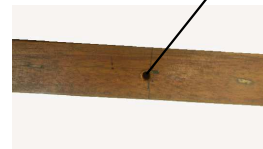
Most ceiling joists will not line up perfectly with the swing hole points, this is normal.

In other words when the holes on the swing are spaced at 75 inches apart, the closest joists will likely be spaced at 80".

(we recommend going with the wider spacing so that the rope of chain does not rub against the sides of the swing).

STEP 6

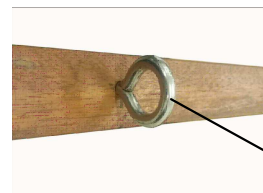
Ø9 Drilled hole



Pict. A



Pict. B



Pict. C

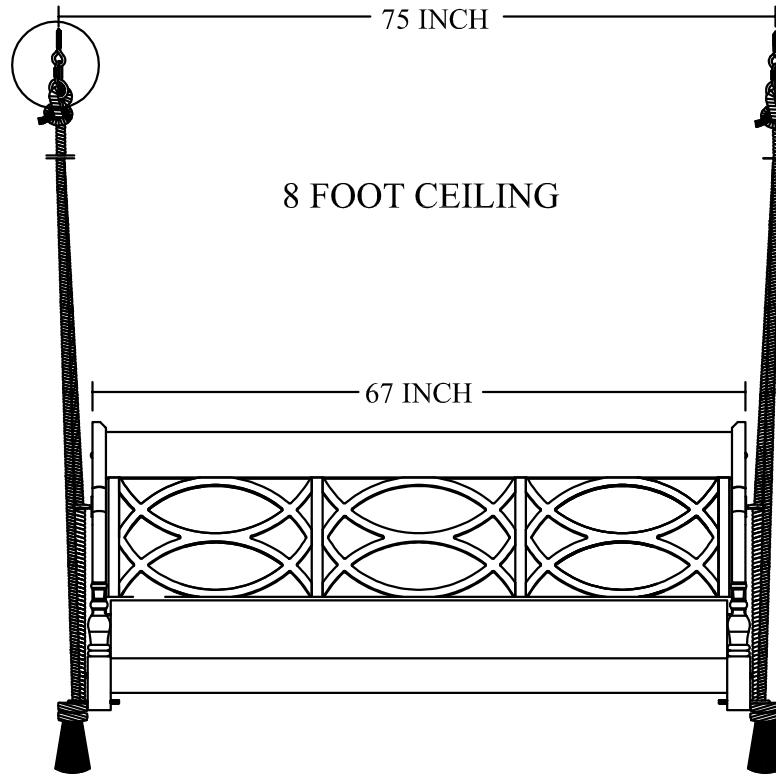
Hanger screw

Decide front screw location, then Pre-drill a hole in the center of the joist, use a Ø9mm drill bit (pict. A), (if you have a ceiling or cannot access the joists, please contact a licensed contractor or handyman to install your hooks).

Install the hanger screw by hand until the threading is out of sight (pict. C).

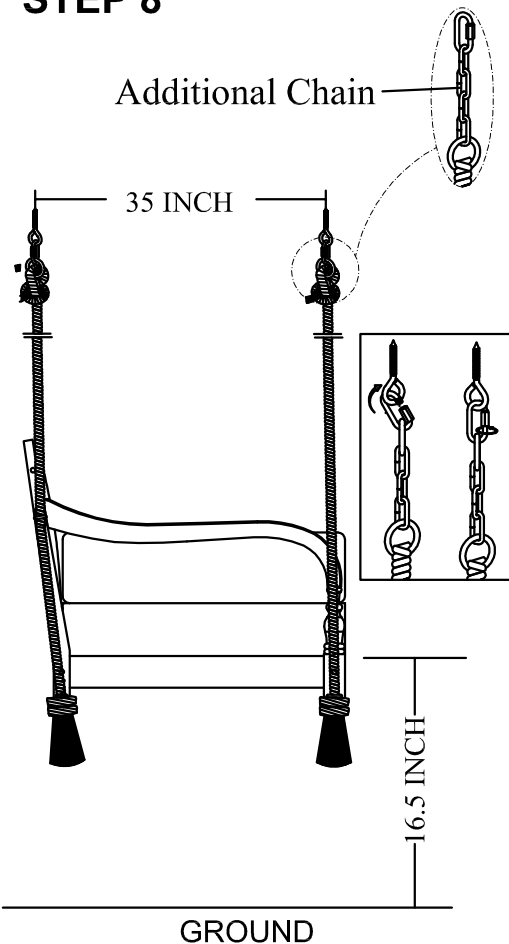
Use screwdriver for more leverage if needed (pict. B).

STEP 7



Attach the front hanger screws allowing beyond the actual swing length (67 inches), then attach the rear hanger screw with a distance of 35 inches to the back from the front hanger screw. The next step, install the hanger screw by hand until the threading is out of sight. Use a screwdriver for more leverage if needed.

STEP 8



To hang up the swing
How to hang the daybed swing

Before hanging the daybed swing, test the hanger screw strength by hanging weight. Make sure hanger screw is secured.

Set the swing down on the ground under the swing hangers. Have someone lift one side of the swing and link the carabiner onto the hanger screws. Next, follow the same step for the other side. Make sure the swing is level.

Adjust the swing to your comfort, making sure it is level. Recommended height is 16.5 inch from the bottom of the seat to the ground.

We provide additional chain (optional) to adjust the distance from the ceiling accordingly

NOTICE :

Install not less than 6 feet from any obstruction such as fence, garage, house, over hanging branch laundry lines or electrical wire.

Check the ceiling for any signs of cracking or warping. If you notice any damage, remove your swing and consult a professional contractor or structural architect.

CARE MAINTENANCE

Due to teak wood's natural characteristics, wood color and grain variations may be present. This is a symbol of the originality of each unit and gives each finished piece a distinctive look and inherent charm.

UNFINISH NATURAL TEAK WOOD

Teak Wood, when left bare and unfinished, will naturally fade to a silver-gray color. This transformation does not in any way affect the functionality and durability of the furniture.

It is recommended to sand the furniture in regular interval to maintain a smooth finish. This will also reduce the potential in wood splinter and other hazard. For customer who would like to maintain the original golden-brown color, one may best apply teak oil or other compatible clear protective coating. Please follow the recommendation of the protective coating manufacturer in both application and the frequency.

Teak wood is a living material that breathe and change over time. If you choose to maintain the smooth golden-brown finish, it will require regular maintenance, such as sanding and reapplication of protective coating. We hope that will be a rewarding experience, as a well-maintained teak furniture may last many years to come.

Please note, once you stain your teak, it will not return to the natural golden brown or weathered silver-gray color without sanding off the stain. Staining is intended to be permanent. If you choose to stain your furniture after it has turned silver-gray, you must first sand it before applying the stain.

FINISHED TEAK WOOD

Finished Teak Wood may be maintained with solvent-based polyurethane protective coating every six (6) months, or as suggested by the protective coating manufacturers.

For everyday maintenance, you may clean with mild detergent using clean cloth. Please do not expose and/or use any chemical solvent.

FINISHED WOOD

- a. Recommend for every period of 6 months to apply water-based mild detergent for wood using clean cloth.
- b. Do NOT expose to chemical solvent

CUSHIONS

Our fabrics are designed to be breathable. They are water resistant but not waterproof. It is recommended that you store and remove the cushions when not in use or during severe weather condition. The cushion and cushion cover shall be removed and air dried if it is soaked after heavy rain, so we may avoid the potential mold issue.

The best way to keep your fabrics looking good is to clean them. It is recommended to clean off dust and dirt periodically, wipe spills as soon as they occur, and spot clean soon after stains occur. Removable cushion covers may be machine-washed in cold water with mild laundry soap and air dried.

SYNTHETIC RATTAN AND WOVEN POLYROPE

To clean, use mild soap and clean water - wipe off the dust or spills using clean cloth (Do NOT use brush). Dry thoroughly with soft cloth or air dried. Do NOT expose to chemical solvent.

Other Tips:

- Do not put hot items directly on furniture surface.
- Do not store furniture in areas that have central heating or cooling vents to prevent excessive drying of the wood. This will decrease the furniture's longevity.
- Do not write on furniture without a padded barrier to protect the surface.
- Do not leave your furniture in puddles of water or on wet ground.
- Cover your furniture during winter months or move into covered storage.

The manufacturer supports protection of the world's forest resources and is diligent in sourcing legally harvested wood.

1 Year Limited Warranty

This warranty is a limited warranty. Regular care and maintenance are required to maintain the warranty. Warranty is to the original purchaser when items are purchased from one of our authorized retailers and is not transferable. If a product fails and is under the terms of our limited warranty, the item will be replaced with a small fee when applicable. In the case of discontinued models, an item of similar quality and style will be offered to the customer.

- 1 Year Limited Frame Warranty:

Wood frames are warranted to be free from structural defects (i.e., broken frame) in material and workmanship. Wood frames require user maintenance and changes in the color of wood are normal and should be expected to occur over time as the natural material ages. Therefore, natural fading and changes in wood frames is not covered by this warranty. Components such as chair feet are meant to wear and tear, so they will not be considered as part of the frame.

- Finish, when applicable:

The finish is warranted against peeling, cracking, or blistering for a period of 1 year, provided the unit has not been scratched or abraded. Scratches and dents resulting from normal wear and tear are not covered.

- Fabric

Fabrics and cushions are warranted to be free from workmanship or material defects, which includes failures in stitching, zippers, sling rails, cording, buttons, cushion foam, or other areas of workmanship. The fabric and cushion will not be warranted if deterioration, discoloration, fading, etc., is due to exposure of chemicals, cleaning products, sun lotions, oil spills, improper maintenance process, or extreme heat.

Warranty Exclusions:

Furniture used for commercial, contractor or any non-residential purposes | clearance items, display models, or items purchased "as is" | failure caused by unreasonable or abusive use, freight damage, acts of nature, vandalism, fire, lack of proper care and maintenance, or improper assembly | exposure to severe weather includes, but not limited to, snowstorm, hail, heavy rainfall, flooding, hurricane, and extreme heat | accidental damage, repair, or modifications by customer | straps and fabric against fading or discoloration from improper and/or accidental exposure to elements, oil spills, fluids or chemicals | hardware against corrosion or rusting | buckling or splitting of tubing resulting from exposure to water and freezing temperatures.

Further excluded: normal wear and tear | loss of use or time | inconvenience, money, travel, packaging or any other consequential or incidental damages.

In no event shall the manufacturer's responsibility exceed the value of the product.

The warranty starts on the date of purchasing unless otherwise noted. However, we may consider for special circumstance.

For quality control purposes and verification, we need documents in support of your claim:

- Packing slip / Invoice
- Additional documents (Photos or video) of damaged/ defected/ missing part
- Item number and part code (can be found on assembly instruction)

Please include the above-mentioned documents as your claim **WILL NOT BE PROCESSED** until properly supported. **Retain all damaged goods until the claim is concluded.**

The terms of this warranty are subject to change without notice.