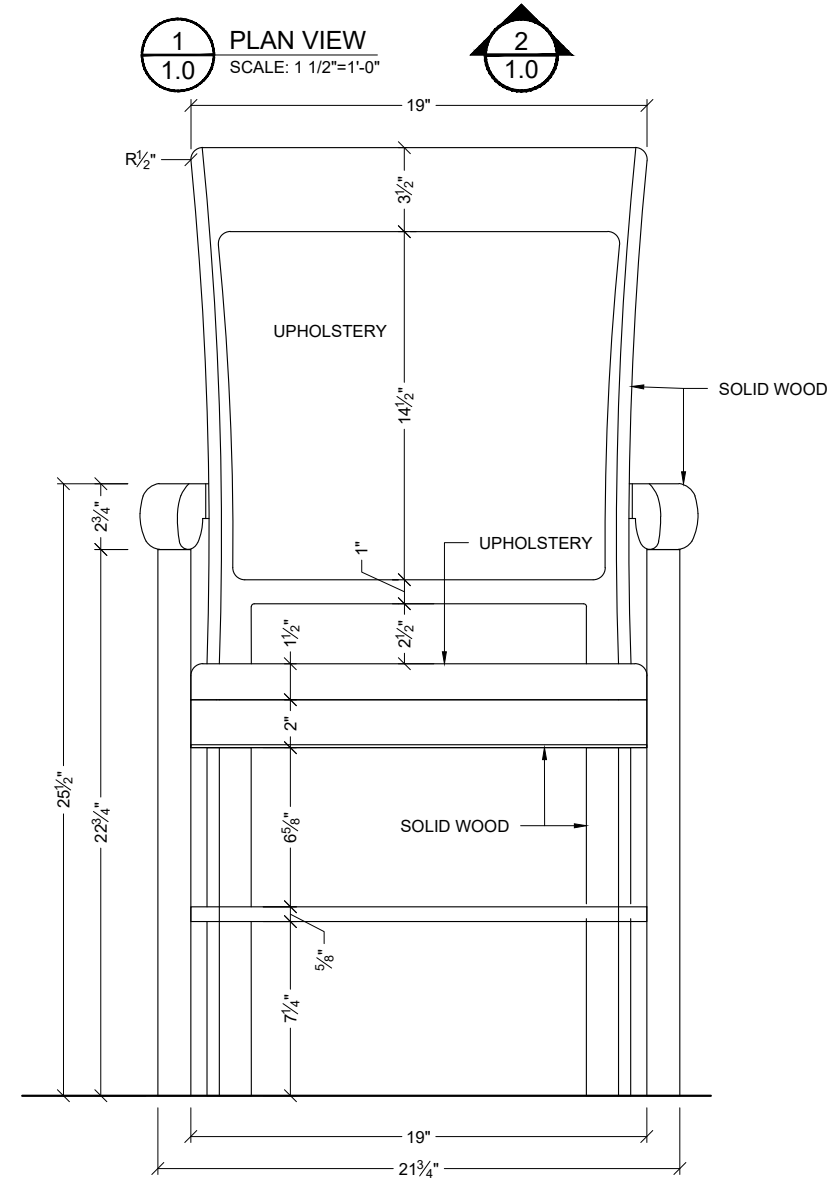
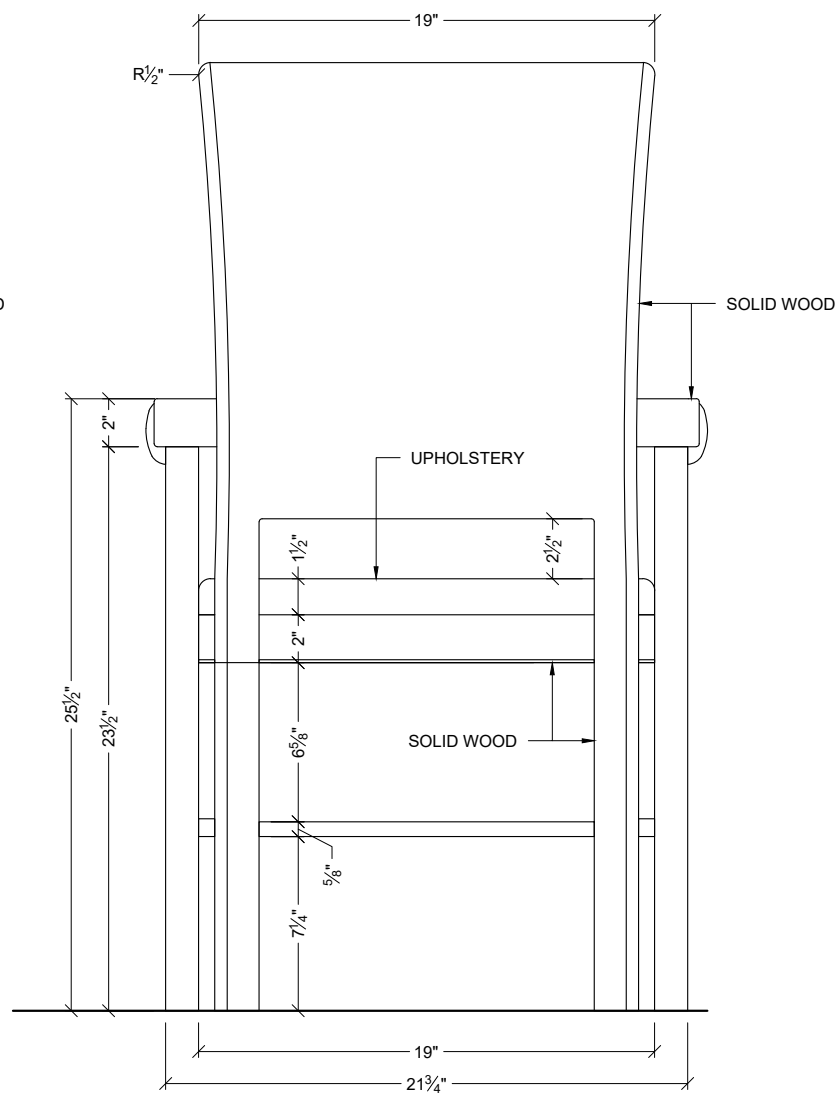


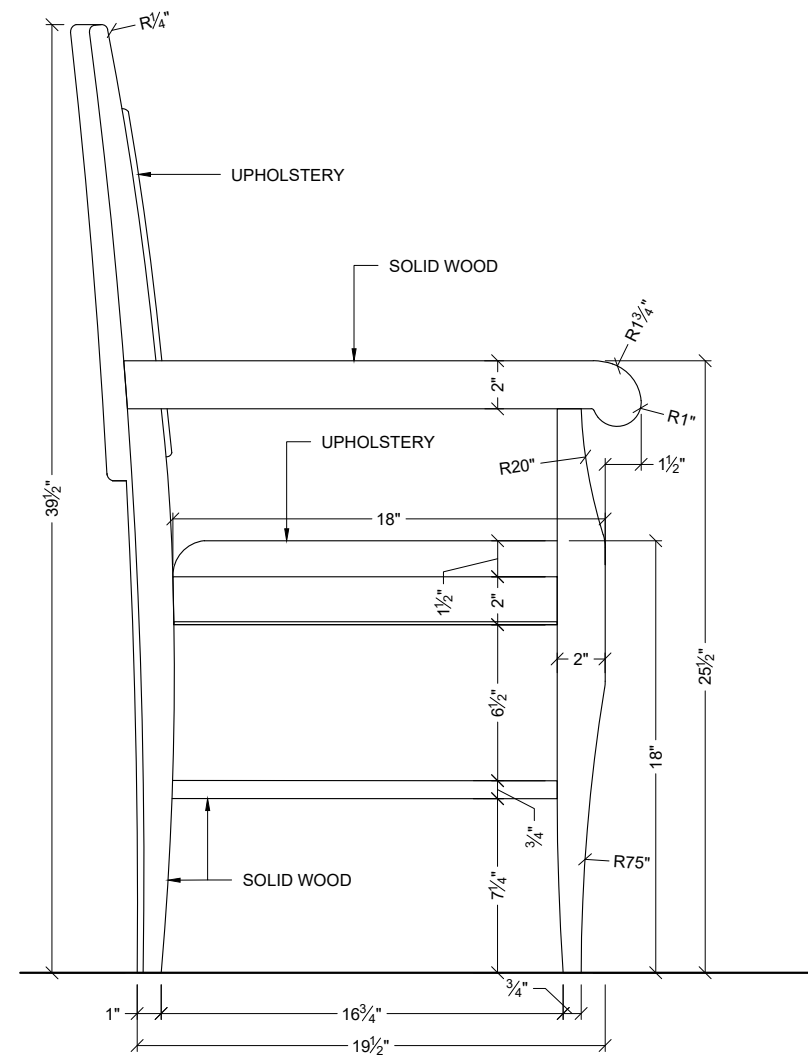
1 PLAN VIEW
1.0 SCALE: 1 1/2"=1'-0"



2 FRONT VIEW
1.0 SCALE: 1 1/2"=1'-0"



3 BACK VIEW
1.0 SCALE: 1 1/2"=1'-0"



4 SIDE VIEW
1.0 SCALE: 1 1/2"=1'-0"

Unit K 7004 5th Street SE
Calgary, Alberta T2H2G3
Tel: 403-253-3234 Ext 2
Fax: 403-640-2985
www.adriachairs.com



DRAWING NAME
SIERRA ARM

PROJECT #

DATE
2/6/2020

DRAWN BY
ArchiCGI

PAGE #
1.0