

Unit K 7004 5th Street SE
Calgary, Alberta T2H2G3
Tel: 403-253-3234 Ext 2
Fax: 403-640-2985
www.adriachairs.com



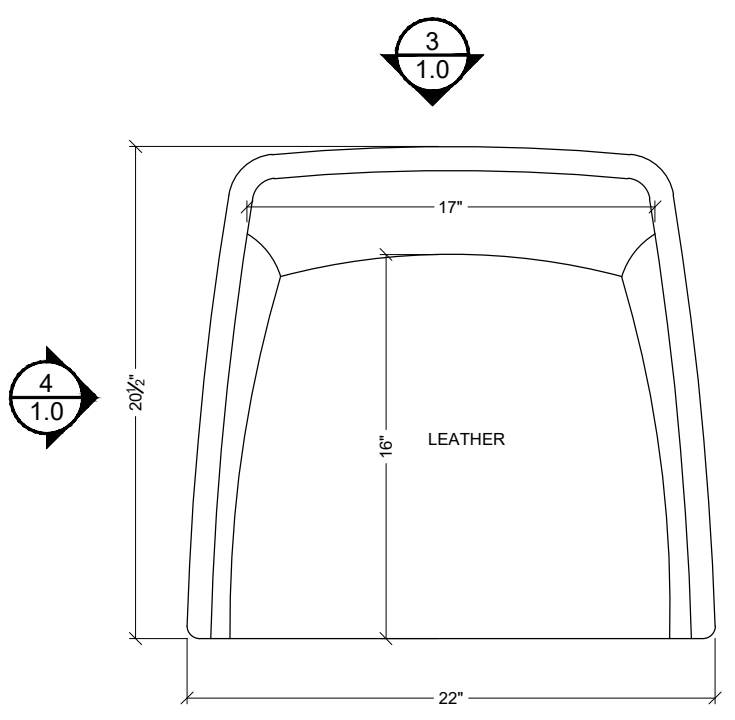
DRAWING NAME
NATHAN CHAIR

PROJECT #
-

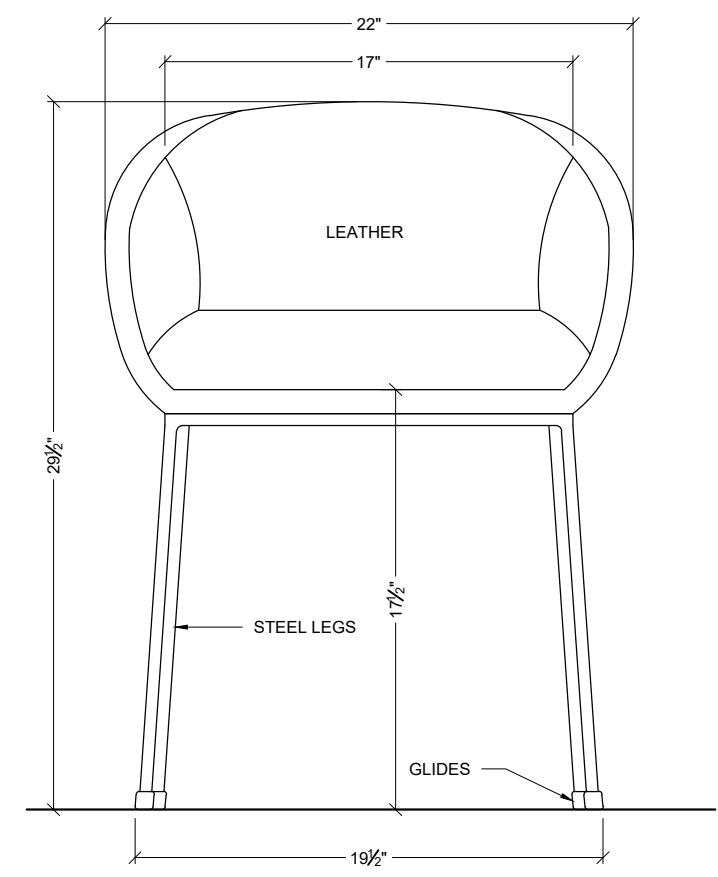
DATE
3/22/2020

DRAWN BY
ArchiCGI

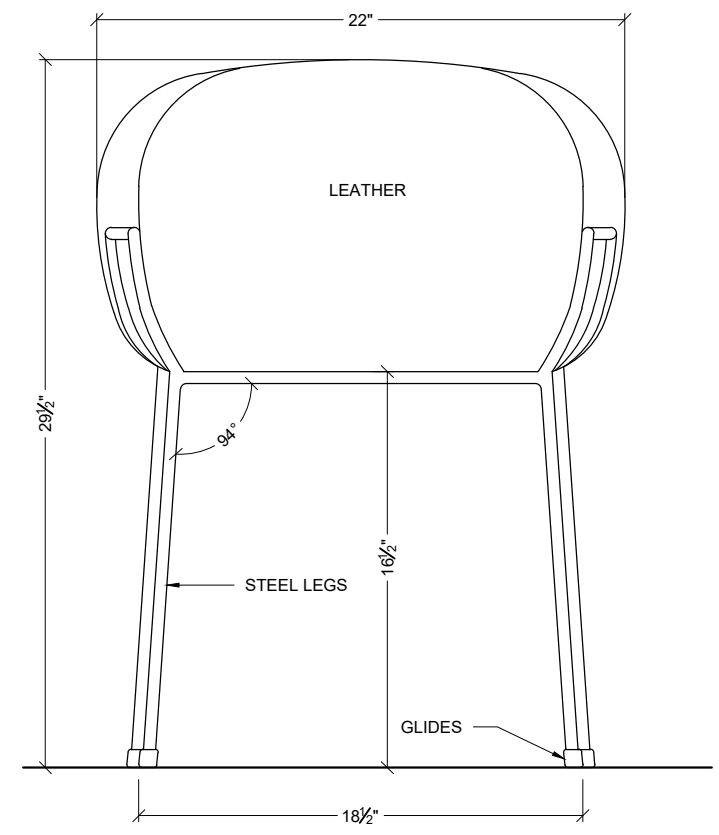
PAGE #
1.0



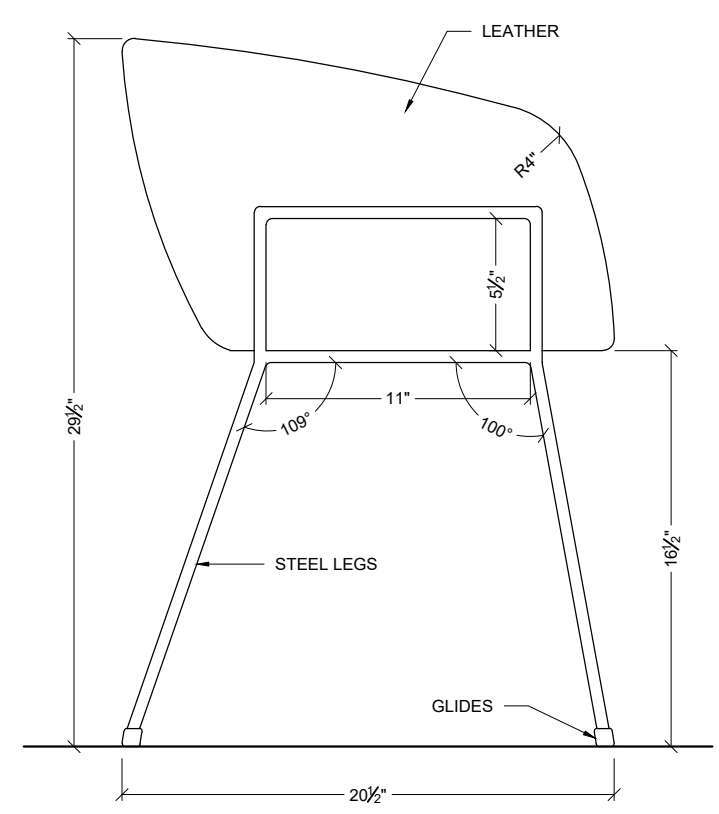
1
1.0 **PLAN VIEW**
SCALE: 1 1/2"=1'-0"



2
1.0 **FRONT VIEW**
SCALE: 1 1/2"=1'-0"



3
1.0 **BACK VIEW**
SCALE: 1 1/2"=1'-0"



4
1.0 **SIDE VIEW**
SCALE: 1 1/2"=1'-0"