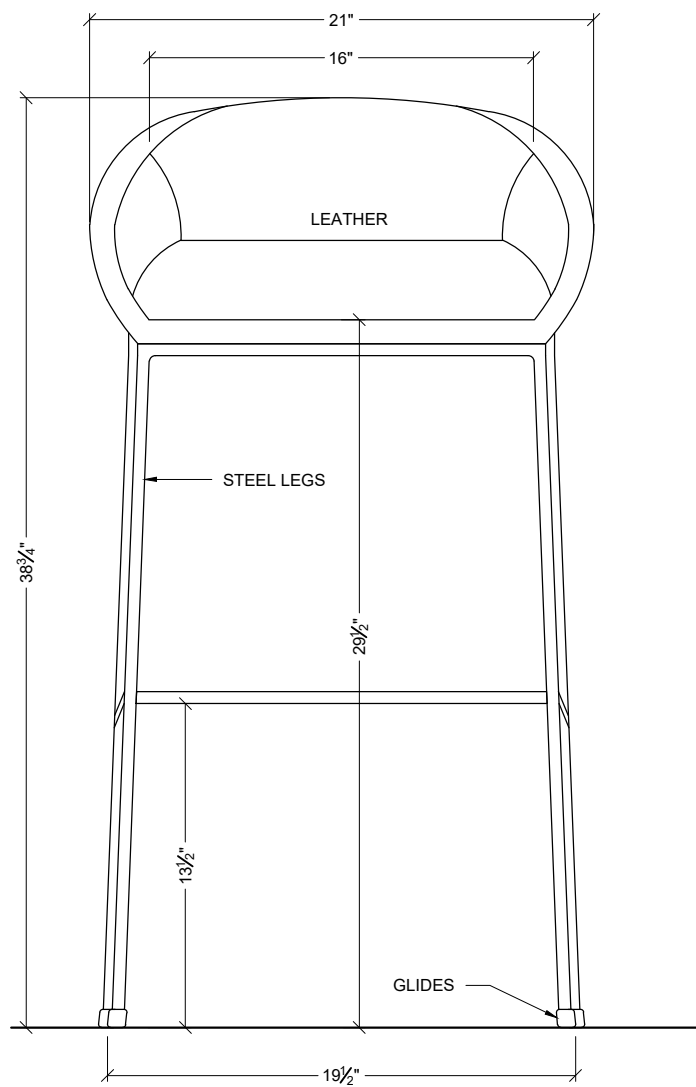
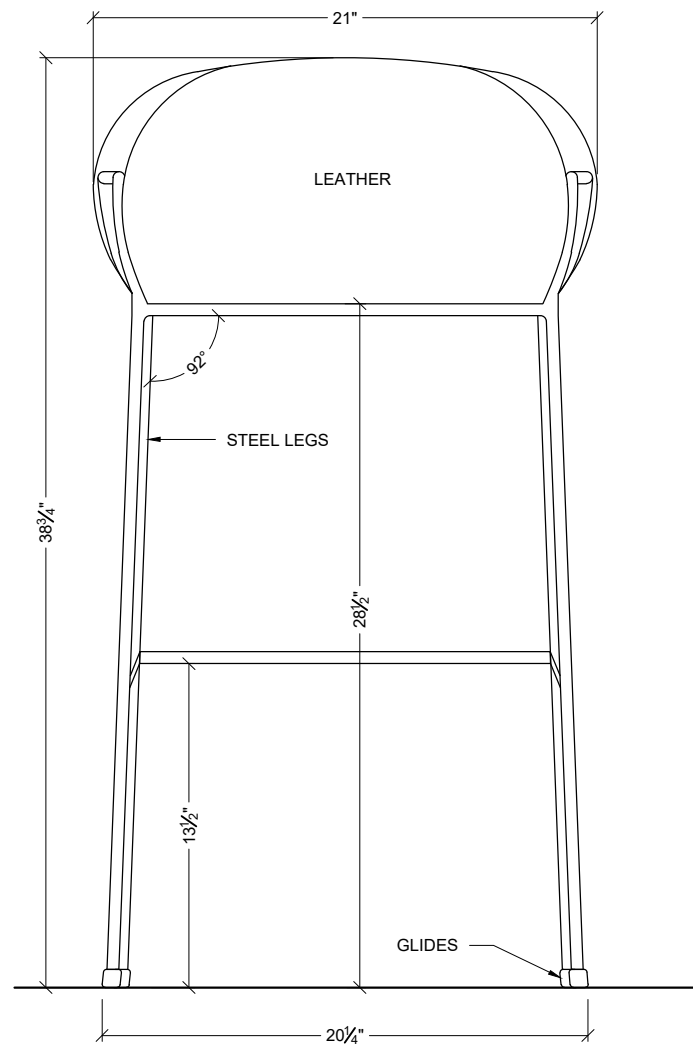


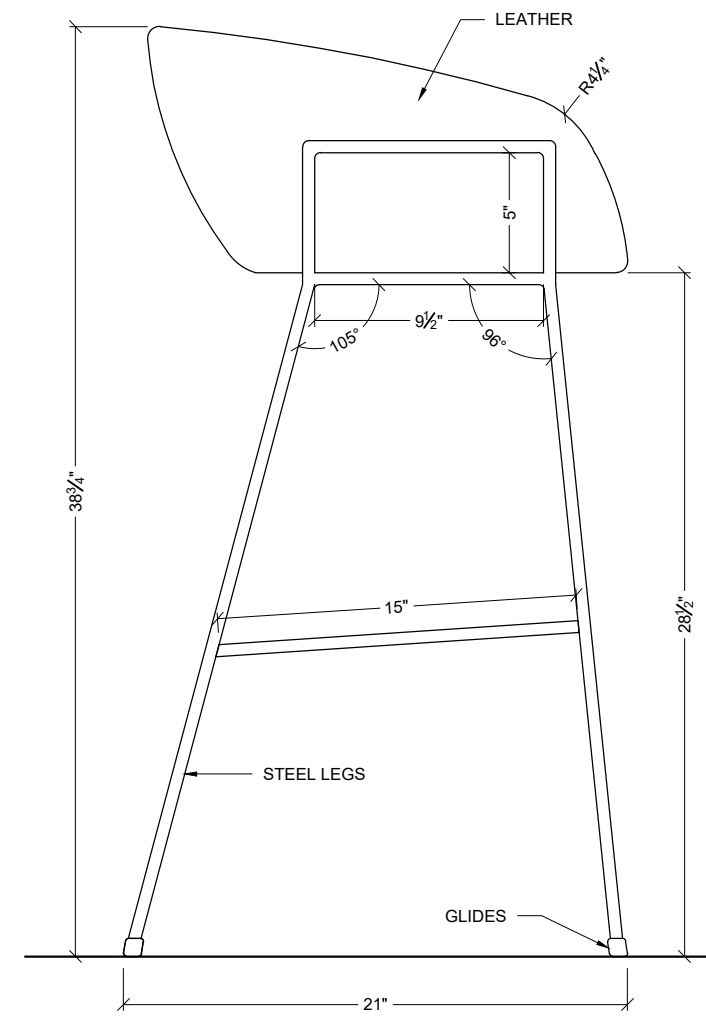
1 PLAN VIEW  
2.0 SCALE: 1 1/2"=1'-0"



2 FRONT VIEW  
2.0 SCALE: 1 1/2"=1'-0"



3 BACK VIEW  
2.0 SCALE: 1 1/2"=1'-0"



4 SIDE VIEW  
2.0 SCALE: 1 1/2"=1'-0"

Unit K 7004 5th Street SE  
Calgary, Alberta T2H2G3  
Tel: 403-253-3234 Ext 2  
Fax: 403-640-2985  
www.adriachairs.com



DRAWING NAME  
NATHAN BARSTOOL

PROJECT #

-

DATE  
3/22/2020

DRAWN BY  
ArchiCGI

PAGE #  
2.0