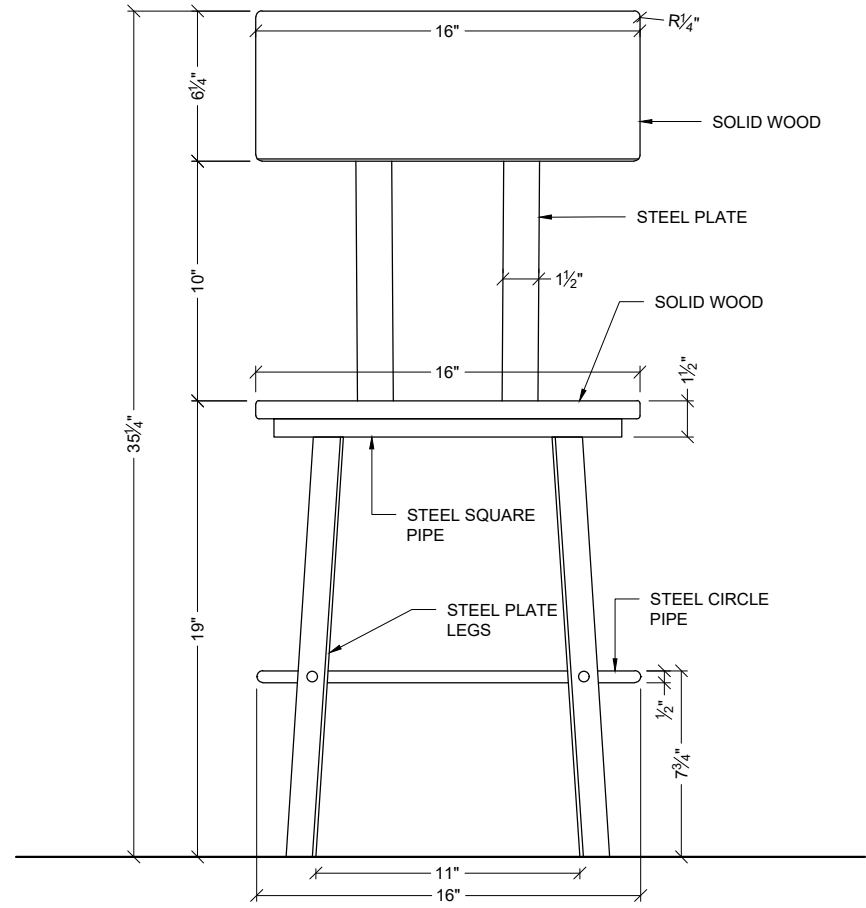
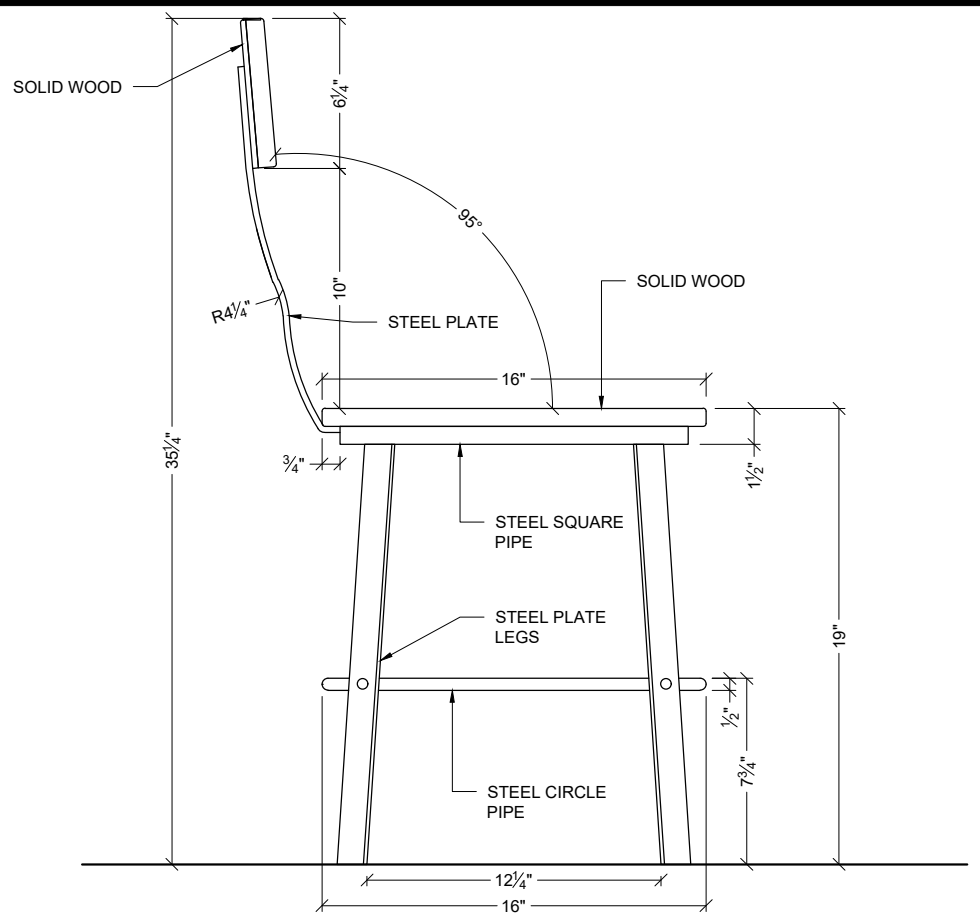


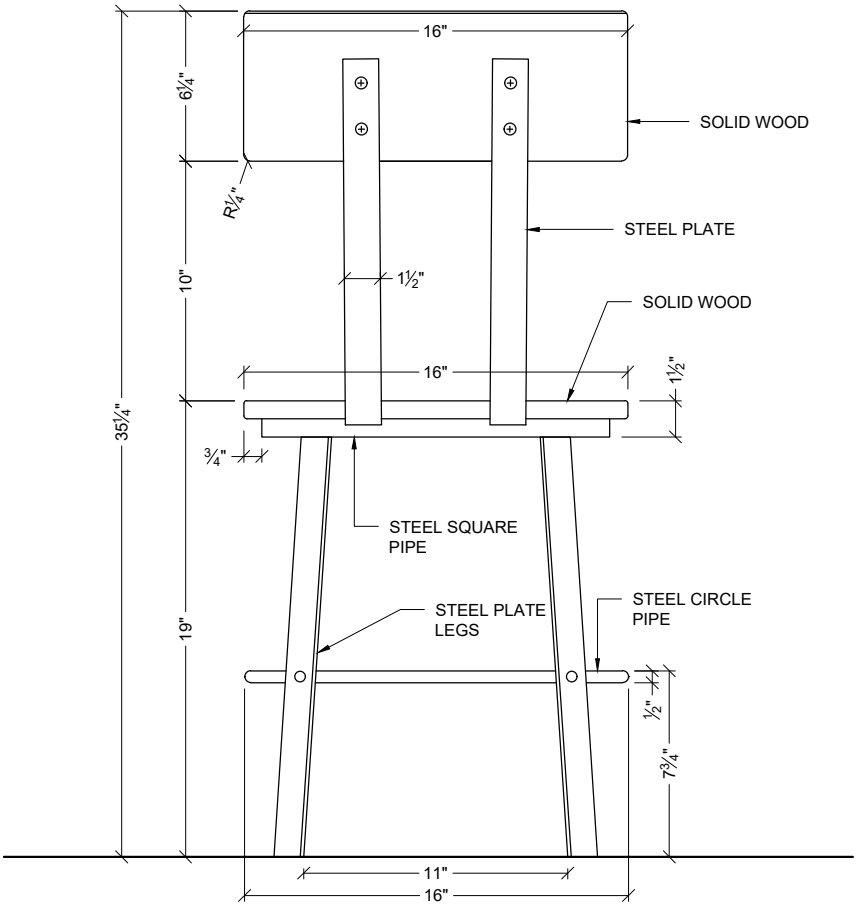
1 PLAN VIEW
SCALE: 1 1/2"=1'-0"



3 FRONT VIEW
SCALE: 1 1/2"=1'-0"



2 SIDE VIEW
SCALE: 1 1/2"=1'-0"



4 BACK VIEW
SCALE: 1 1/2"=1'-0"

LEGENDS

Unit K 7004 5th Street SE
Calgary, Alberta T2H2G3
Tel: 403-253-3234 Ext 2
Fax: 403-640-2985
www.adriachairs.com



DRAWING NAME	
CHAIR	
PROJECT #	
-	
DATE	
2/12/2020	
DRAWN BY	PAGE #
ArchiCGI	1.0