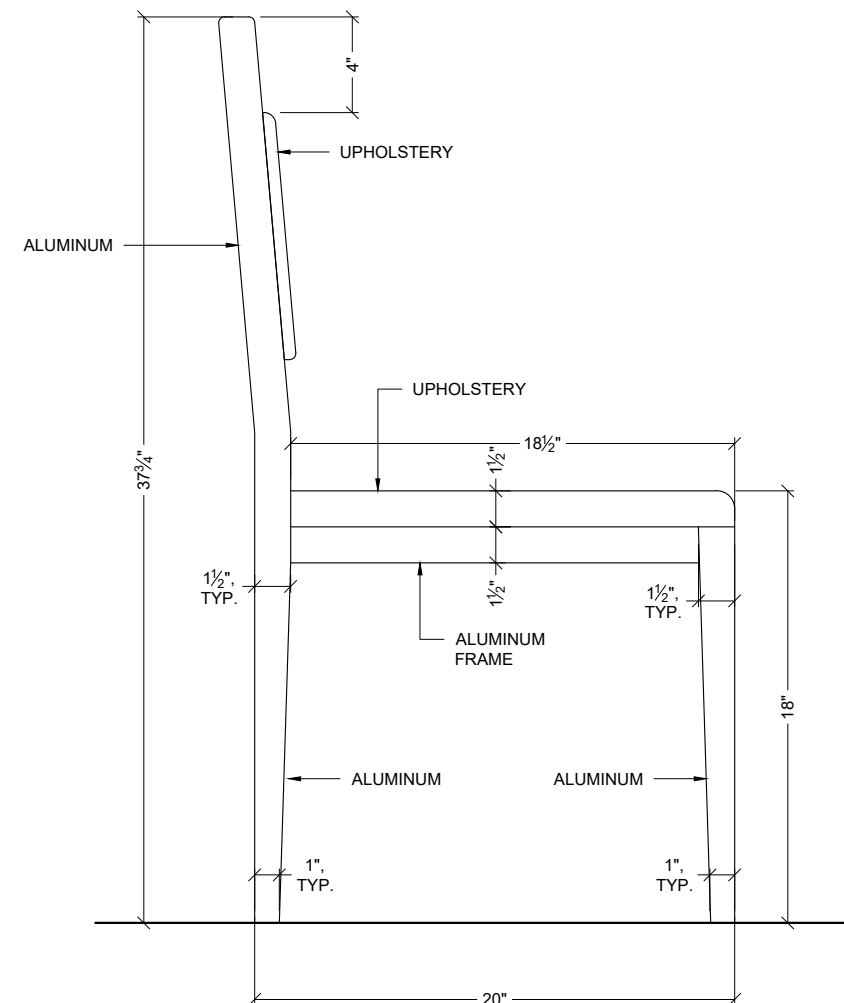
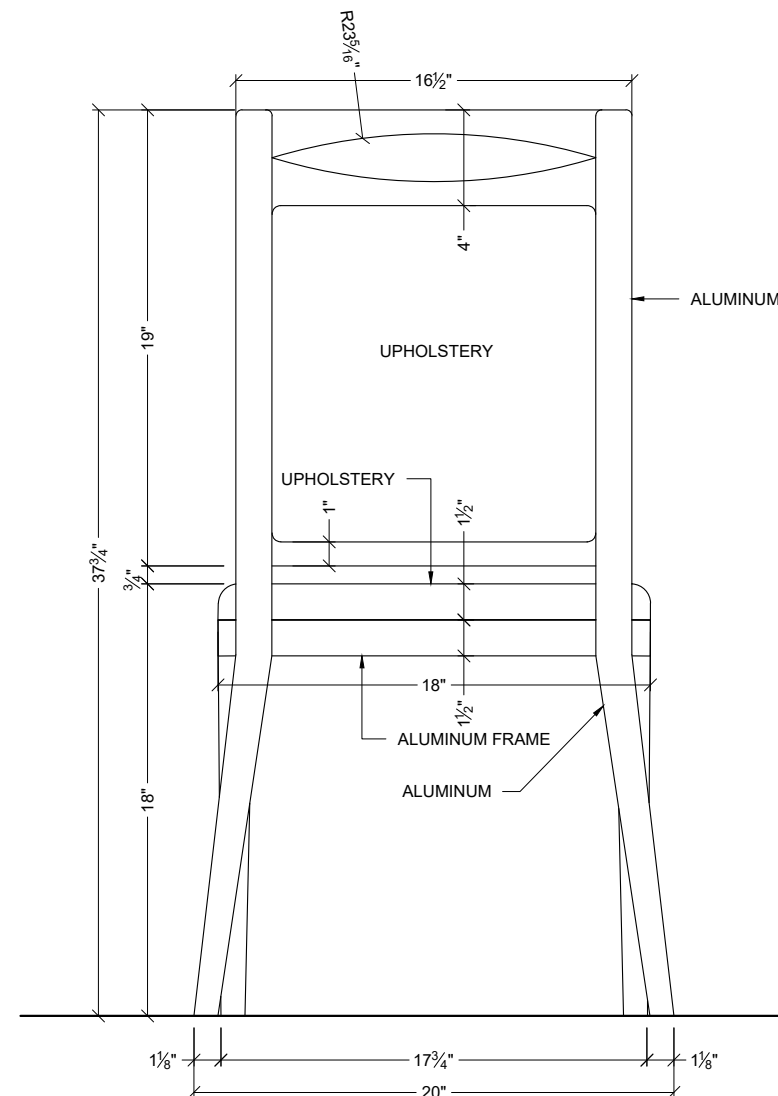
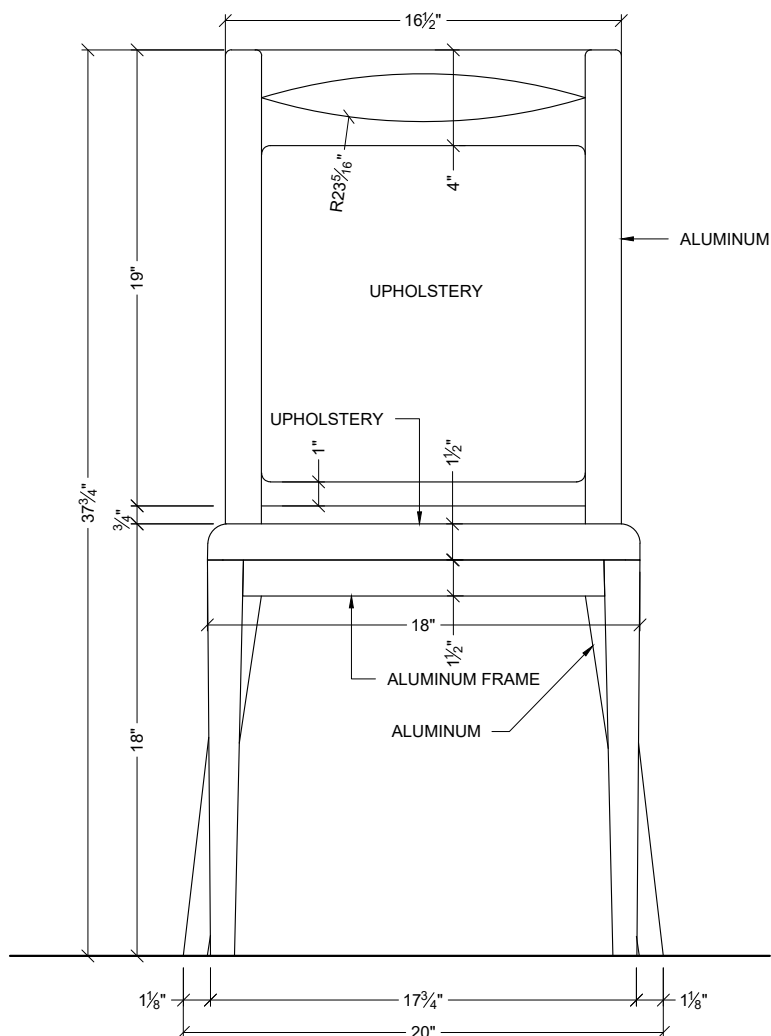


NOTE: DESIGNER PLEASE CONFIRM FRAME COLOR



LEGENDS

Unit K 7004 5th Street SE
Calgary, Alberta T2H2G3
Tel: 403-253-3234 Ext 2
Fax: 403-640-2985
www.adriachairs.com



DRAWING NAME

HC-24 SIDE

PROJECT #

-

DATE

2/5/2021

DRAWN BY

ArchiCGI

PAGE #

1.0