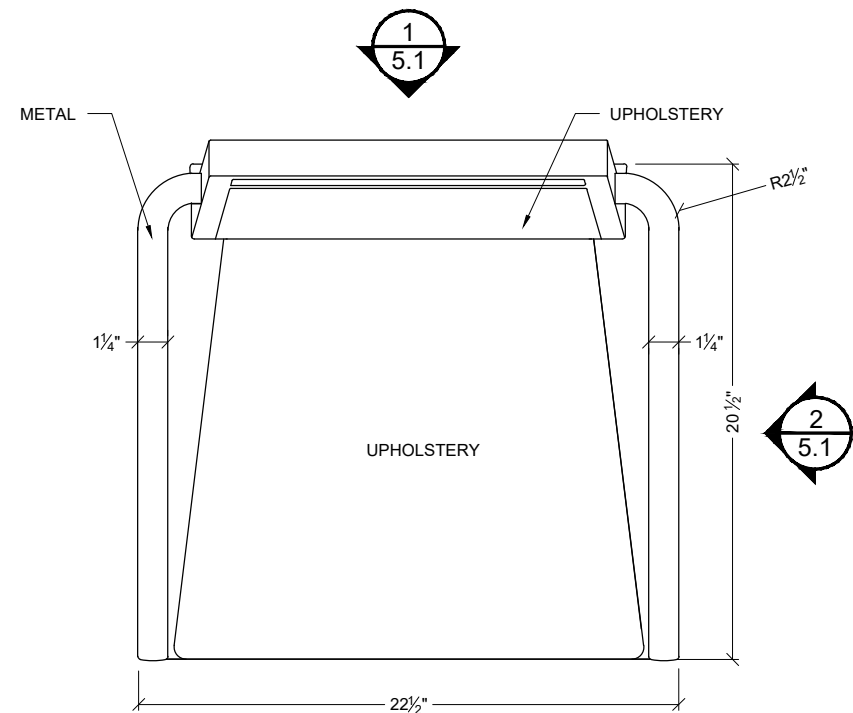
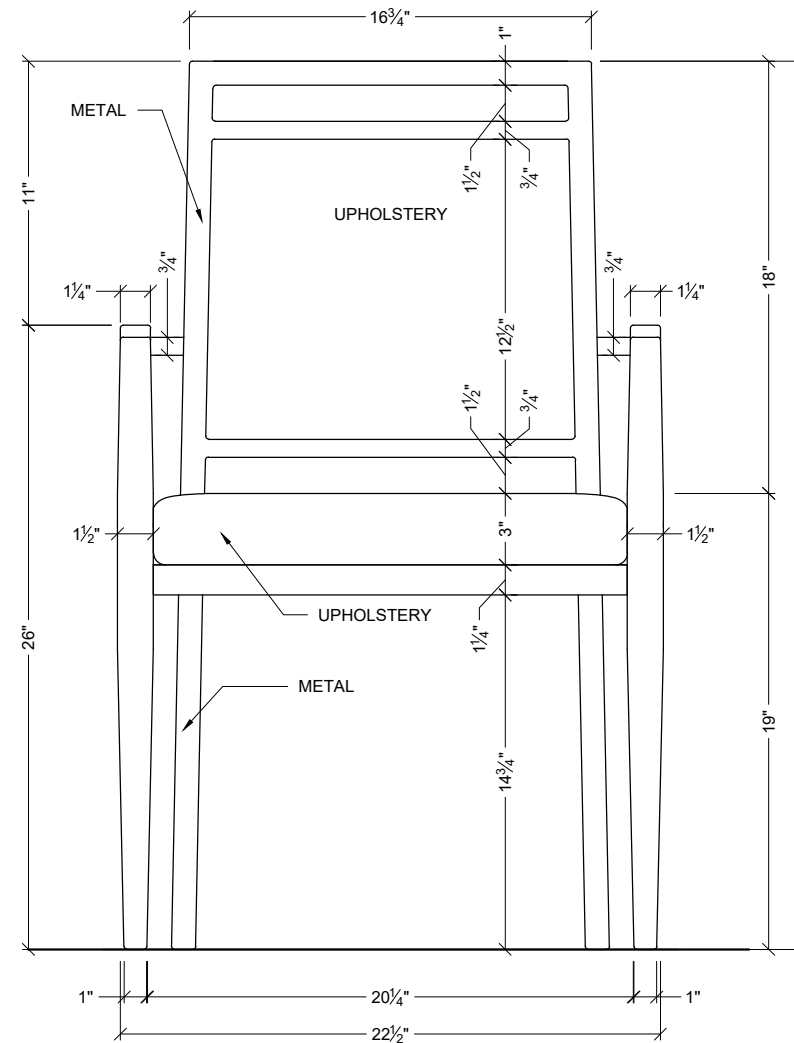


NOTE: DESIGNER PLEASE
CONFIRM METAL COLOR



2
5.0

1 PLAN VIEW
5.0 SCALE: 1 1/2"=1'-0"



2 FRONT VIEW
5.0 SCALE: 1 1/2"=1'-0"

LEGENDS

Unit K 7004 5th Street SE
Calgary, Alberta T2H2G3
Tel: 403-253-3234 Ext 2
Fax: 403-640-2985
www.adriachairs.com



DRAWING NAME

HC-22

PROJECT #

-

DATE

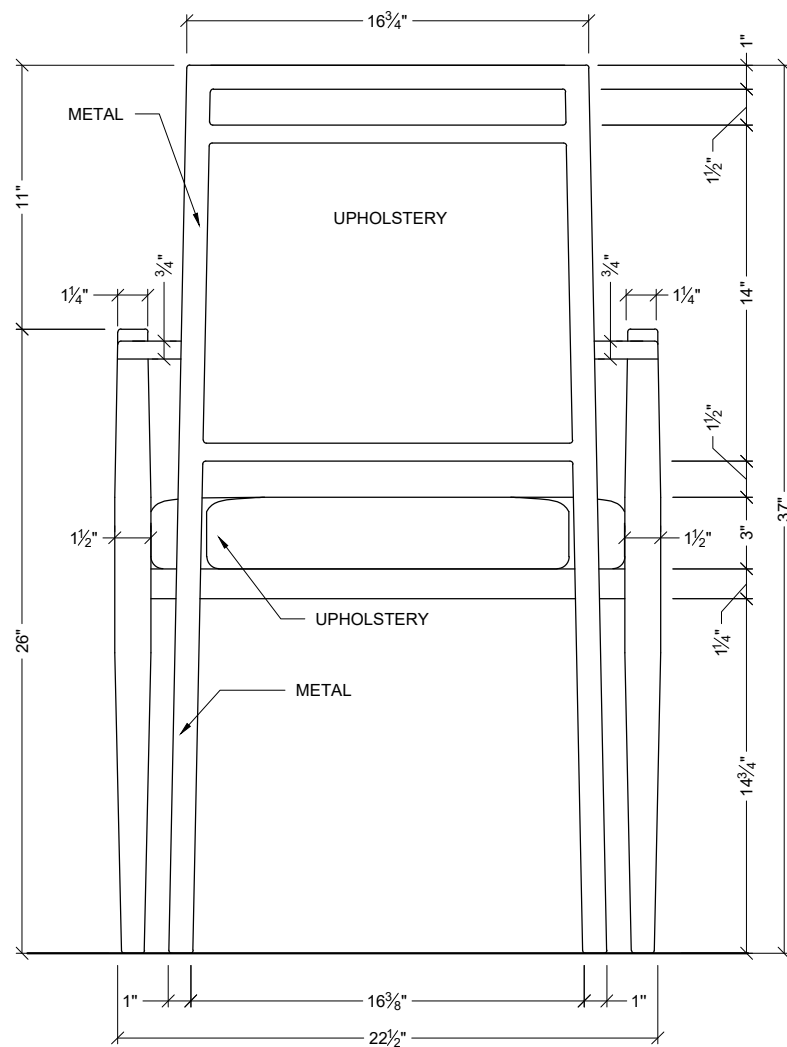
2/6/2020

DRAWN BY

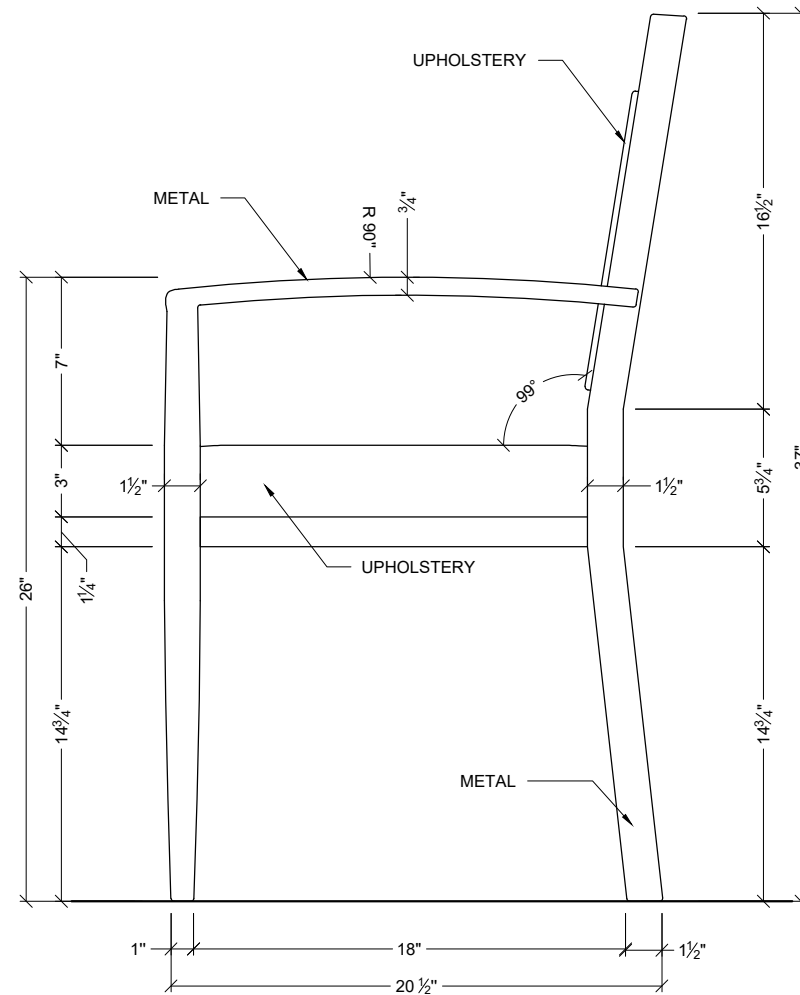
ArchiCGI

PAGE #

5.0



1 BACK VIEW
5.1 SCALE: 1 1/2"=1'-0"



2 SIDE VIEW
5.1 SCALE: 1 1/2"=1'-0"

Unit K 7004 5th Street SE
Calgary, Alberta T2H2G3
Tel: 403-253-3234 Ext 2
Fax: 403-640-2985
www.adriachairs.com



DRAWING NAME

HC-22

PROJECT #

-

DATE

2/6/2020

DRAWN BY

ArchiCGI

PAGE #

5.1