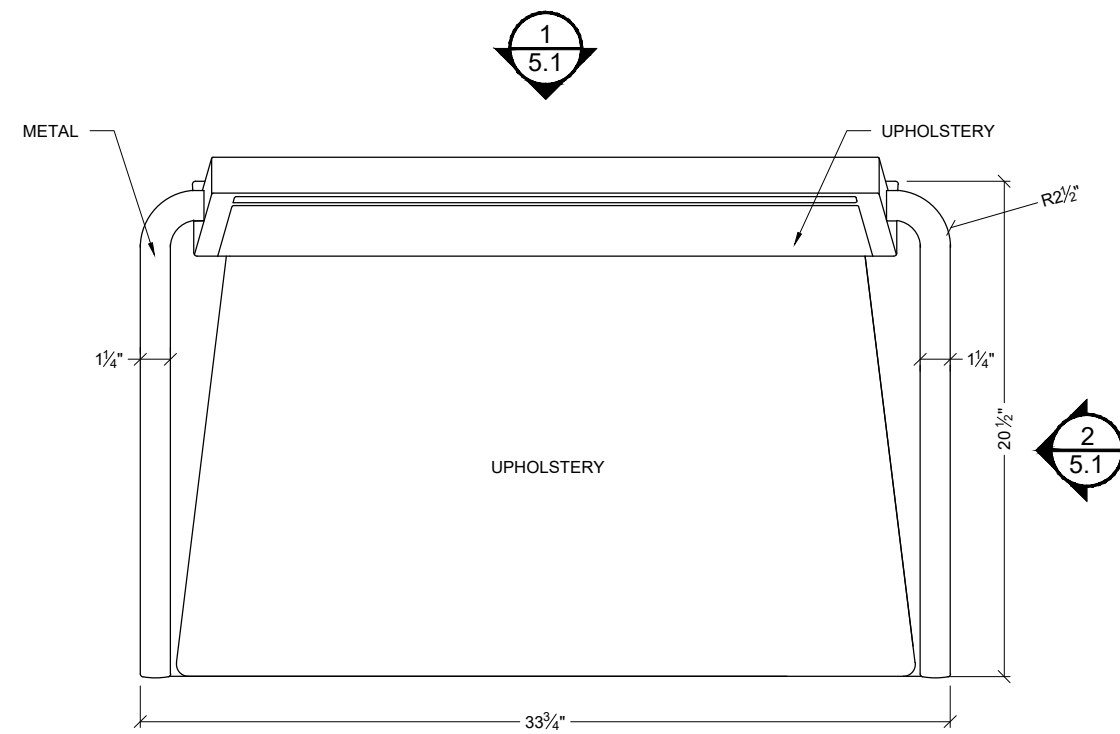
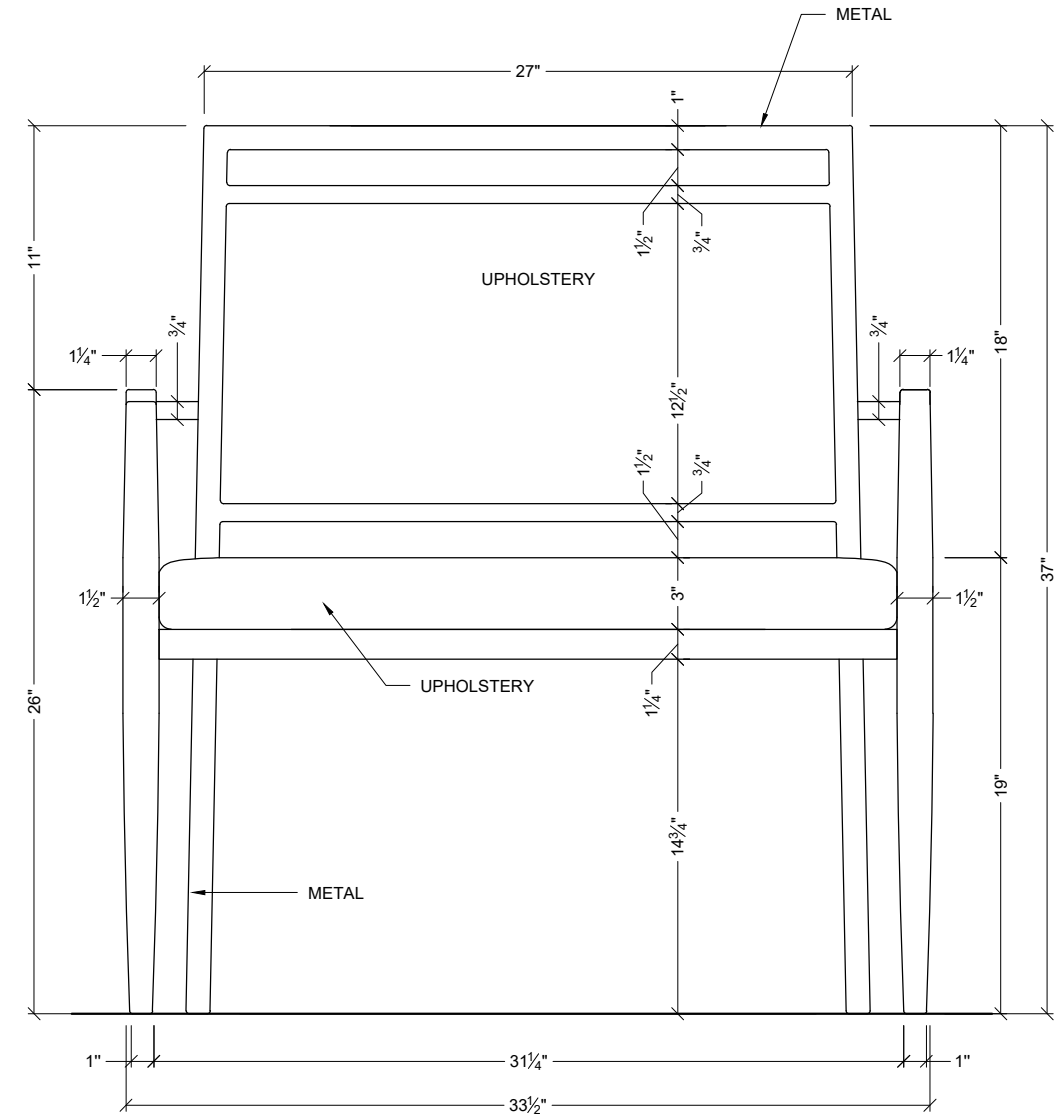


NOTE: DESIGNER PLEASE
CONFIRM METAL COLOR



2
6.0

1 PLAN VIEW
SCALE: 1 1/2"=1'-0"



2 FRONT VIEW
SCALE: 1 1/2"=1'-0"

LEGENDS

Unit K 7004 5th Street SE
Calgary, Alberta T2H2G3
Tel: 403-253-3234 Ext 2
Fax: 403-640-2985
www.adriachairs.com



DRAWING NAME
HC-22 Bariatric

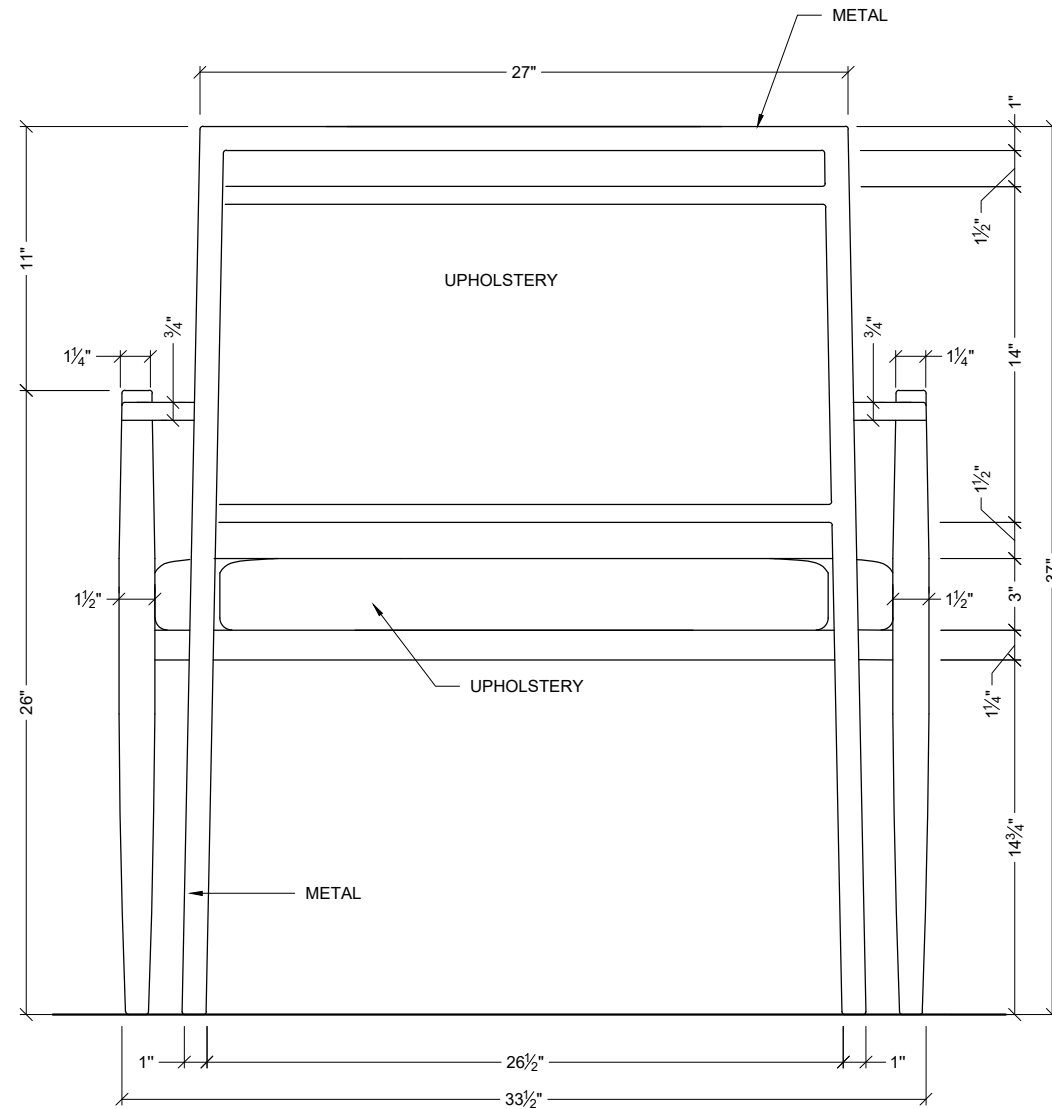
PROJECT #
-

DATE
2/6/2020

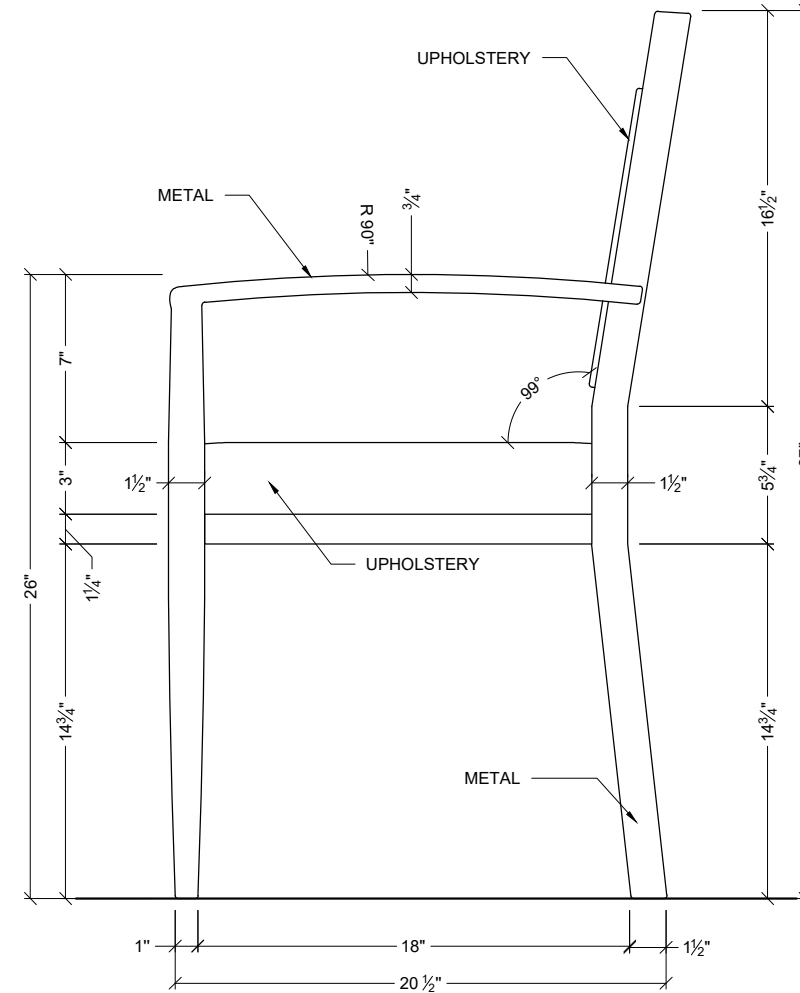
DRAWN BY
ArchiCGI

PAGE #
6.0

Unit K 7004 5th Street SE
 Calgary, Alberta T2H2G3
 Tel: 403-253-3234 Ext 2
 Fax: 403-640-2985
 www.adriachairs.com



1 BACK VIEW
 6.1 SCALE: 1 1/2"=1'-0"



2 SIDE VIEW
 6.1 SCALE: 1 1/2"=1'-0"



DRAWING NAME
 HC-22 Bariatric

PROJECT #
 -

DATE
 2/6/2020

DRAWN BY
 ArchiCGI

PAGE #
 6.1