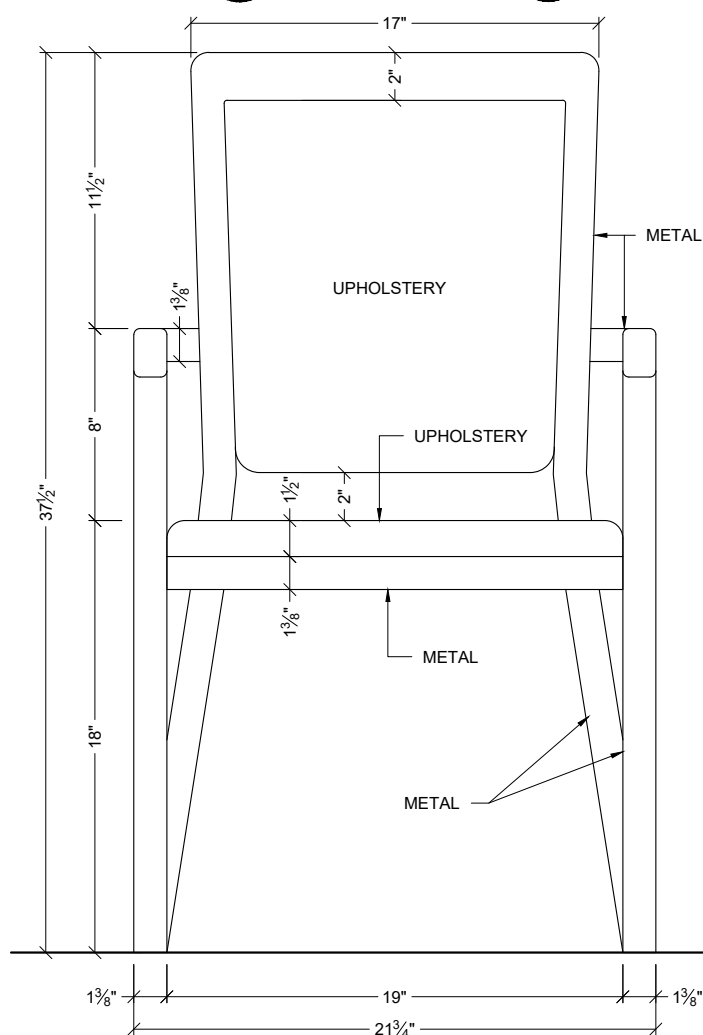
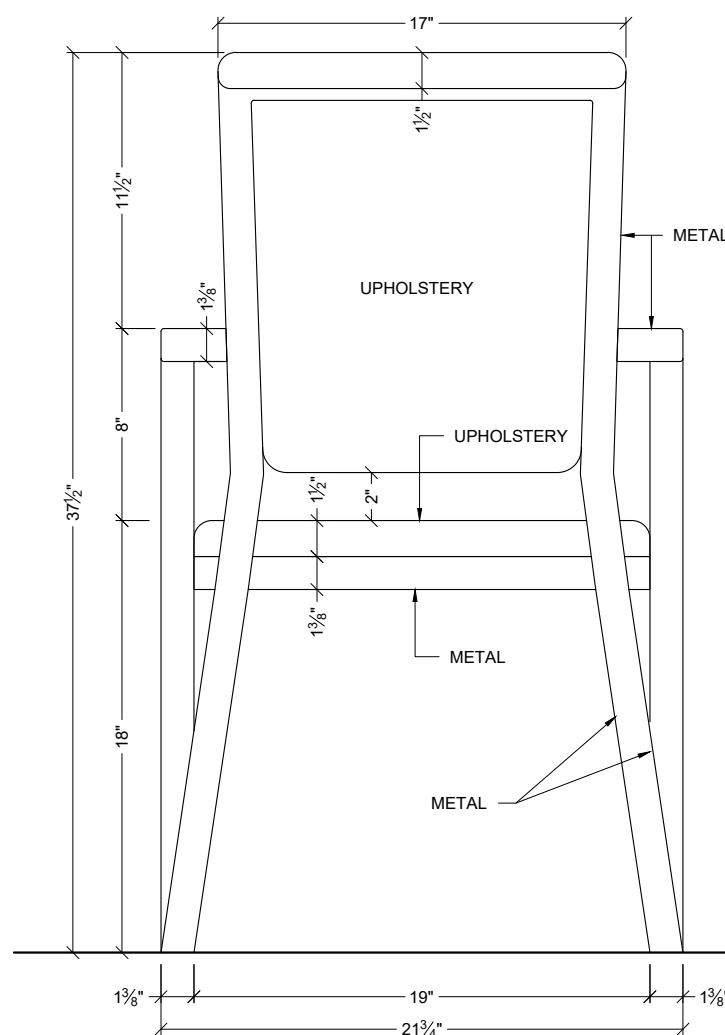


NOTE: DESIGNER PLEASE CONFIRM METAL COLOR

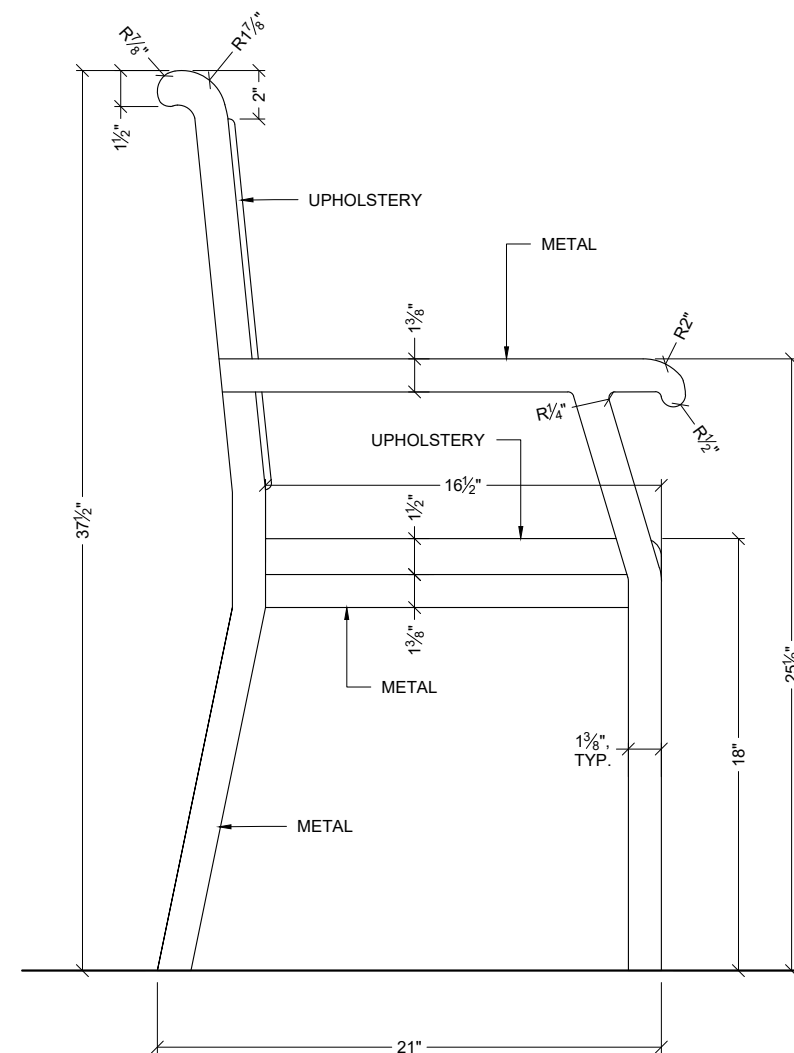
1 PLAN VIEW
SCALE: 1 1/2"=1'-0"



2 FRONT VIEW
SCALE: 1 1/2"=1'-0"



3 BACK VIEW
SCALE: 1 1/2"=1'-0"



4 SIDE VIEW
SCALE: 1 1/2"=1'-0"

LEGENDS

Unit K 7004 5th Street SE
Calgary, Alberta T2H2G3
Tel: 403-253-3234 Ext 2
Fax: 403-640-2985
www.adriachairs.com



DRAWING NAME

HC-21

PROJECT #

-

DATE

2/6/2020

DRAWN BY

ArchiCGI

PAGE #

2.0