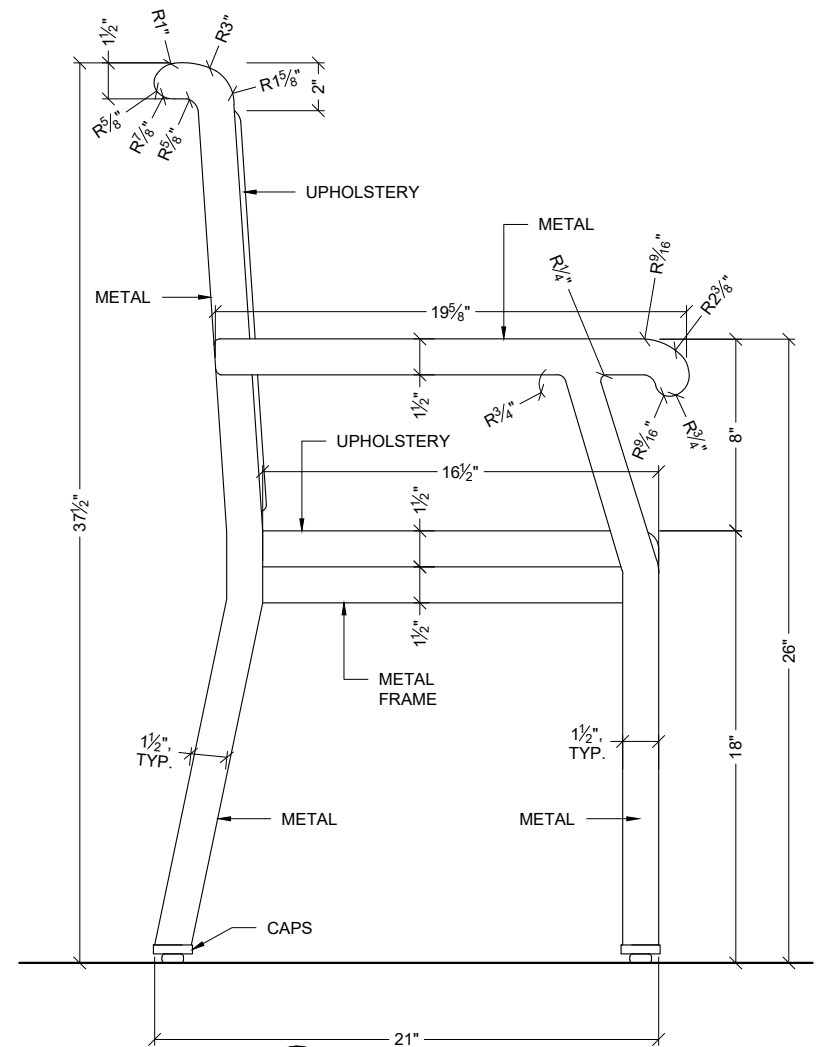
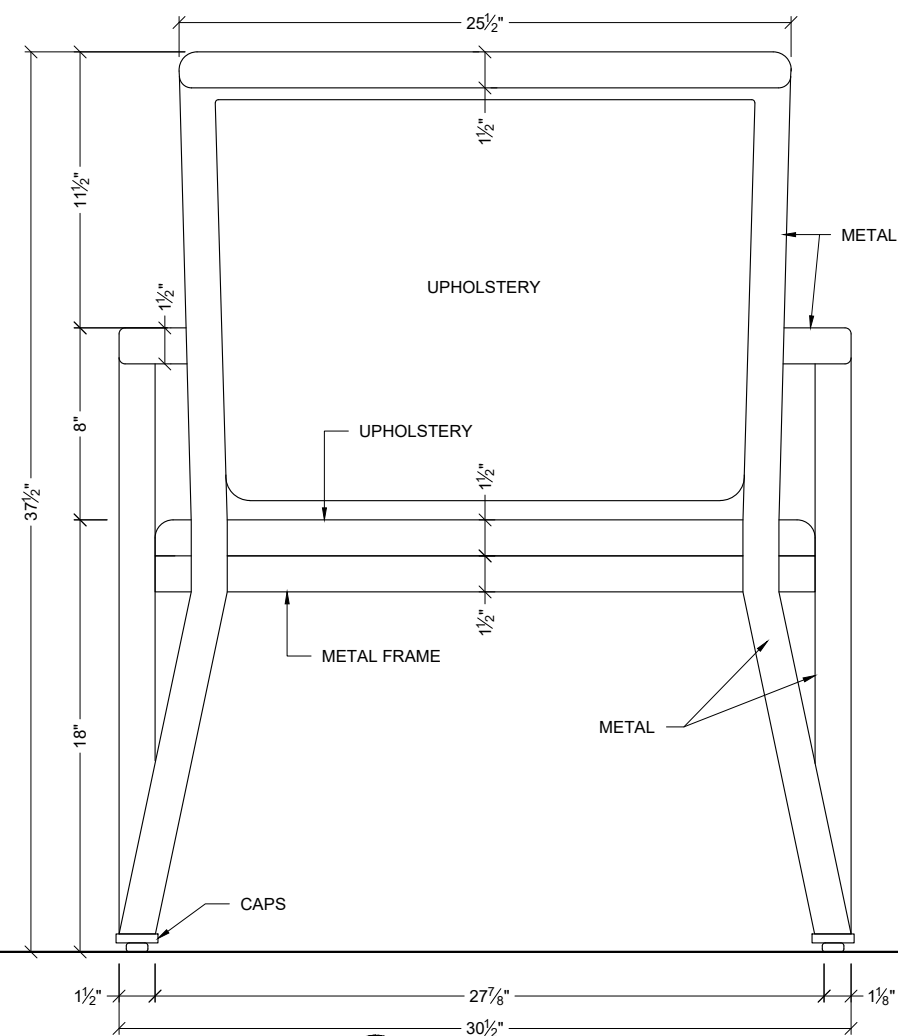
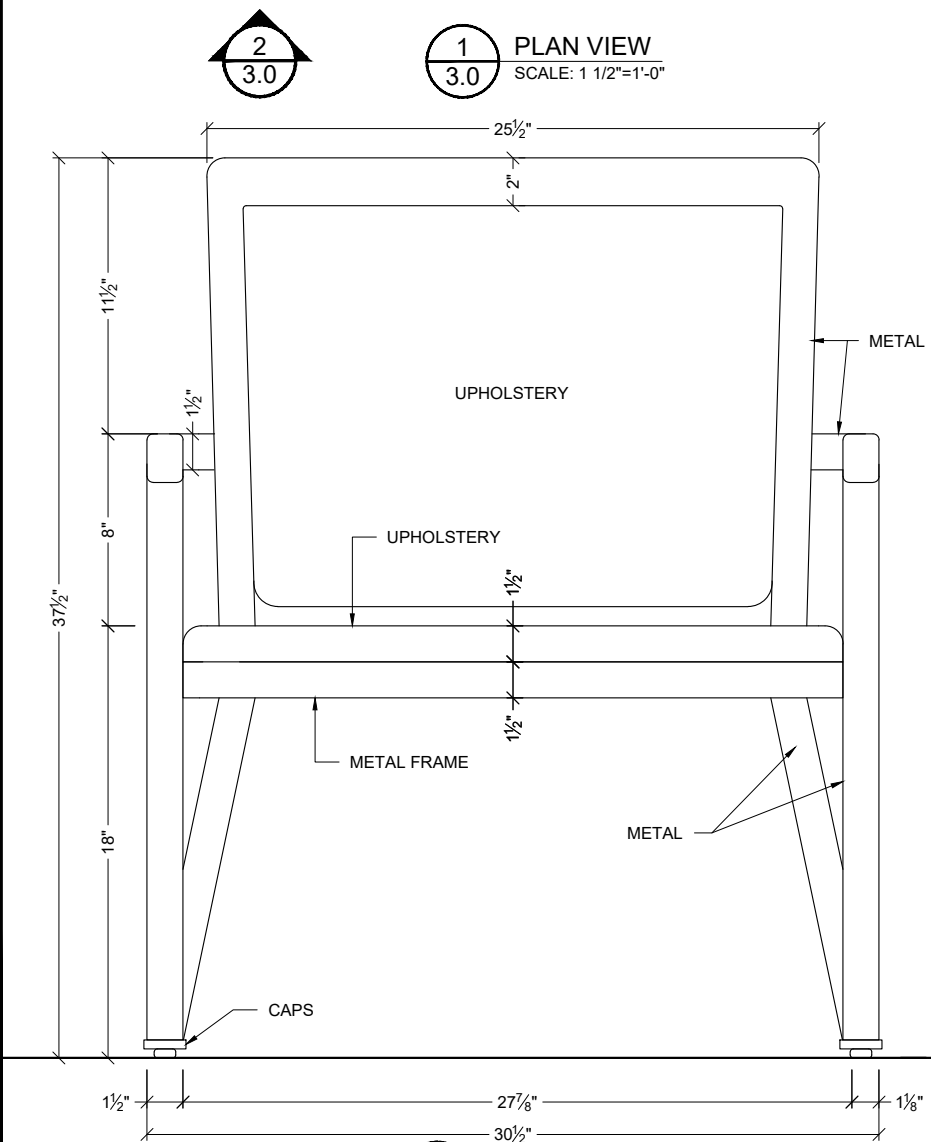
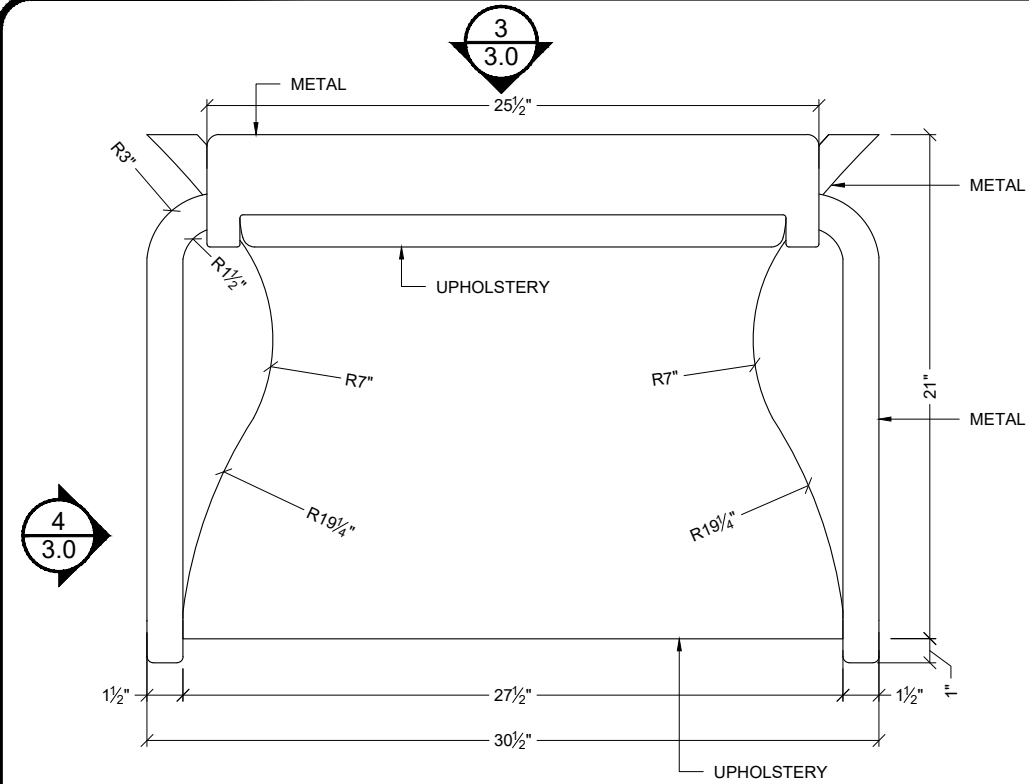


NOTE: DESIGNER PLEASE CONFIRM METAL COLOR

Unit K 7004 5th Street SE
Calgary, Alberta T2H2G3
Tel: 403-253-3234 Ext 2
Fax: 403-640-2985
www.adriachairs.com



2 FRONT VIEW
SCALE: 1 1/2"=1'-0"

3 BACK VIEW
SCALE: 1 1/2"=1'-0"

4 SIDE VIEW
SCALE: 1 1/2"=1'-0"



DRAWING NAME HC-21 BARIATRIC	
PROJECT # -	
DATE 2/6/2020	
DRAWN BY ArchiCGI	PAGE # 3.0