

Unit K 7004 5th Street SE
 Calgary, Alberta T2H2G3
 Tel: 403-253-3234 Ext 2
 Fax: 403-640-2985
 www.adriachairs.com



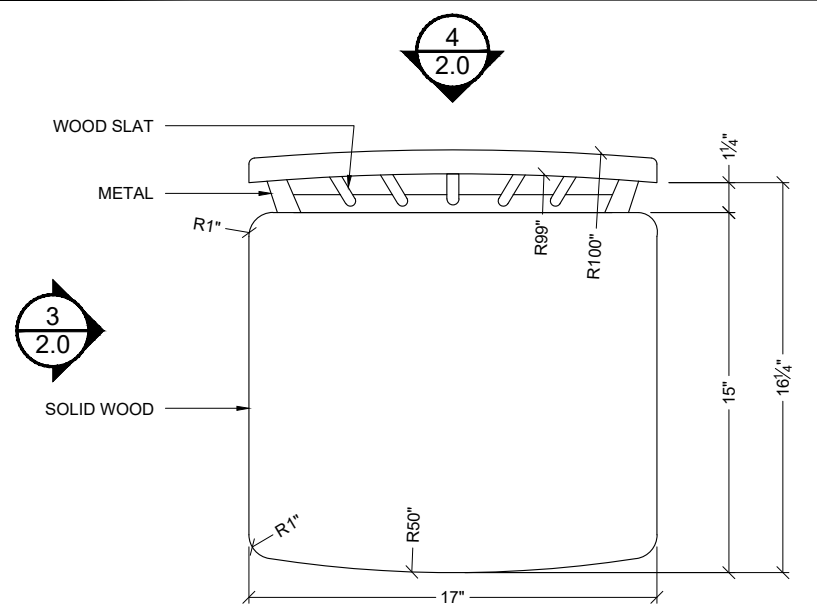
DRAWING NAME
ECLIPSE BAR

PROJECT #
 -

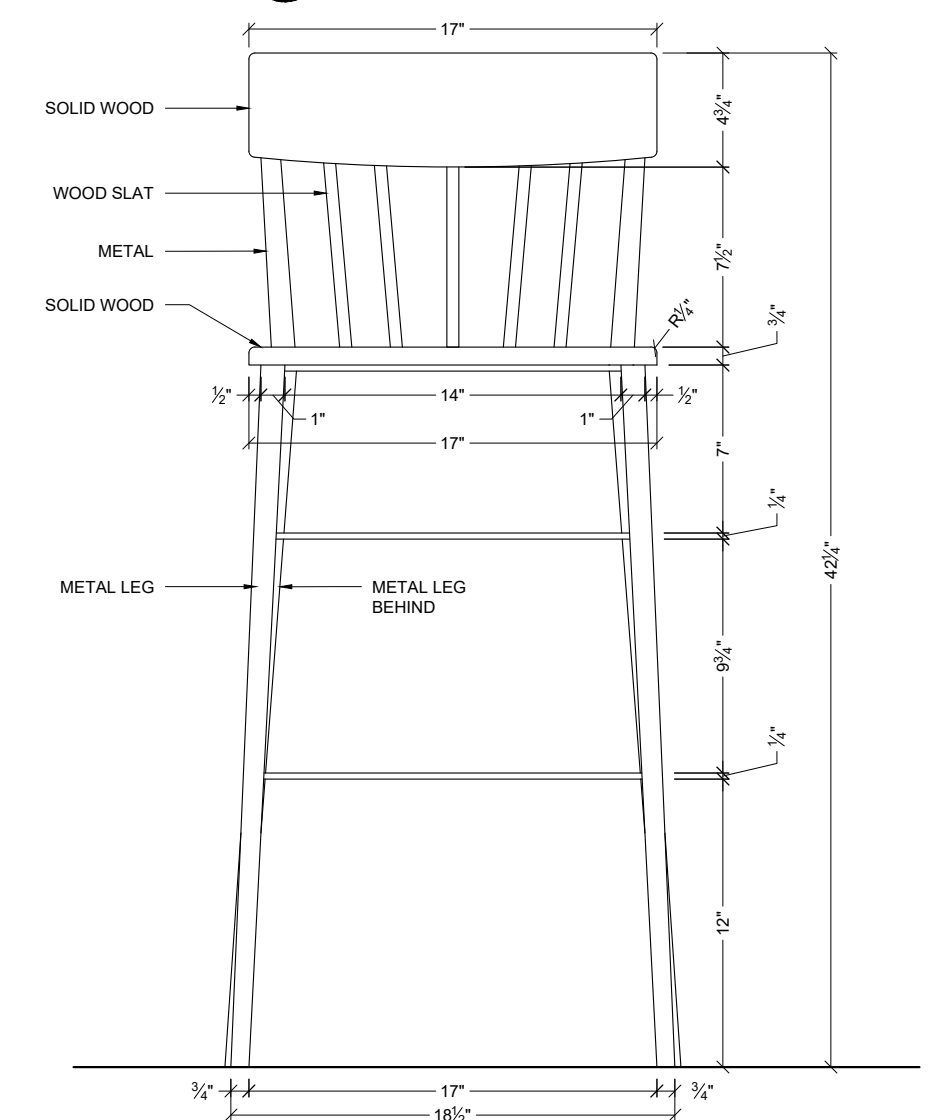
DATE
 4/20/2020

DRAWN BY
 ArchiCGI

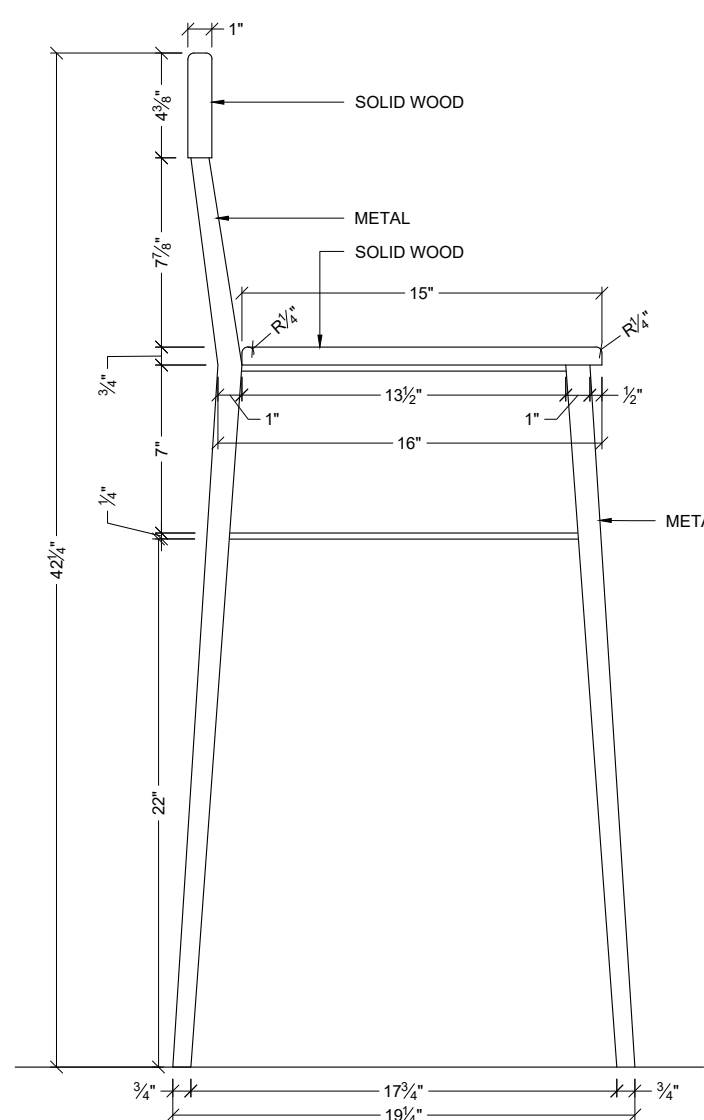
PAGE #
2.0



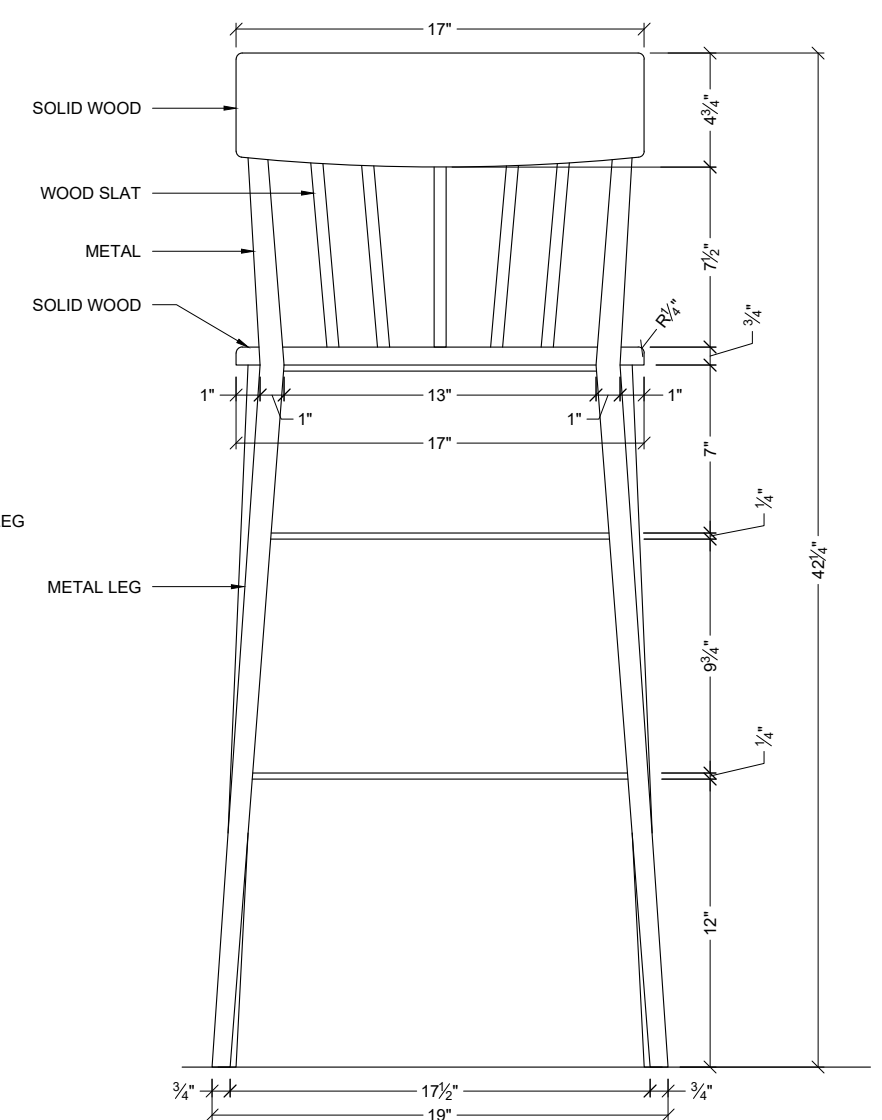
1
 2.0 **PLAN VIEW**
 SCALE: 1 1/2"=1'-0"



2
 2.0 **FRONT VIEW**
 SCALE: 1 1/2"=1'-0"



3
 2.0 **SIDE VIEW**
 SCALE: 1 1/2"=1'-0"



4
 2.0 **BACK VIEW**
 SCALE: 1 1/2"=1'-0"