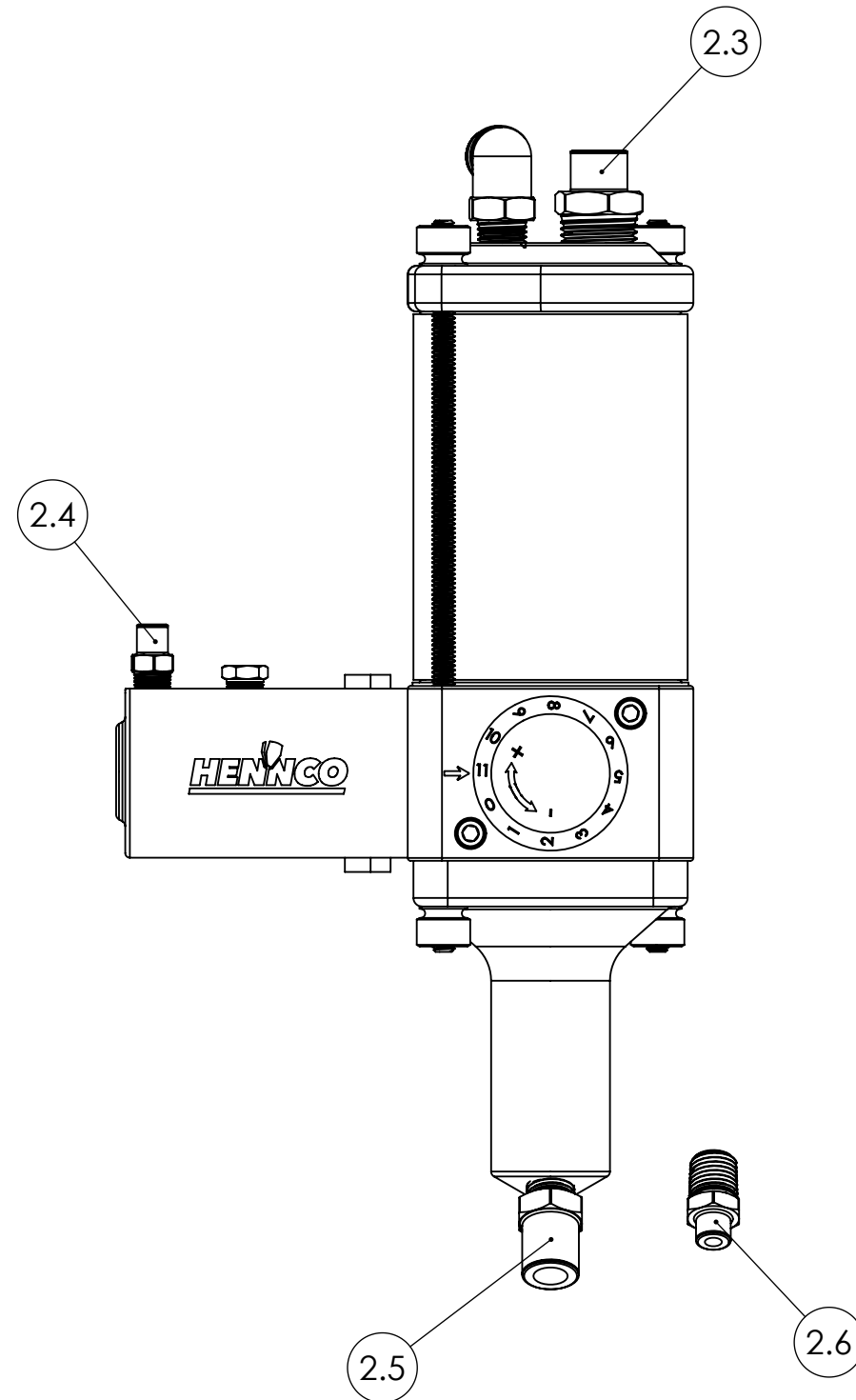
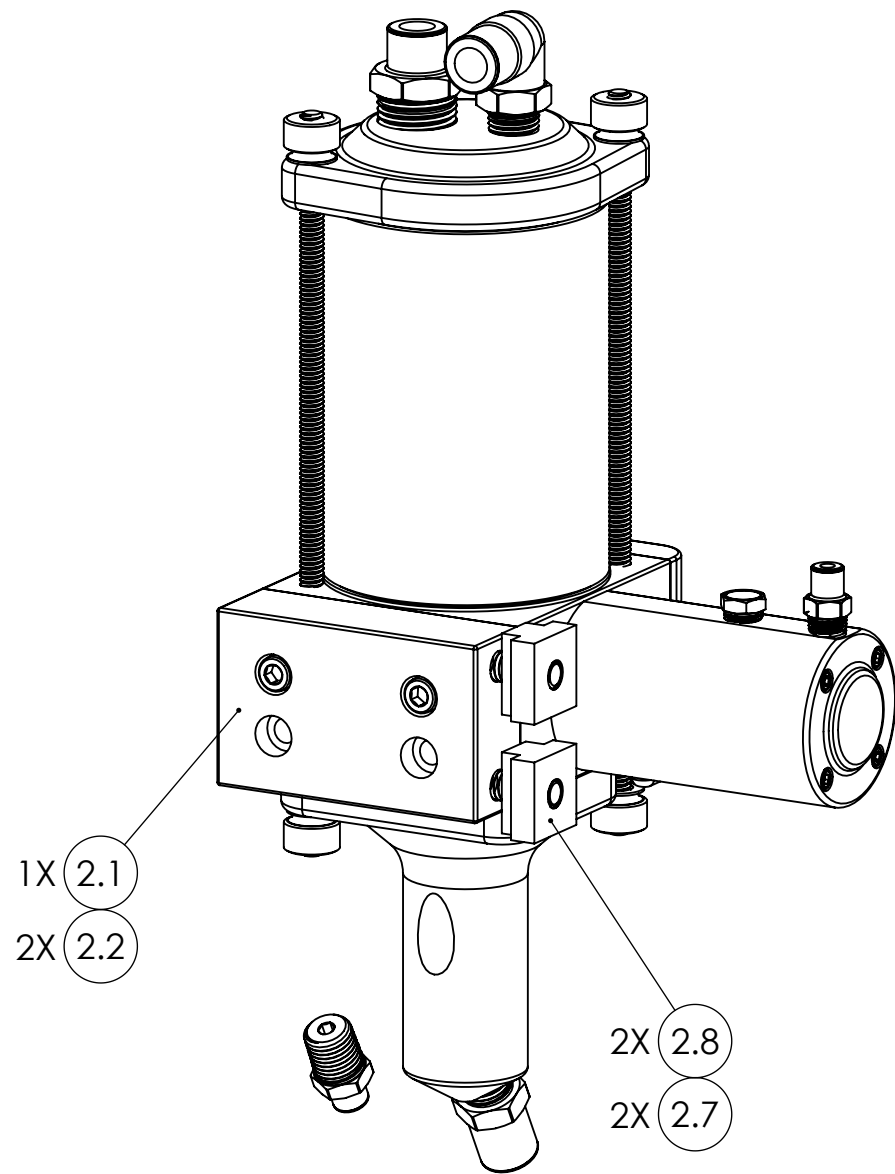


ITEM NO.	PART NUMBER	DESCRIPTION	QTY.
1	19031	ASSY; AMD, SPRING TO CLOSE, HWS	1
2	19075	KIT; AMD INSTALLATION, OMAX STD	1
2.1	19021	MOUNTING PLATE; AMD, OMAX, HWS	1
2.2	99056	FST; SHCS, 1/4-20 X 1.000 SS	2
2.3	99052	TUBE FTG; STRAIGHT, 1/2" NPTM X 3/8" TUBE, PTC	1
2.4	99051	TUBE FTG; STRAIGHT, 1/8" NPTM X 5/32" TUBE, PTC	1
2.5	99014	TUBE FTG; STRAIGHT, 1/4" NPTM X 3/8" TUBE	1
2.6	99053	TUBE FTG; STRAIGHT, 1/4" NPTM X 3/16" TUBE, PTC	1
2.7	99054	FST; SHCS, 5/16-18X 3.500, SS	2
2.8	99055	FST; NUT, T-SLOT, 5/16-18, 1/2" SLOT, BO	2



HENNCO
WATERJET SUPPLY

PO BOX 26
MINNEAPOLIS, MN 55304
INFO@HENNCOWATERJET.COM
WWW.HENNCOWATERJET.COM

	NAME	DATE
DRAWN	PTF	6/1/2020
SHEET 1/1	SCALE 1:2	SIZE B
DESCRIPTION MAIN ASSY; OMAX AMD, STANDARD		
PART ID 19035-2	REV A	