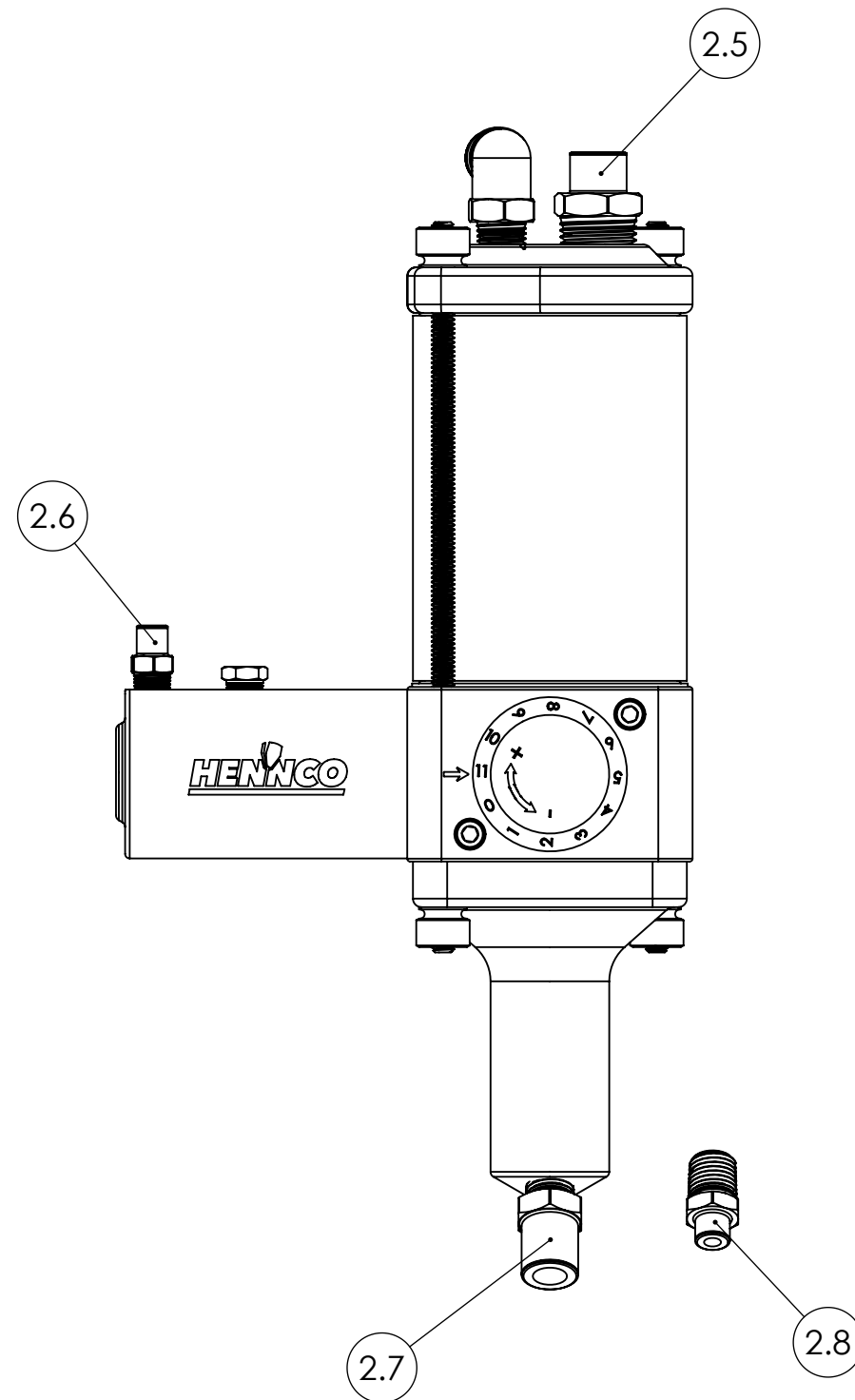
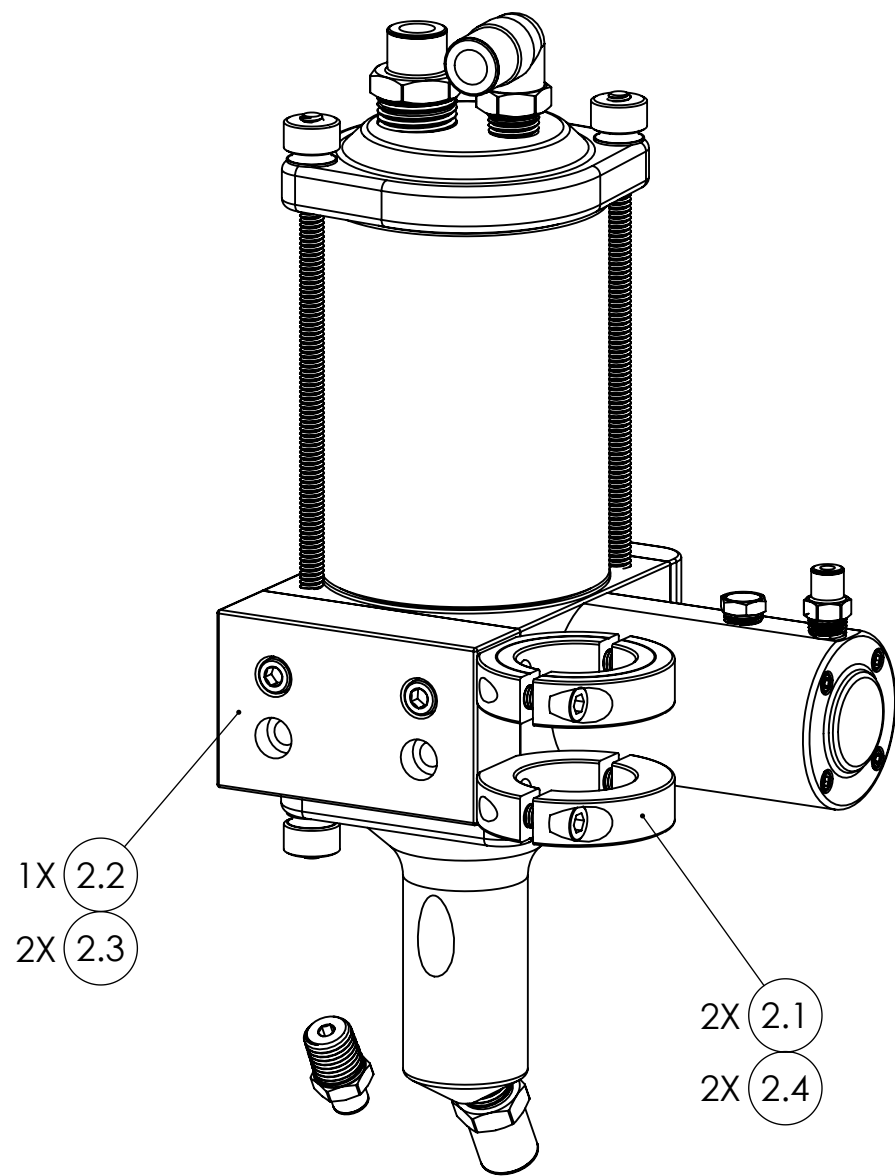


ITEM NO.	PART NUMBER	DESCRIPTION	QTY.
1	19031	ASSY; AMD, SPRING TO CLOSE, HWS	1
2	19074	KIT; AMD INSTALLATION, OMAX MAXIEM II	1
2.1	19079	MOUNTING COLLAR; AMD, OM MAX	2
2.2	19021	MOUNTING PLATE; AMD, OMAX, HWS	1
2.3	99056	FST; SHCS, 1/4-20 X 1.000 SS	2
2.4	99075	FST; SHCS, 5/16-18X 3.000, SS	2
2.5	99052	TUBE FTG; STRAIGHT, 1/2" NPTM X 3/8" TUBE, PTC	1
2.6	99051	TUBE FTG; STRAIGHT, 1/8" NPTM X 5/32" TUBE, PTC	1
2.7	99014	TUBE FTG; STRAIGHT, 1/4" NPTM X 3/8" TUBE	1
2.8	99053	TUBE FTG; STRAIGHT, 1/4" NPTM X 3/16" TUBE, PTC	1



PO BOX 26
 MINNEAPOLIS, MN 55304
 INFO@HENNCOWATERJET.COM
 WWW.HENNCOWATERJET.COM

	NAME	DATE
DRAWN	PTF	6/1/2020
SHEET 1/1	SCALE 1:2	SIZE B
DESCRIPTION MAIN ASSY; OMAX AMD, MAXIEM II		
PART ID 19035-1	REV A	