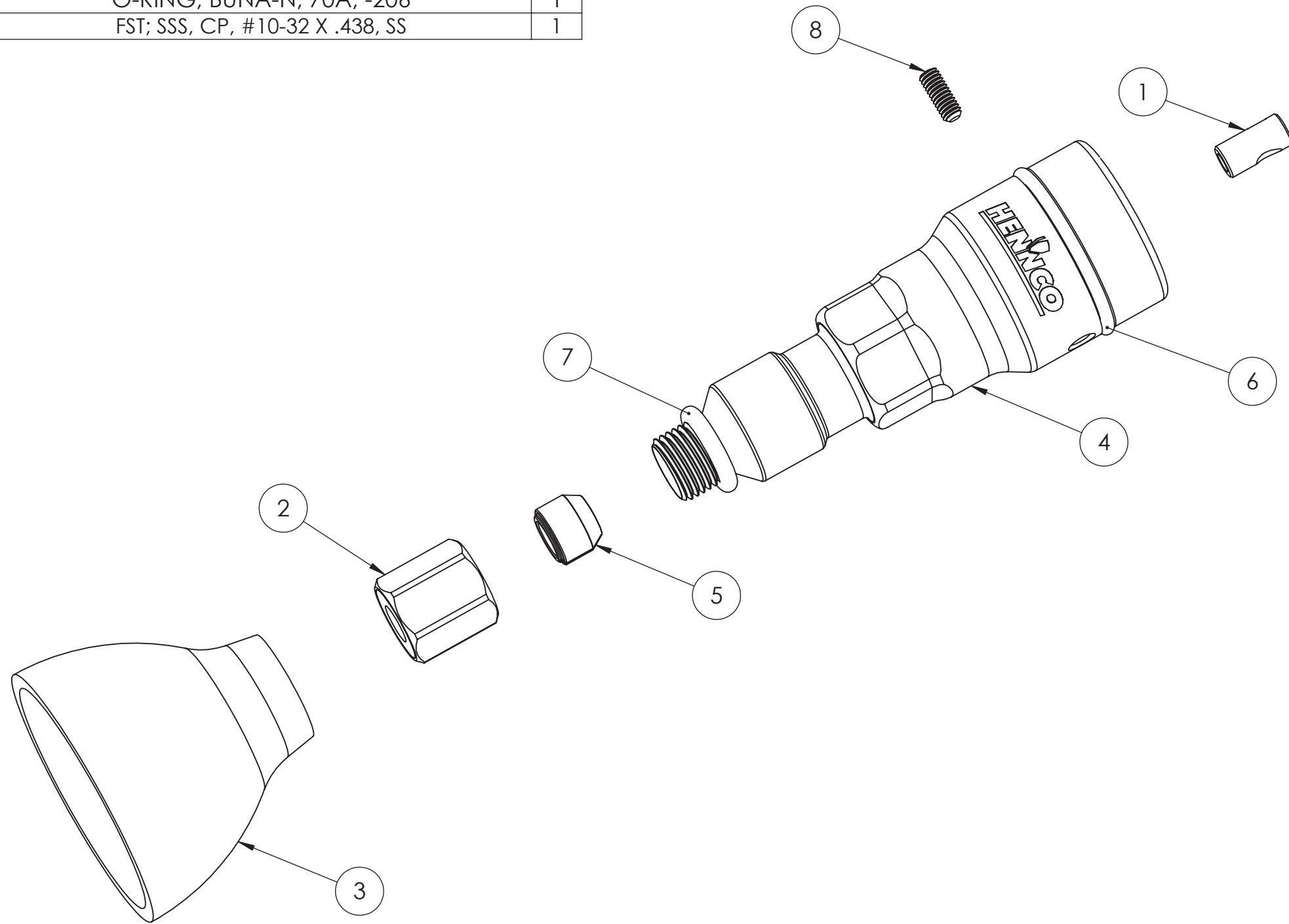


ITEM NO.	PART NUMBER	DESCRIPTION	QTY.
1	14001	MIXING CHAMBER; PC 1200D, HWS	1
2	14008	PROTECTIVE NUT; PC 50R/400T/1200D, HWS	1
3	14009	RUBBER GUARD; PC 50R/400T/1200D, HWS	1
4	14044	MAIN BODY; PC FIVE, HWS	1
5	44006	COLLET; MIXING TUBE, MJET 5, OM	1
6	99001-125	O-RING; BUNA-N, 70A, -125	1
7	99001-206	O-RING; BUNA-N, 70A, -206	1
8	99033	FST; SSS, CP, #10-32 X .438, SS	1



NOTES:

1. ADD PURPLE LOCTITE TO ITEM 8



PO BOX 26
 MINNEAPOLIS, MN 55304
 INFO@HENNCOWATERJET.COM
 WWW.HENNCOWATERJET.COM

	NAME	DATE
DRAWN	PTF	6/1/2020
SHEET 1/1	SCALE 1:1	SIZE B

DESCRIPTION
**CUTTING HEAD ASSY;
 PRECISIONCORE MAX5**

PART ID	REV
14045	A