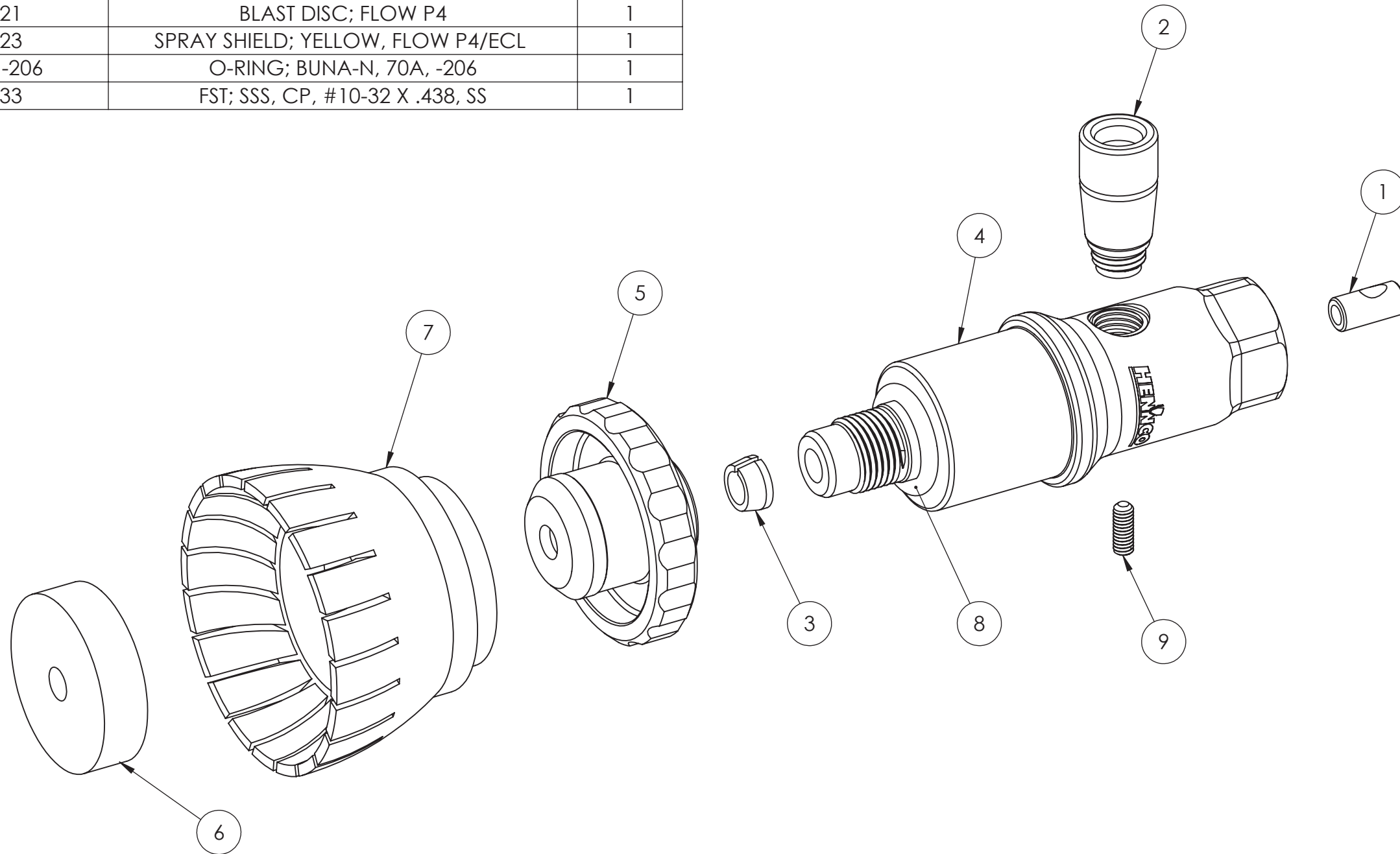


ITEM NO.	PART NUMBER	DESCRIPTION	QTY.
1	14001	MIXING CHAMBER; PC 1200D, HWS	1
2	14003	ABRASIVE INLET ASSY; 3/8", PC 1200D, HWS	1
3	14004	COLLET; NOZZLE NUT, PRECISIONCORE, HWS	1
4	14038	MAIN BODY; PC FORE, HWS	1
5	14041	NOZZLE NUT; KNURLED, PRECISIONCORE, HWS	1
6	34021	BLAST DISC; FLOW P4	1
7	34023	SPRAY SHIELD; YELLOW, FLOW P4/ECL	1
8	99001-206	O-RING; BUNA-N, 70A, -206	1
9	99033	FST; SSS, CP, #10-32 X .438, SS	1



NOTES:

1. ADD PURPLE LOCTITE TO ITEM 9



PO BOX 26
 MINNEAPOLIS, MN 55304
 INFO@HENNCOWATERJET.COM
 WWW.HENNCOWATERJET.COM

	NAME	DATE
DRAWN	FOH	6/27/2018
SHEET 1/1	SCALE 1:1	SIZE B
DESCRIPTION		
CUTTING HEAD ASSY; PC FORE, KNURLED NUT, HWS		
PART ID 14042	REV A	