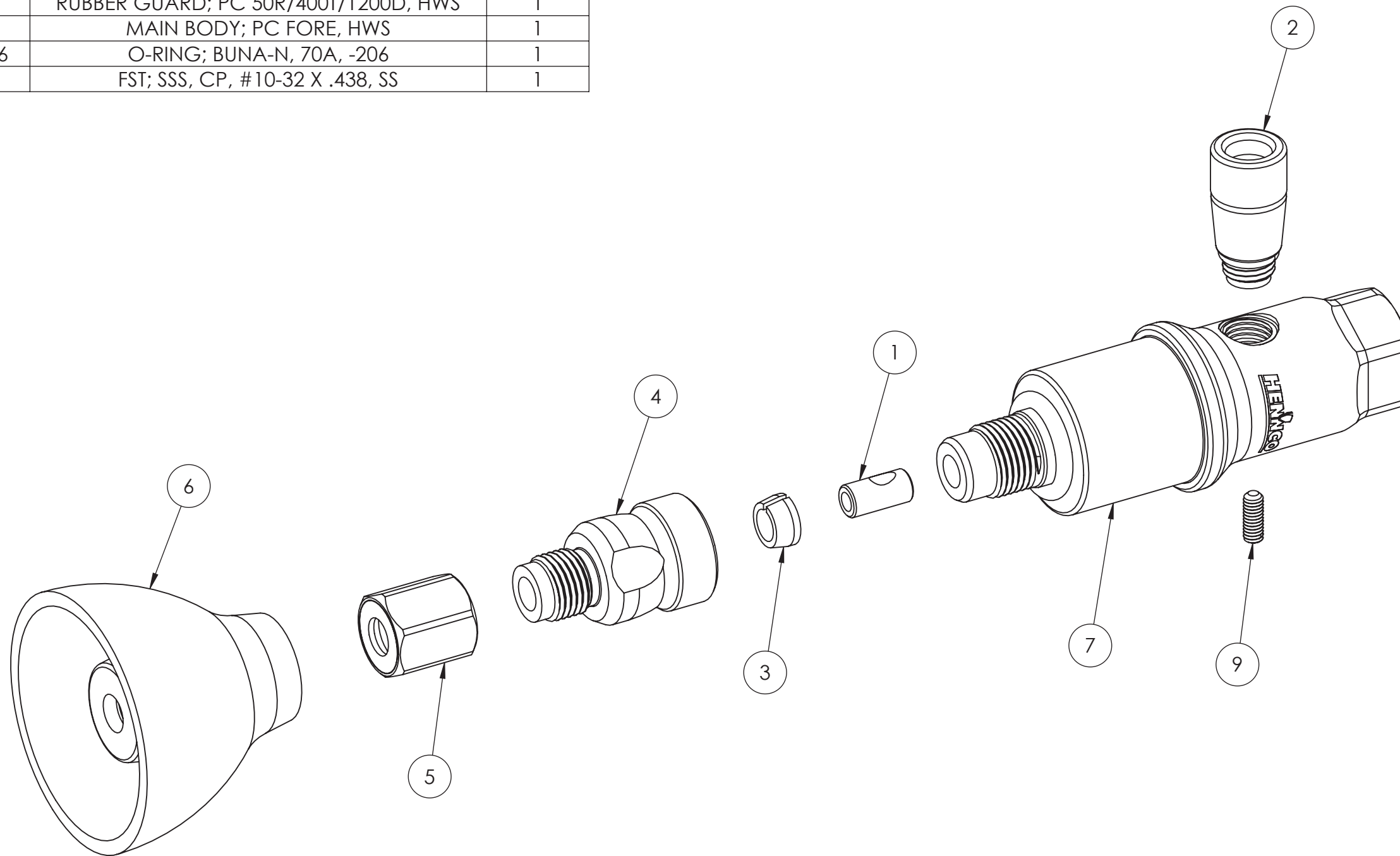


ITEM NO.	PART NUMBER	DESCRIPTION	QTY.
1	14001	MIXING CHAMBER; PC 1200D, HWS	1
2	14003	ABRASIVE INLET ASSY; 3/8", PC 1200D, HWS	1
3	14004	COLLET; NOZZLE NUT, PRECISIONCORE, HWS	1
4	14006	NOZZLE NUT; 3", PC 50R/400T/1200D, HWS	1
5	14008	PROTECTIVE NUT; PC 50R/400T/1200D, HWS	1
6	14009	RUBBER GUARD; PC 50R/400T/1200D, HWS	1
7	14038	MAIN BODY; PC FORE, HWS	1
8	99001-206	O-RING; BUNA-N, 70A, -206	1
9	99033	FST; SSS, CP, #10-32 X .438, SS	1



**HENNCO**  
WATERJET SUPPLY

PO BOX 26  
MINNEAPOLIS, MN 55304  
INFO@HENNCOWATERJET.COM  
WWW.HENNCOWATERJET.COM

	NAME	DATE
DRAWN	FOH	6/27/2018
SHEET 1/1	SCALE 1:1	SIZE B
DESCRIPTION <b>CUTTING HEAD ASSY; PC FORE, HWS</b>		
PART ID 14039	REV A	