

Welcome!

We greatly appreciate your purchase of your Tilt 'N Plug Jr. (TNP JR.) Interconnect Box. We are sure you will find it reliable and simple to use. Superior performance for the right price, backed by solid technical and customer support is what Altinex offers.

We are committed to providing Signal Management Solutions® to our customers for the most demanding audiovisual installations at competitive pricing and we welcome you to join the ranks of our many satisfied customers throughout the world.

1. Precautions and Safety Warnings

Please read this manual carefully before using your Tilt 'N Plug Jr. Interconnect Box. Keep this manual handy for future reference. These safety instructions are to ensure the long life of your Tilt 'N Plug Jr. and to prevent fire and shock hazards. Please read them carefully and heed all warnings.

1.1 General

- Unauthorized personnel shall not open the unit as there are high-voltage components inside. Qualified Altinex personnel or their authorized representatives must perform all service.

1.2 Installation Precautions

- For best results, place in a dry area away from dust.
- To prevent fire or shock, do not expose to water or moisture. Do not place in direct sunlight, near heaters or heat-radiating appliances, or near any liquid. Exposure to direct sunlight, smoke, or steam can harm components.
- Handle carefully; dropping or jarring can damage the bezel.
- Never place fingers inside the opening on either side of the unit; injury can occur due to sharp edges inside.
- Do not place heavy objects on top of the TNP Jr. Do not use excessive force to push down on the top of the unit.

- Disconnect the power cord to turn off power; this powers the socket on the pop-up panel. The power outlet should be installed near the equipment and be easily accessible.
- We recommend using wall outlets with a Ground Fault Circuit Interrupter (GFCI) for maximum protection.
- Install all cables according to the instructions herein. Do not force or pull any cable that is attached to the TNP Jr.

1.3 Cleaning

- Surfaces should be cleaned with a dry cloth. Never use strong detergents or solvents such as alcohol or thinner. Do not use a wet cloth or water to clean the unit.

1.4 FCC Notice

- This device complies with Part 15 of the FCC Rules. Operation is subject to the following two conditions: (1) This device may not cause harmful interference, and (2) this device must accept any interference received, including interference that may cause undesired operation.
- This equipment has been tested and found to comply with the limits for a Class A digital device, pursuant to Part 15 of the FCC Rules. These limits are designed to provide reasonable protection against harmful interference when the equipment is operated in a commercial environment. This equipment generates, uses, and can radiate radio frequency energy and, if not installed and used in accordance with the instructions found herein, may cause harmful interference to radio communications. Operation of this equipment in a residential area is likely to cause harmful interference in which case the user will be required to correct the interference at his expense.
- Any changes or modifications to the unit not expressly approved by Altinex, Inc. could void the user's authority to operate the equipment.

2. Installation Procedures

Step 1. Cut an opening into the table's surface. Refer to the Altinex website at www.Altinex.com for table cutout requirements.

Note: The table can be 2.25" thick or less. Always confirm dimensions before cutting to insure specifications have not changed.

Step 2. Insert the Tilt 'N Plug Jr. into the table cutout.

Step 3. Place the support brackets under the table and place them between the support mount grooves on the side of the unit. Attach brackets to the groove and secure them to the table using the knurled screws. Tighten provided wing nuts to secure screws on place.

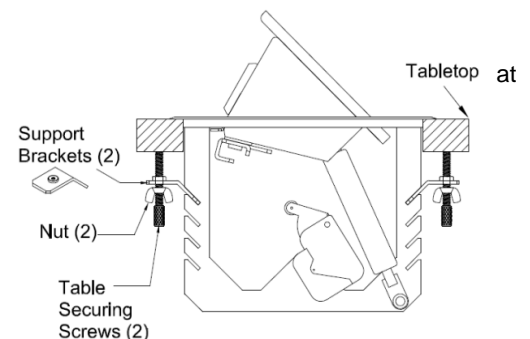
Step 4. Secure the cables using the provided cable clamps and screws. Pass the power cord from the bottom of the housing and attach it to the table using the cable clamp and screw supplied with the TNP Jr. Leave enough slack in the service loop to allow for easy opening and closing, but not too much as to cause excess drooping of the service loop.

Step 5. Connect the appropriate cables with the correct input connectors on the bottom of the unit.

Step 6. Once you have applied power and connected the proper cables on the bottom of the unit you may raise the unit by pushing down on the front of the top cover. The latching mechanism releases and the unit raises into position. To lower the unit, push on the top of the TNP Jr. until it locks into place.

3. Limited Warranty/Return Policies

Please see the Altinex website at www.Altinex.com for details on warranty and return policies.



4. Technical Specifications

Specifications are subject to change. See www.Altinex.com for up-to-date information.

Features/Description	TNP Jr.
TNP121 *	
Audio, Video, Communication *	6 ft. (2 m)
Computer Video	15-pin HD F-M (1)
Stereo Audio	3.5 mm F-M (1)
Network	CAT-6 RJ-45 F-M (1)
Modem	RJ-11 F-M (1)
Agency Approval	
UL/C-UL Listed	File E254082
TNP125 *	
Audio, Video, Communication	6 ft. (2 m)
Computer Video	HDMI F-M (1)
Computer Audio	3.5mm F-M (1)
Network	CAT-6 (RJ-45) F-M (1)
USB	USB Type A F-M (1)
Agency Approval	
UL/C-UL Listed	File E254082
TNP128 *	
Audio, Video, Communication	6 ft. (2 m)
Computer Video	15-pin HD F-M (1)
Computer Audio	3.5mm F-M (1)
HDMI®	HDMI F-M (1)
Network	CAT-6 (RJ-45) F-M (1)
Agency Approval	
UL/C-UL Listed	File E254082
TNP151 *	
Audio, Video, Communication *	6 ft. (2 m)
Network	CAT-6 (RJ-45) F-M (2)
Agency Approval	
UL/C-UL Listed	File E254082
TNP155 *	
Audio, Video, Communication*	6 ft. (2 m)
USB	USB Type A F-M (2)
Agency Approval	
UL/C-UL Listed	File E254082
All TNP Jr. Models *	
Pass-Through AC Power	9-10 ft. (2.7-3.0 m)
120 VAC, 60 Hz, 12 A	NEMA F-M
Accessories Included	
Hardware	-Mounting screws/nuts/brackets -Cable clamps/screws
USB Wall Adapter (PS5594UB)	-TNP155 accessory only

Table 1. TNP Jr. General

Mechanical	All TNP Jr. Models **
Max. Table Thickness	2.25 in (57 mm)
Height, opened	5.5 in (140 mm)
Width	4.6 in (117 mm)
Depth	4.9 in (124 mm)
Weight (approx.)	2.8 lb. (1.3 kg)
Shipping Weight	4.5 lb. (2.0 kg)
Finish	Standard: Matte Black Models ending in S: Brushed Aluminum
T° Operating (T° Max)	10°C-35°C (40°C)
Humidity	90% non-condensing

Table 2. Mechanical **

Electrical (Single outlet panel)	All TNP Jr. Models **
Power Rating (pass-through AC power)	120VAC, 60Hz, 12A Total Current

Table 3. Electrical **

* Models ending in C are customizable for

- round bezel
- stackable (2,3,4 up)
- mirror surface.

Models ending in S have brushed aluminum finish.

Models ending in W are designed for use in kitchens, bathrooms and countertops.

** Dimensions and ratings include the customizable "C" models, "S" models and "W" models.

Note: HDMI, the HDMI Logo, and High-Definition Multimedia Interface are trademarks or registered trademarks of HDMI Licensing LLC in the United States and other countries.

5. About Your Tilt 'N Plug Jr. Interconnect Box

All Tilt 'N Plug Jr. products belong to a family of compact interconnection solutions designed for installation into a table as part of a presentation system. They are designed for mounting into a table, podium, or other furniture to provide a way of connecting audiovisual equipment on top of the furniture to a presentation system below the furniture.

All use the same core element; a multimedia input plate that can be "tilted" open when needed and pushed closed when not needed.

All signals pass through the input plate directly to cables on the underside of the table with no intervening circuitry. The use of additional Altinex Signal Management Solutions such as computer video interfaces, distribution amplifiers, and switchers may be desirable.

The input plate of the Tilt 'N Plug Jr. is accessible by pushing down on the top cover. The unit then auto-tilts open with help from an internal pneumatic spring. Once open, the input plate remains securely in place.

The input plate is hidden by pressing down on the top cover until the latching mechanism engages. In its closed position, the top panel lies flush with the tabletop, held in place by the latching mechanism.

All Tilt 'N Plug Jr. Signal Management Solutions come with a standard top and bezel offering a high quality matte black finish. Models ending in S come with a brushed aluminum finish. Other finishes or special bezel configurations, including round bezels (CM1293/CM12394) and black mirrored bezel (CM1271) are available upon request. Please contact an Altinex representative to discuss custom options.

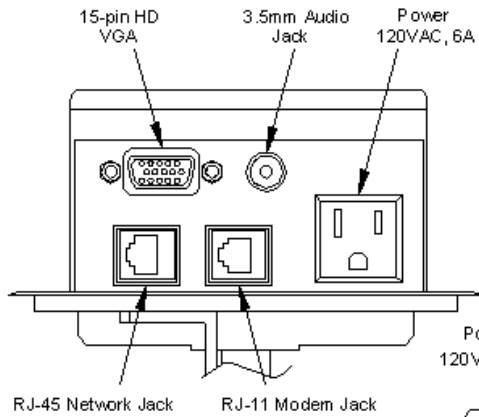
Stackable bezels are available in 2- (CM12462), 3- (CM12463), or 4- (CM12464) space configurations. These bezel frames enable integrators to select any units from the TNP Jr. or CNK Jr. families to configure an interconnect box system easily tailored to the customer's requirements. Our new mounting frames make it easy to stack two interconnect boxes together using a dual frame. The interconnects can face the same or opposite sides of the table. The 3up and 4up frames can be customized the same way, with individual interconnects facing whichever side of the table the customer requires. Integrators can now select any of the TNP Jr. or CNK Jr. units and specify these new stackable bezels to create a unique, multiple table top interconnect solution. Select from dual power with USB charging, HDMI or VGA ports, or USB and network. Anything required for the most sophisticated meeting rooms can be installed into the new Altinex stackable frames.

Models ending in W come with the added safety GFCI plug and are UL listed for use in kitchens, bathrooms, and countertops. They can be safely installed into custom kitchen counters, bars, or any other location where water is typically splashed. The result is greater installation flexibility for AV integrators and enhanced safety for end users that is backed by UL's rigorous safety standards

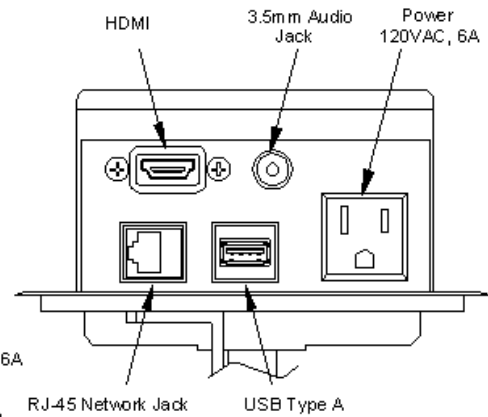


TNP128 Shown here

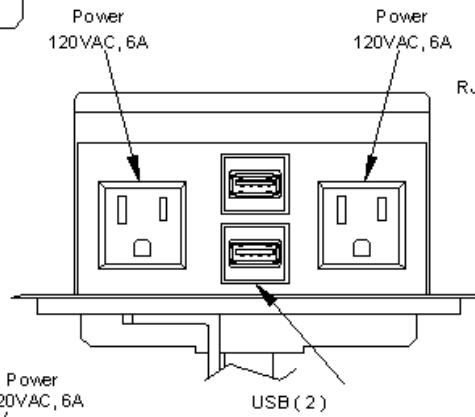
Faceplates for the TNP Jr. Interconnect Boxes



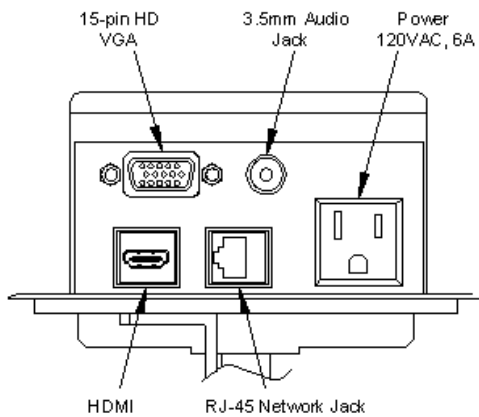
TNP121 Faceplate



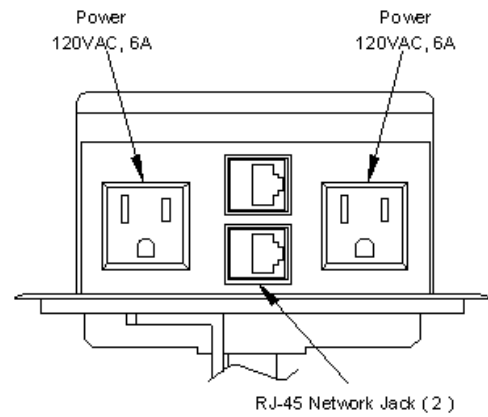
TNP125 Faceplate



TNP155 Faceplate



TNP128 Faceplate



TNP151 Faceplate

6. Application Diagrams

Diagram 1: Single Unit Dimensions

(TNP121, TNP125, TNP128, TNP151, and TNP155 - includes models ending in C, S, and W)

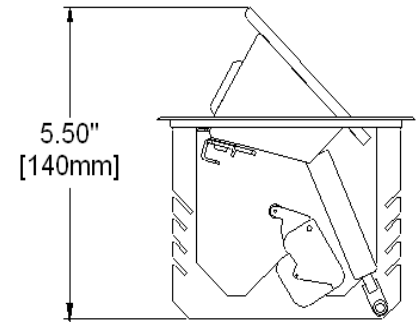
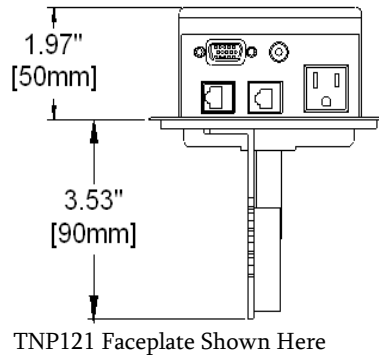
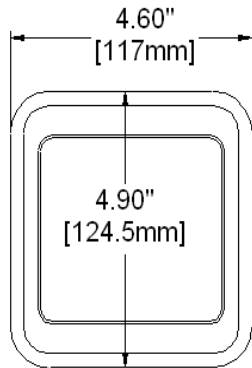


Diagram 2: Custom TNP Jr. Unit with round bezel Dimensions

(TNP121, TNP125, TNP128, TNP151, and TNP155 - includes models ending in C, S & W)

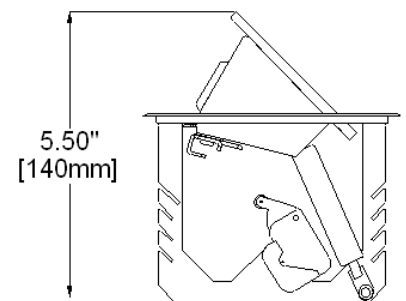
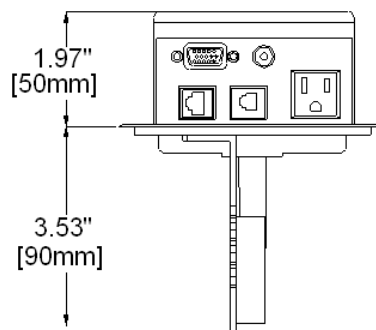
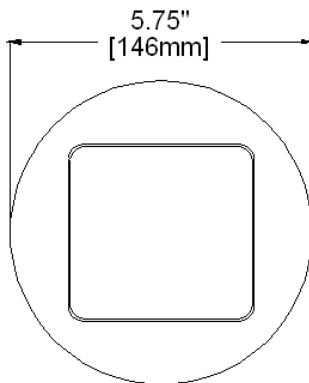


Diagram 3: Stackable bezels Dimensions

Can be used with TNP121, TNP125, TNP128, TNP151, and TNP155 - includes models ending in C & W)

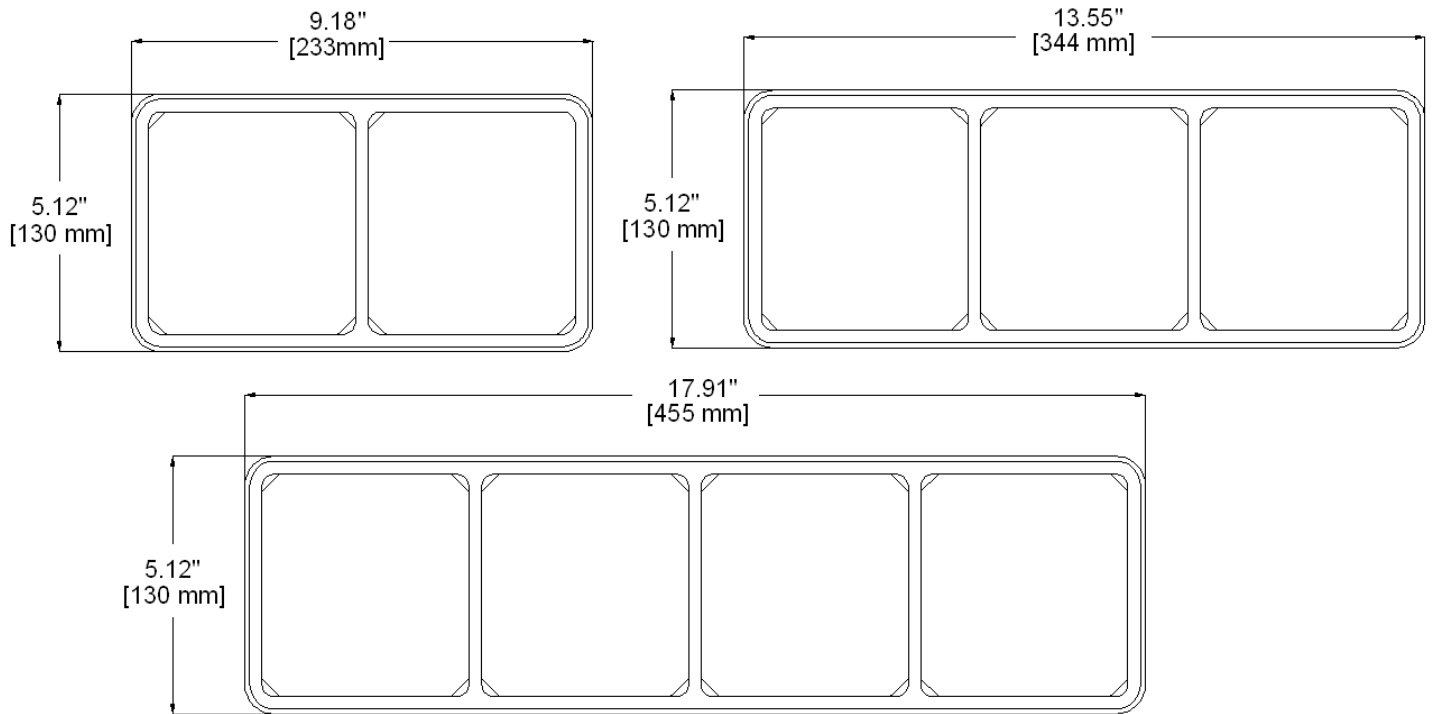


Diagram 4: TNP128 Application Diagram

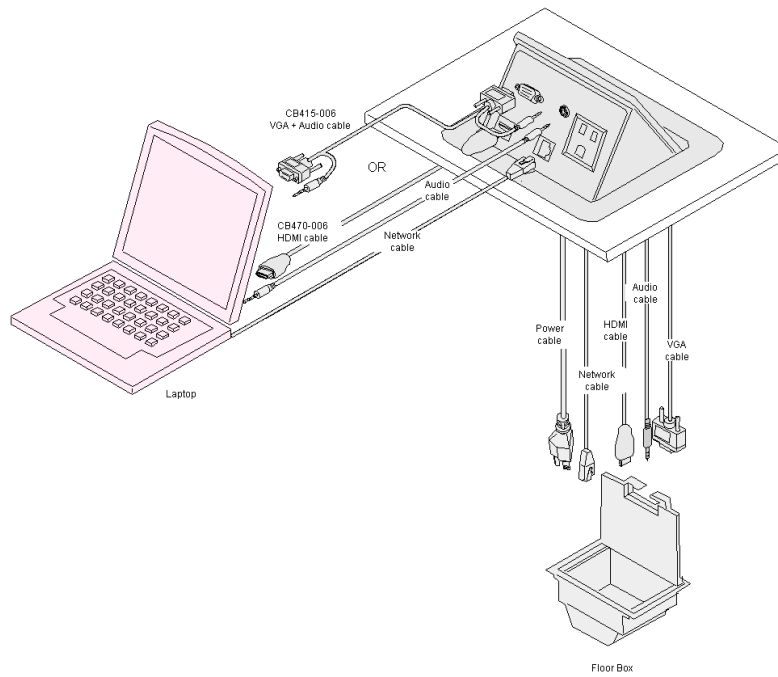
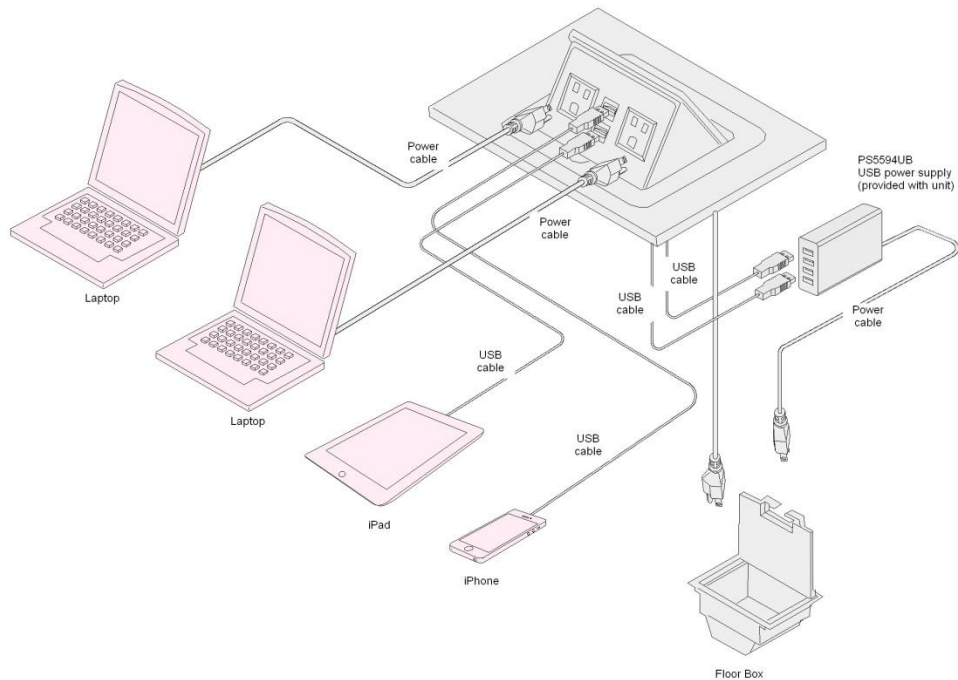


Diagram 5: TNP155 Application Diagram



7. Operation

7.1 Opening and Closing the Tilt 'N Plug Jr.

The Tilt 'N Plug Jr. will open easily when the top is pressed down and then released.

When the Tilt 'N Plug Jr. is not in use, simply press the top down until it is level with the surface of the table and then release. The unit will remain hidden until needed again.

7.2 Power/Signal Connections

Connect external devices to the appropriate connector on the Tilt 'N Plug Jr. Remember, the devices plugged into the AC power connectors should not draw more than 12A AC.

8. Troubleshooting Guide

The Tilt 'N Plug Jr. supplied was carefully tested and no problems were detected. However, we would like to offer the following suggestions:

- Please make sure that the highest quality network cables are used.
- Make sure that no cable or power cord is damaged or pinched. If there has been damage, do not use the Tilt 'N Plug Jr. Please call the Altinex Customer Service Department at (714) 990-2300 to have the unit repaired.
- If the unit does not rise into position correctly, check the service loops for the signal and power cords on the bottom of the unit.