

4

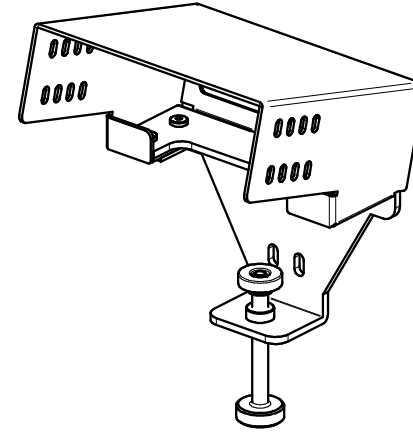
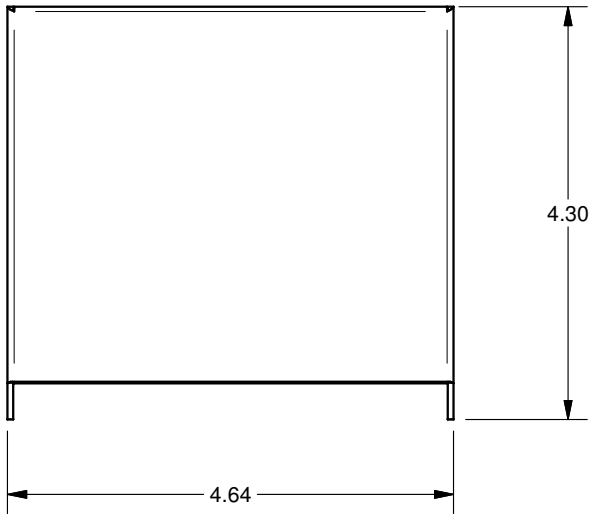
3

2

1

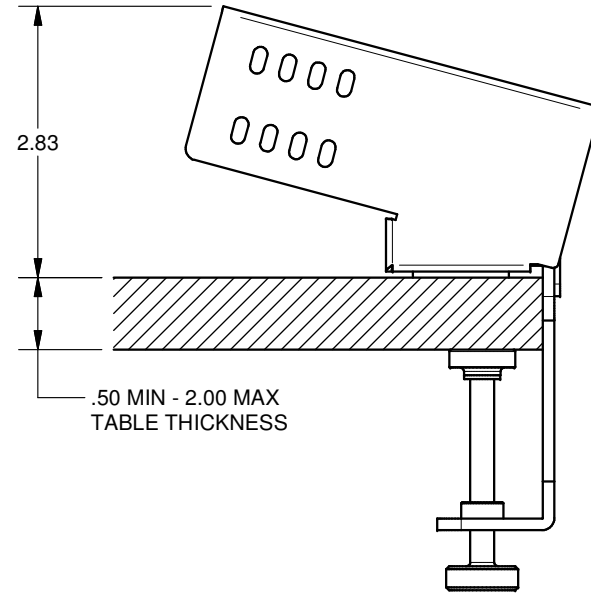
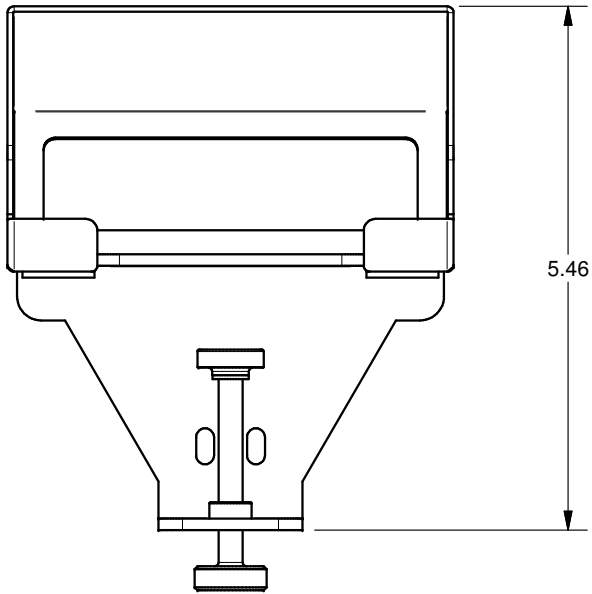
C

C



B

B



A

A

4

3

2

1

FSR inc.
 244 BERGEN BLVD.
 WOODLAND PARK, NJ 07424
 TEL (973) 785-4347
 FAX (973) 785-3318

TITLE:	TM-OT1CL		
DRAWN BY:	JRE	DATE:	03/08/17
REV:	-	SCALE:	-
DWG#:	TM-OT1CL	SCALE:	-