

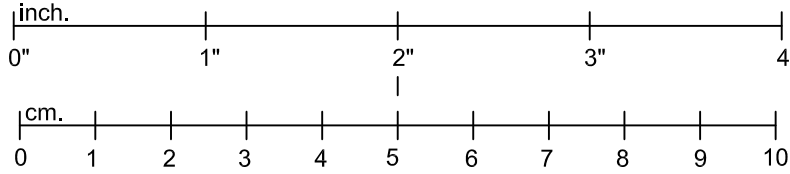
# 1. STOP

VERIFY ALL DIMENSIONS TO ENSURE THAT THIS PRINT IS 1 TO 1 SCALE.

# 2. MEASURE

# 3. CUT

Document p/n:  
250-0781-005  
Page 1 of 8

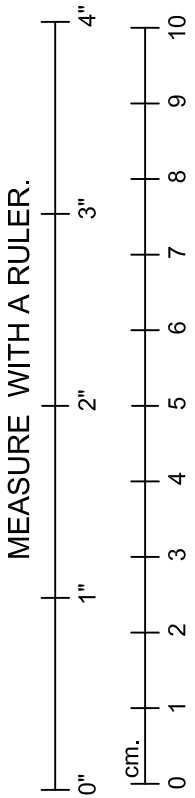


MEASURE WITH A RULER.

$\phi 5.250''$   
[ $\phi 133.35$ ]

.150" [3.81]  
MAX. GAP  
CLEARANCE

.050" [1.27]  
MIN. GAP  
CLEARANCE



DO NOT DAMAGE OR THROW AWAY  
THIS PORTION. THIS IS TOP COVER.

USE APPROPRIATE  
ROUTE TOOL TO  
ROUTE A GAP  
NO GREATER THAN  
.150" & NO LESS  
THAN .05"

DO NOT SCALE OR ADJUST!

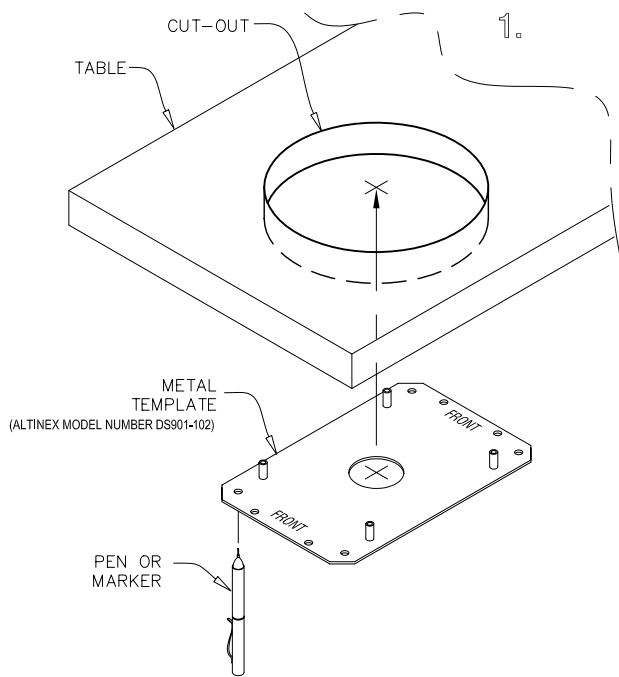
**ALTINEX**<sup>®</sup>  
ALTINEX, INC. IS NOT RESPONSIBLE  
FOR ANY DAMAGE TO A TABLE  
OR DESK.

ALTINEX, INC.  
MODEL NUMBERS:  
PNP415

# 1. STOP

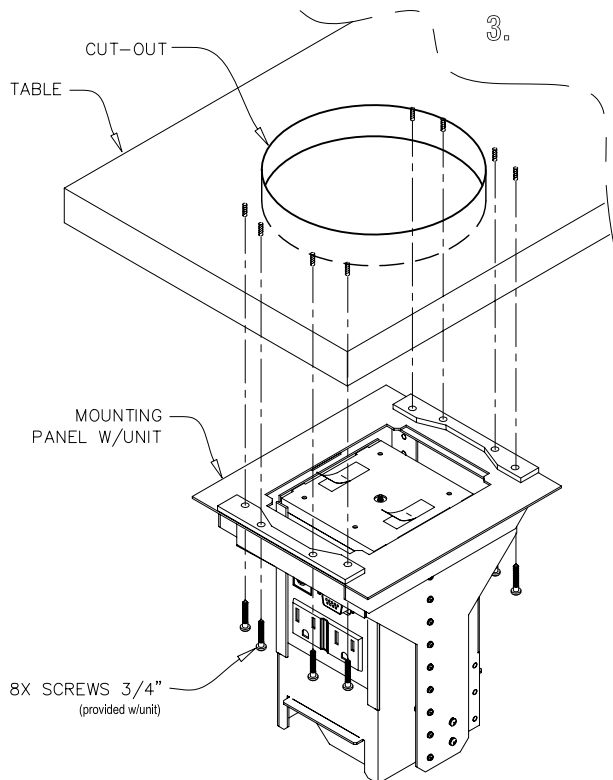
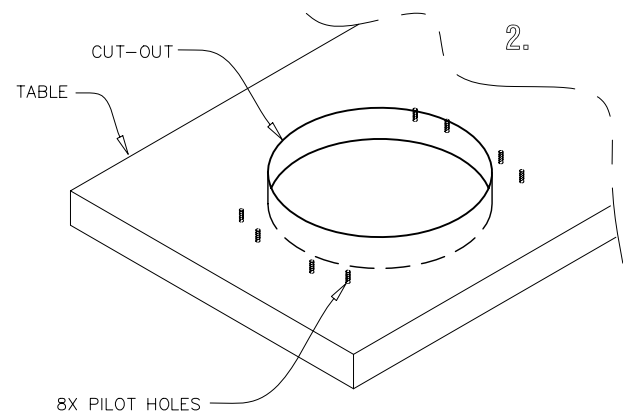
# 2. MEASURE

# 3. CUT

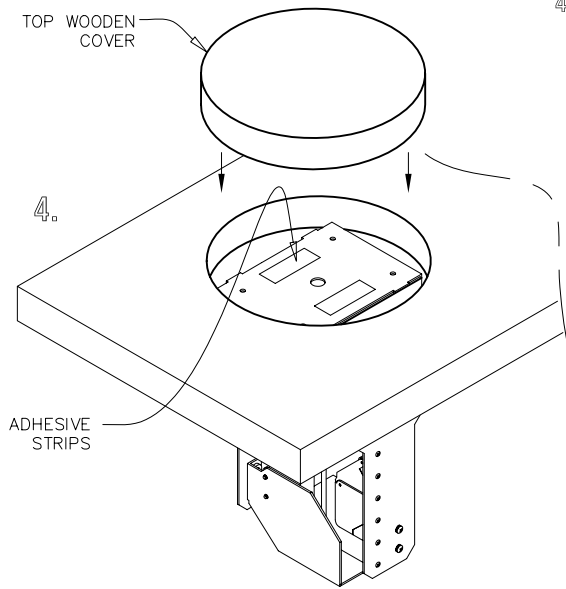


1. Once the initial cut-out has been made to the table, use metal template provided by Altinex to find the location of the pilot holes. Mark the location with a fine marker or pen.

2. Pre-drill pilot holes 8 times in the marked locations for a #6 wood screw:  
softwood  $\text{Ø}1/16''$ ,  
hardwood  $\text{Ø}5/64''$   
The pilot holes should be around .375" inches deep.

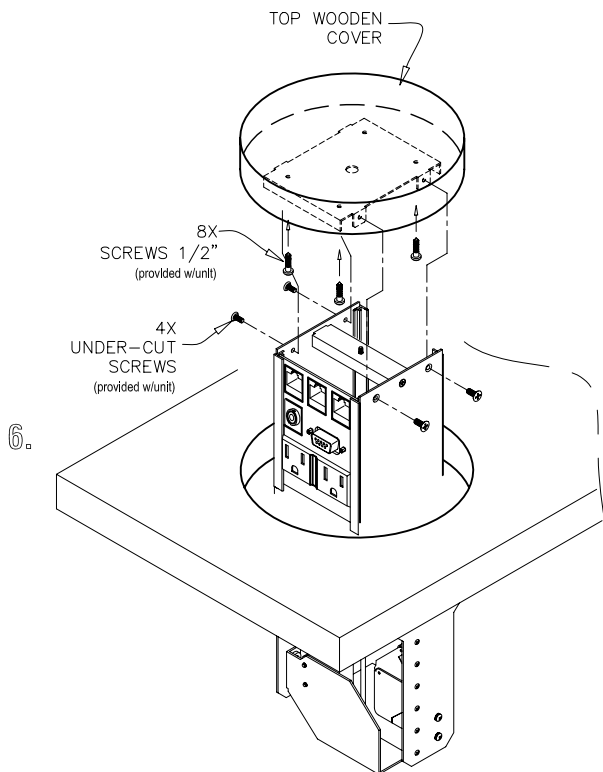
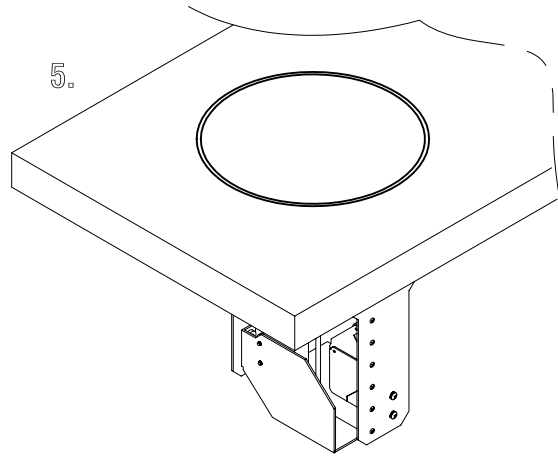


3. Secure the mounting panel with unit under the table using provided screws 3/4" long. Use screws as specified on labels in the plastic bags provided in the kit. The mounting screws that are provided with the unit should not be used on tables less than 3/4" thick.



4. Close unit.  
Remove top protection layer of both adhesive strips.  
Place the wooden cover over the top cover with adhesive strips.

5. Align the wooden cover so that the space around the wooden cover is symmetrical. If the space is not equal from first try, peel the wooden cover off and try again, until it is aligned perfectly.

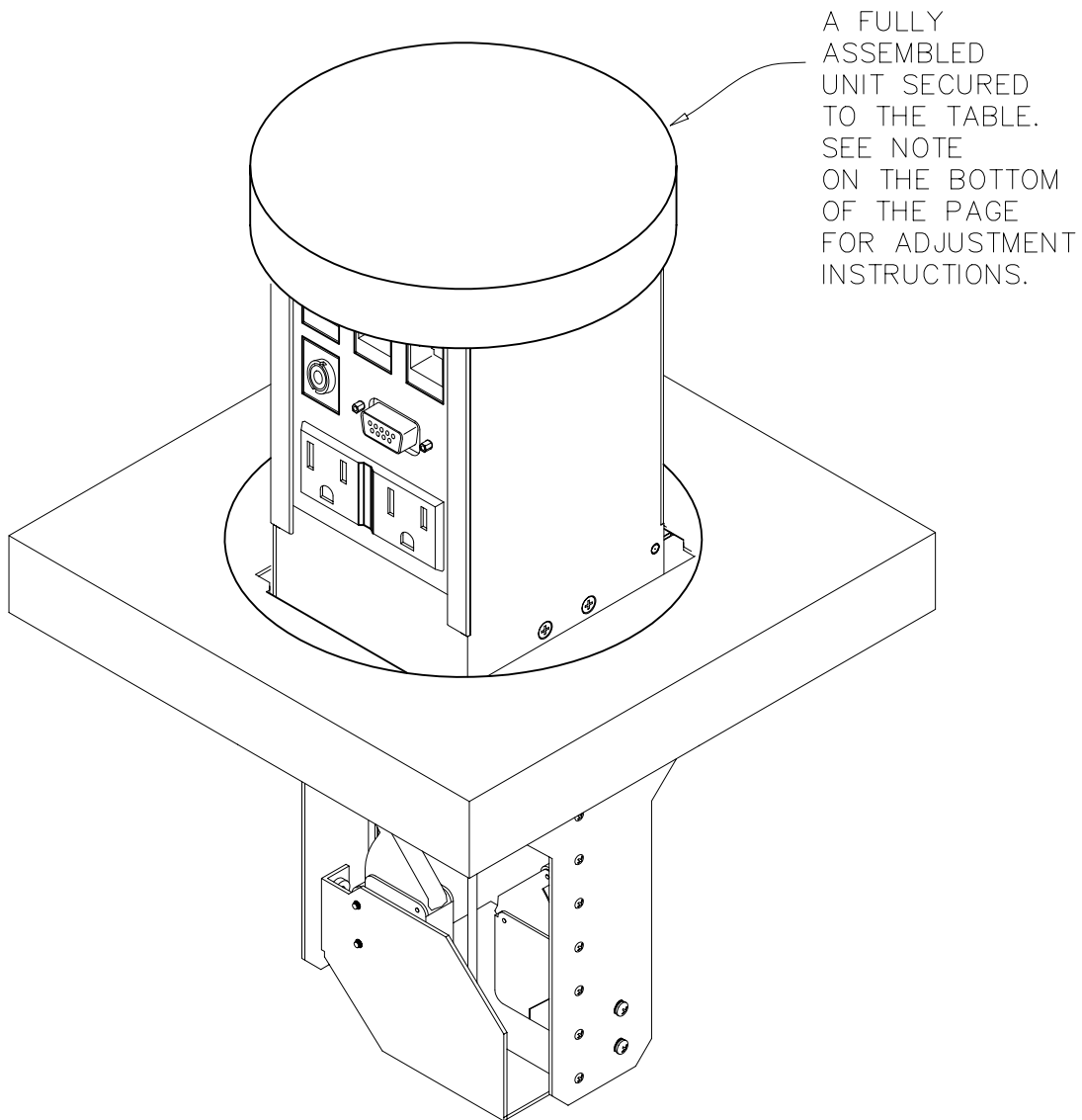


6. Once the wooden cover is aligned remove the 4 under cut screws that are mounted top cover plate, pick-up the wooden cover along with the top cover plate and mount both parts together. Pre-drill pilot holes 4 times in the hole locations for a #6 wood screw: softwood  $\text{Ø}1/16''$ , hardwood  $\text{Ø}5/64''$ . The pilot holes should be approx.  $.375''$  deep. Use provided  $1/2''$  screws to mount the wooden cover to the top cover panel. Then make sure the unit is up and secure the top cover to the unit using under-cut screws provided by Altinex.

THIS  
ILLUSTRATION  
IS NOT 1:1  
SCALE

Document p/n:  
250-0781-005  
Page 3 of 8

**ALTINEX**®



*To adjust and align the unit to the surface of the table, simply:*

- 1. Close the unit. 2. Loosen all four wing nuts under the table.*
- 3. Press the unit down or upwards from below the desk until it aligns with the surface of the desk. 4. And tighten the wing nuts below the desk.*

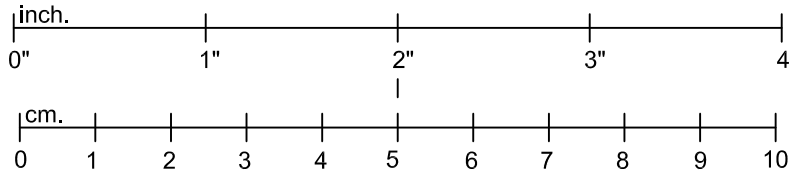
# 1. STOP

VERIFY ALL DIMENSIONS  
TO ENSURE THAT THIS  
PRINT IS 1 TO 1 SCALE.

# 2. MEASURE

# 3. CUT

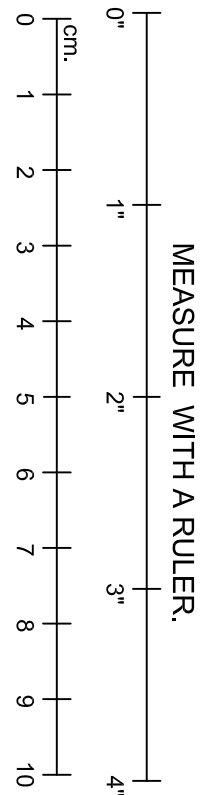
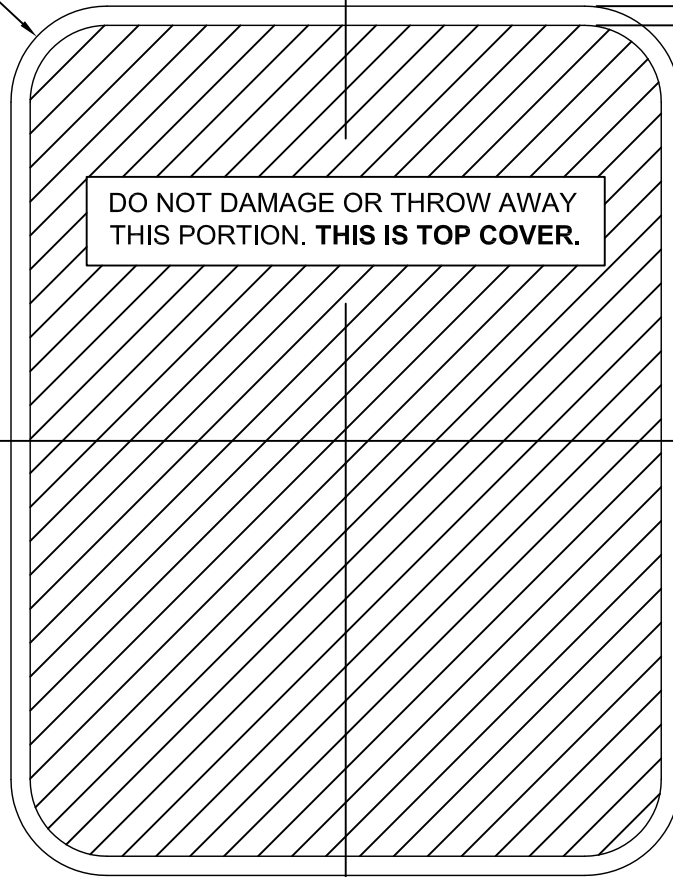
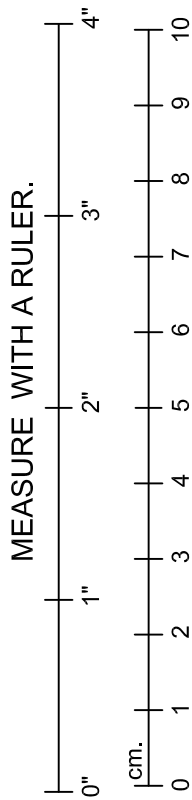
Document p/n:  
250-0781-005  
Page 5 of 8



MEASURE WITH A RULER.

4X  
R.500"  
[R12.70]

.100"  
[2.54]



DO NOT SCALE OR ADJUST!

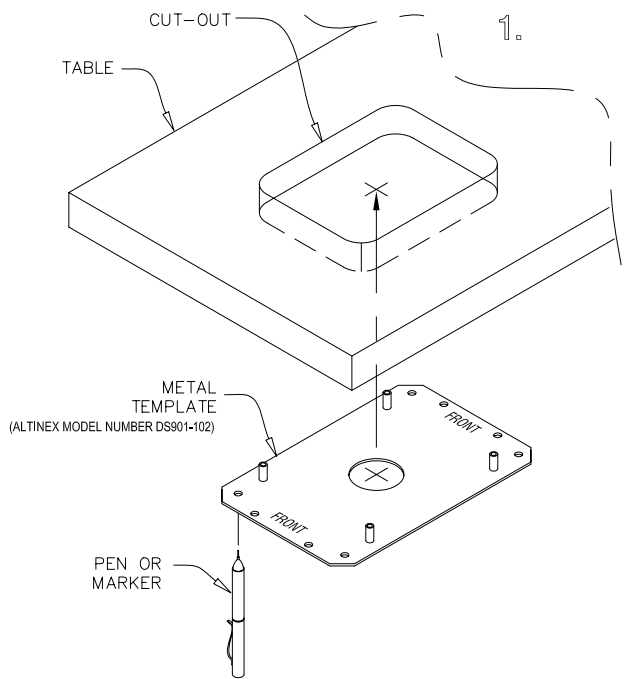
**ALTINEX**<sup>®</sup>  
ALTINEX, INC. IS NOT RESPONSIBLE  
FOR ANY DAMAGE TO A TABLE  
OR DESK.

ALTINEX, INC.  
MODEL NUMBERS:  
PNP415

# 1. STOP

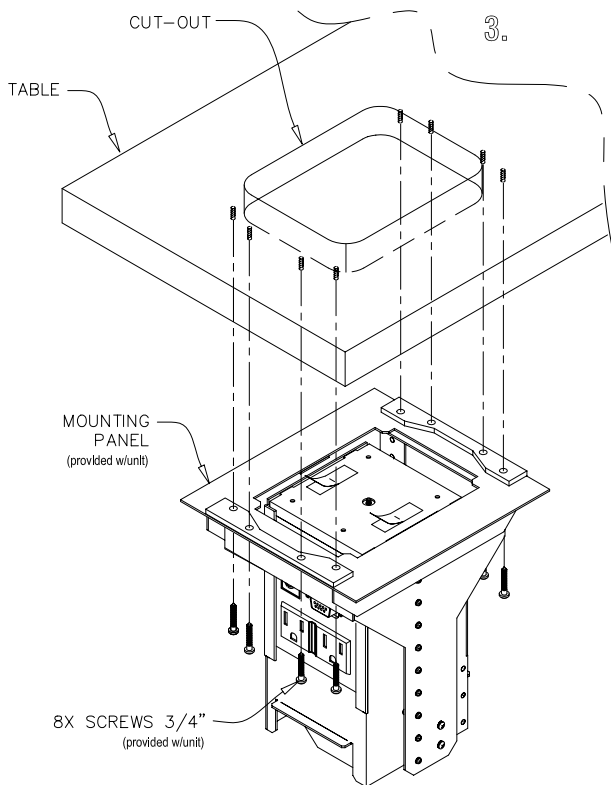
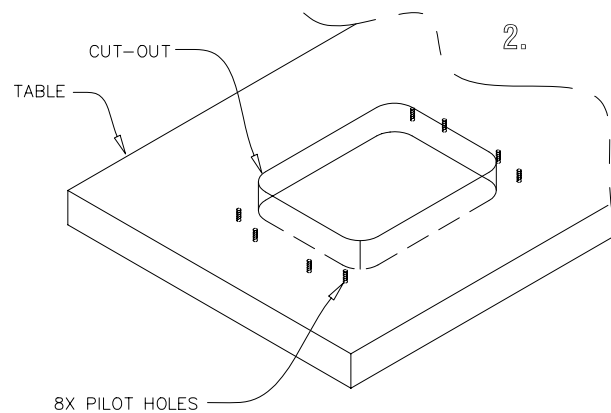
# 2. MEASURE

# 3. CUT

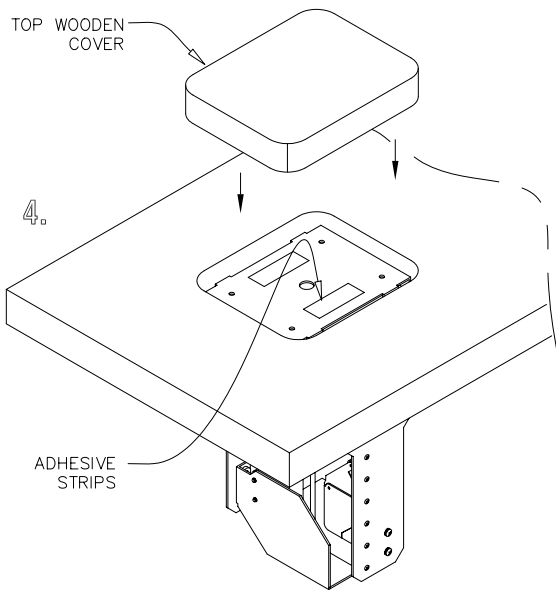


1. Once the initial cut-out has been made to the table, use metal template provided by Altinex to find the location of the pilot holes. Mark the location with a fine marker or pen.

2. Pre-drill pilot holes 8 times in the marked locations for a #6 wood screw:  
softwood  $\text{Ø}1/16''$ ,  
hardwood  $\text{Ø}5/64''$   
The pilot holes should be around .375" inches deep.

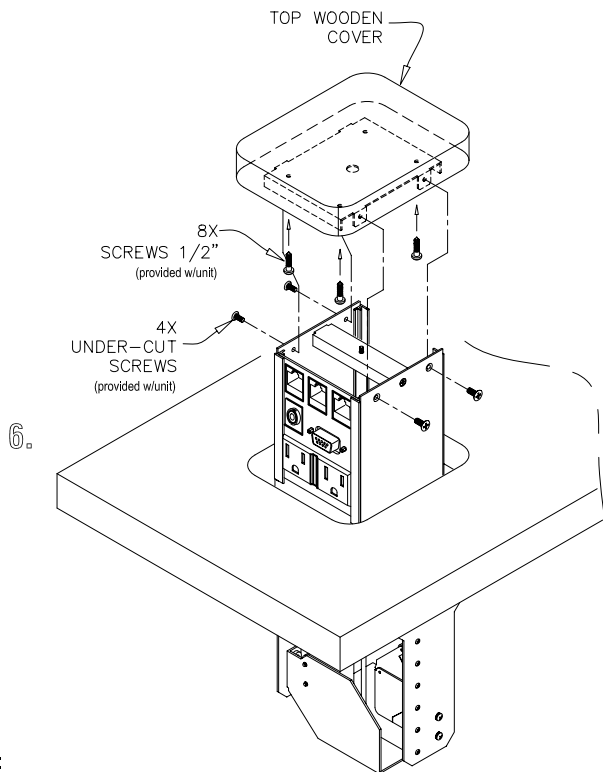
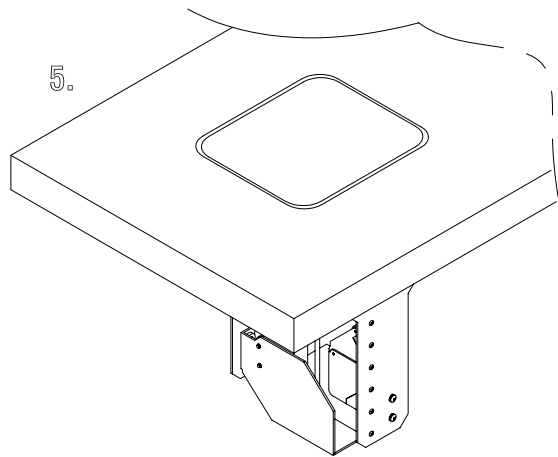


3. Secure the mounting panel with unit under the table using provided screws 3/4" long. Use screws as specified on labels in the plastic bags provided in the kit. The mounting screws that are provided with the unit should not be used on tables less than 3/4" thick.



4. Close unit.  
Remove top protection layer of both adhesive strips.  
Place the wooden cover over the top cover with adhesive strips.

5. Align the wooden cover so that the space around the wooden cover is symmetrical all around.  
If the space is not equal from first try, peel the wooden cover off and try again, until it is aligned perfectly.



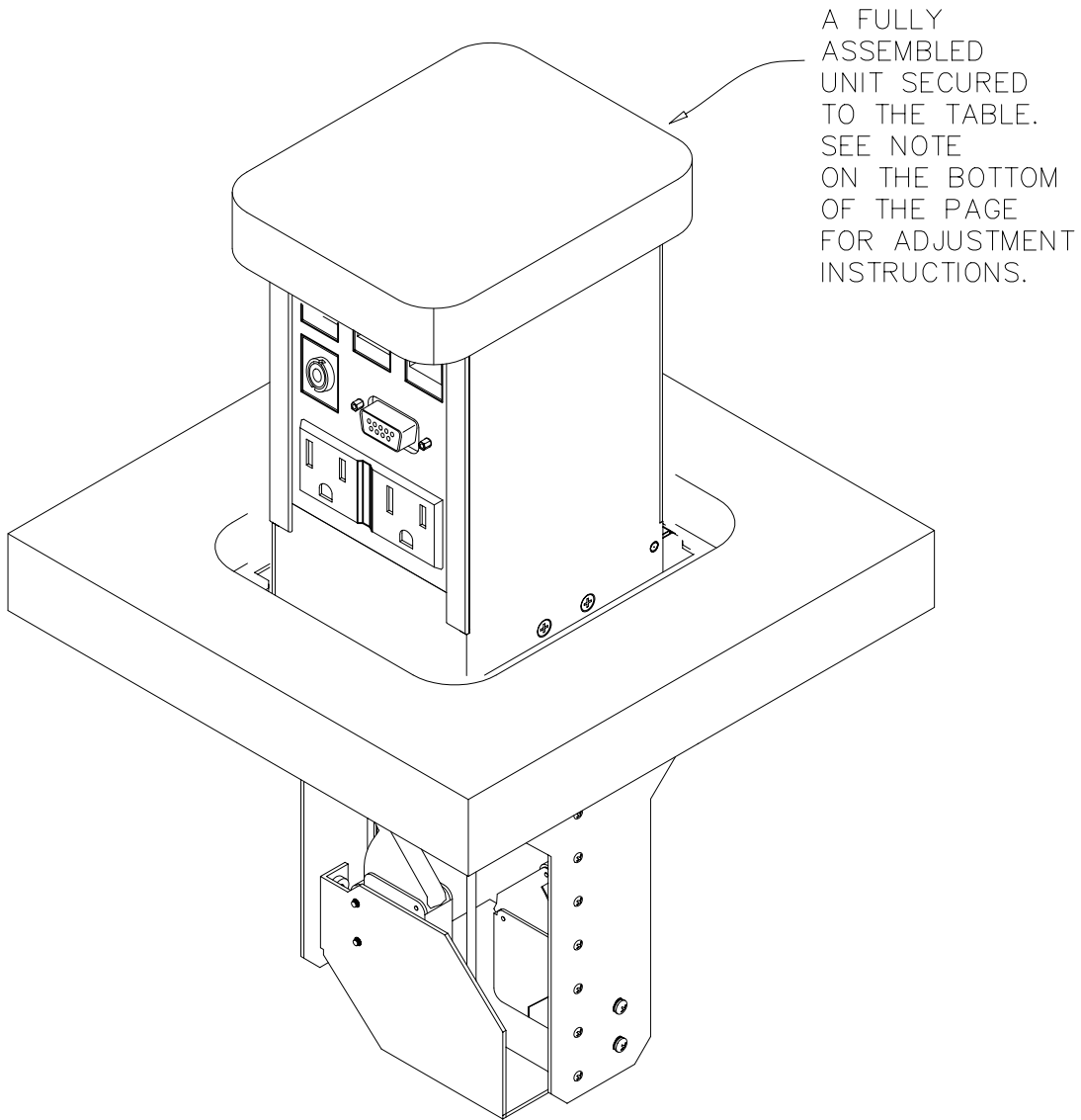
6. Once the wooden cover is aligned remove the 4 under cut screws that are mounted top cover plate, pick-up the wooden cover along with the top cover plate and mount both parts together. Pre-drill pilot holes 4 times in the hole locations for a #6 wood screw: softwood  $\text{Ø}1/16"$ , hardwood  $\text{Ø}5/64"$ . The pilot holes should be approx.  $.375"$  deep. Use provided  $1/2"$  screws to mount the wooden cover to the top cover panel. Then make sure the unit is up and secure the top cover to the unit using under-cut screws provided by Altinex.

THIS ILLUSTRATION IS NOT 1:1 SCALE

Document p/n:  
250-0781-005  
Page 7 of 8

**ALTINEX**<sup>®</sup>  
ALTINEX, INC. IS NOT RESPONSIBLE FOR ANY DAMAGE TO A TABLE OR DESK.

THIS  
ILLUSTRATION  
IS NOT 1:1  
SCALE



A FULLY  
ASSEMBLED  
UNIT SECURED  
TO THE TABLE.  
SEE NOTE  
ON THE BOTTOM  
OF THE PAGE  
FOR ADJUSTMENT  
INSTRUCTIONS.

*To adjust and align the unit to the surface of the table:*

- 1. Close the unit. 2. Loosen all four wing nuts under the table.*
- 3. Press the unit down or upwards from below the desk until it aligns with the surface of the desk. 4. And tighten the wing nuts under the table.*

Document p/n:  
250-0781-005  
Page 8 of 8

**ALTINEX**<sup>®</sup>  
ALTINEX, INC. IS NOT RESPONSIBLE  
FOR ANY DAMAGE TO A TABLE  
OR DESK.