



Scan for full manual

KRT-4 Quick Start Guide

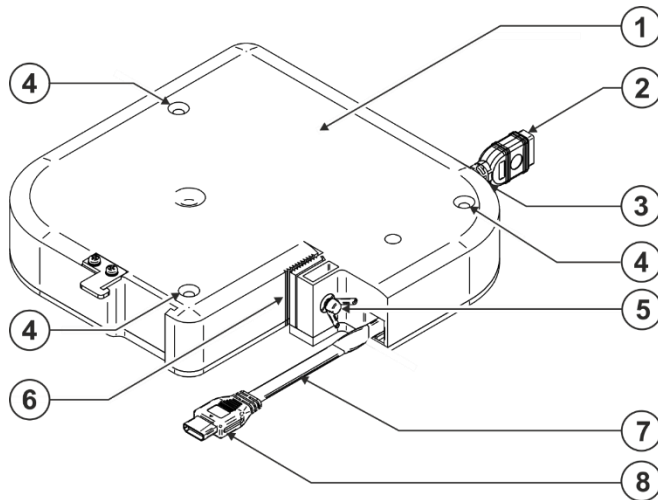
This guide helps you install and use your KRT-4 for the first time.

Go to www.kramerav.com/downloads/KRT-4 to download the latest user manual and check if firmware upgrades are available.

Step 1: Check what's in the box

- KRT-4 Cable Retractor
- 4 M3x8 screws
- WCP (KRT) insert kit

Step 2: Get to know your KRT-4



KRT-4 is available for the following cables: HDMI™, VGA, audio (3.5mm), LAN, USB-3.0, USB-C, MDP/H (up to 4K30Hz), 3H2 (HDMI extender) and DisplayPort. Refer to www.kramerav.com/product/KRT-4 for the updated configuration list.

#	Feature	Function
1	Retractor Enclosure	Contains the retractable cable mechanism.
2	Fixed Cable Female Connector	Connect to a male connector under the table.
3	Fixed Cable End	Short connector cable.
4	Screw Openings for Mounting Under the Table (3)	Use to attach the KRT-4 directly under a table.
5	Wing-Head Thumb Screw	Use to turn and lock KRT-4 to the TBUS enclosure.
6	TBUS Installation Slot	Insert TBUS enclosure side into the slot to attach KRT-4 to a TBUS.
7	Retracting Cable	Pull to connect to a connector above the table.
8	Retracting Cable Male Connector	Connect to a female connector.

The terms HDMI, HDMI High-Definition Multimedia Interface, and the HDMI Logo are trademarks or registered trademarks of HDMI Licensing Administrator, Inc.

Step 3: Install KRT-4

Use this procedure to mount **KRT-4** onto the following Kramer TBUS units: TBUS-1AXL, TBUS-3xl, TBUS-4xl, TBUS-5xl, TBUS-6xl and TBUS-10XL and so on.

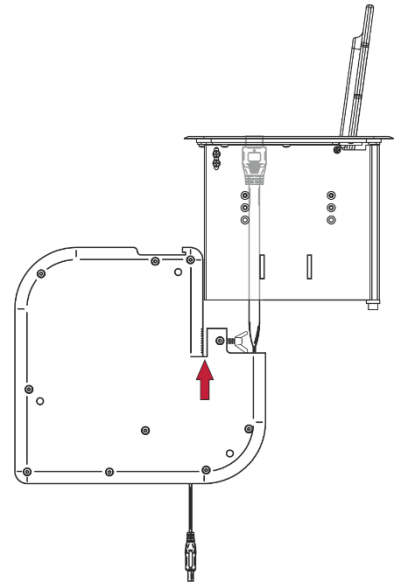
- Before mounting the **KRT-4** onto a TBUS, you need to configure and install the TBUS inner frame (including inserts and power sockets) and mount the TBUS onto a table.
- Remember to prepare an opening in the TBUS inner frame for the retracting cable connector (for example, use the Kramer WCP pass-through insert).



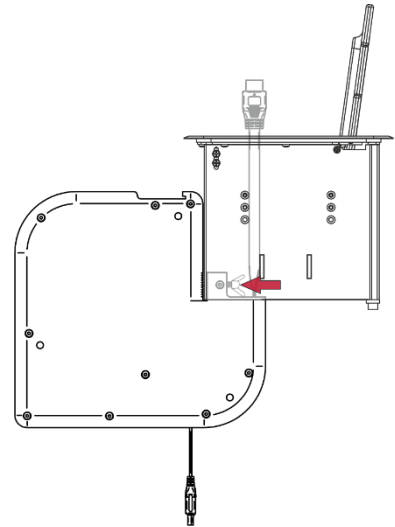
- Ensure that the environment (e.g., maximum ambient temperature & air flow) is compatible for the device.
- Avoid uneven mechanical loading.
- Appropriate consideration of equipment nameplate ratings should be used for avoiding overloading of the circuits.
- Reliable earthing of rack-mounted equipment should be maintained.

To attach KRT-4 to a TBUS:

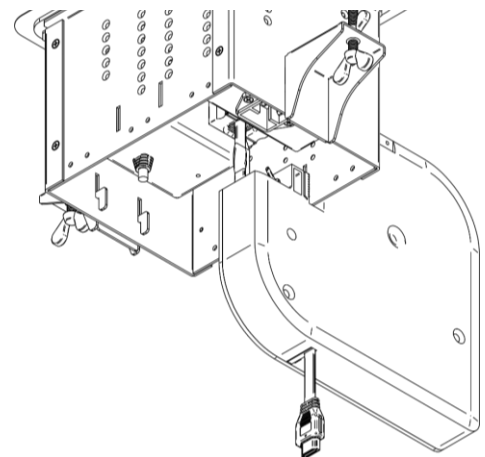
1. From under the table, slide the **KRT-4** onto one of the side walls of the TBUS.
Make sure that the fixed cable is directed downwards and the retracting cable is directed upwards.



2. Use the wing-head thumb screw to fix the **KRT-4** firmly in place and pass the retracting cable end through the cable pass-through bushing.



The **KRT-4** is now firmly fixed in place.



Attaching KRT-4 (as a Standalone) to the Underside of a Table



The thickness of the table should be at least 18mm so as not to damage the table. Kramer Electronics is not responsible for any damage caused to the table.

To attach KRT-4 to the underside of a table:

1. Place the **KRT-4** under the table in the desired location.
Make sure that the retracting cable faces the edge of the table.
2. Pass the 3 M4x50 screws through the table screw openings and tighten them to fix the retractor under the table.

