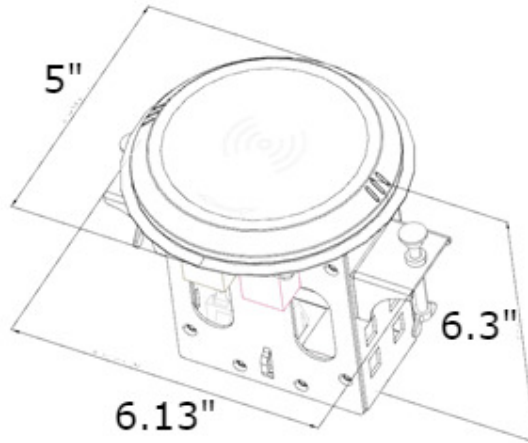
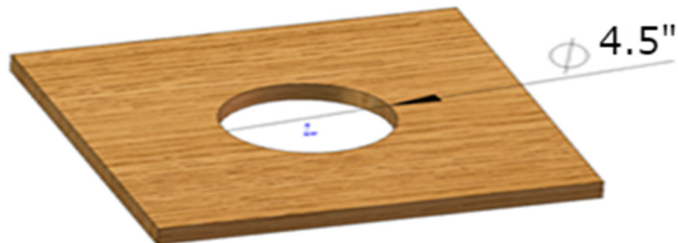


Installation Instructions

1. Box dimensions



2. Cutout dimensions



3. Start installation

- Choose the proper holes to hang the clamps according to the table thickness



- Hang the clamps onto the holes



- Put the box in the table, hang on and fasten the two clamps by hand

