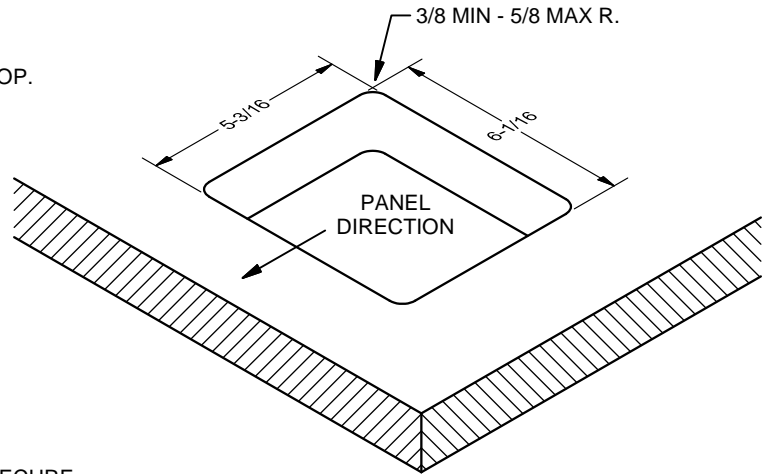
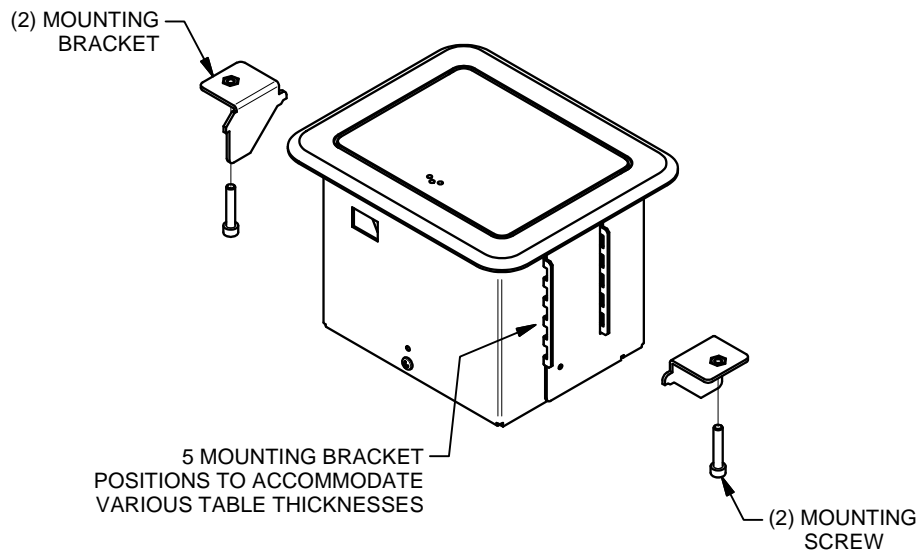
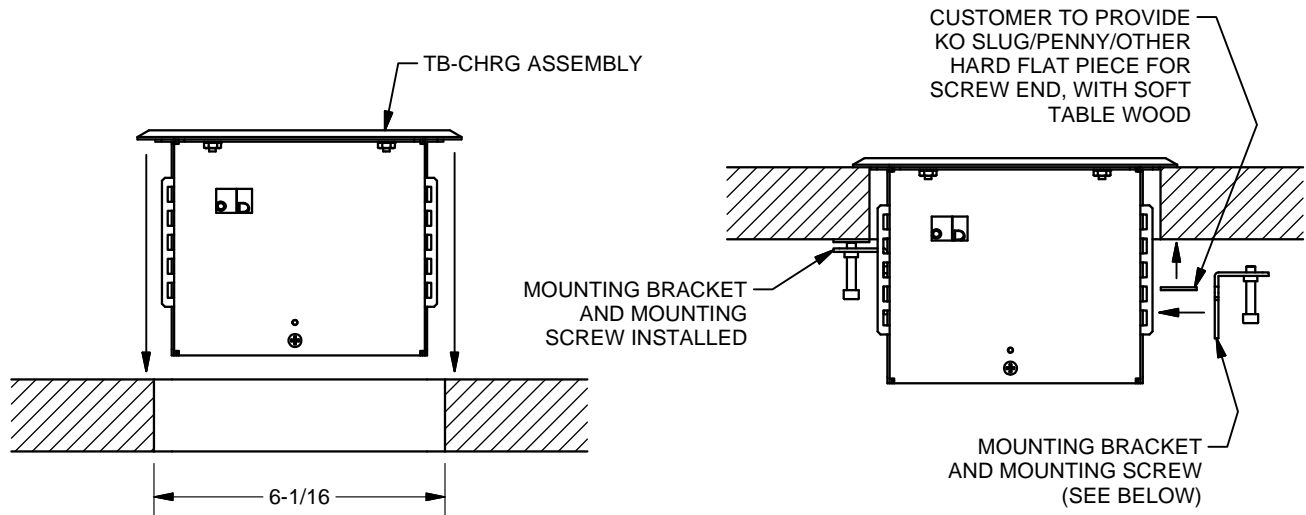


1. DETERMINE LOCATION AND CUT 6-1/16 x 5-3/16 HOLE WITH 3/8 MIN - 5/8 MAX RADIUS CORNERS IN TABLE TOP.



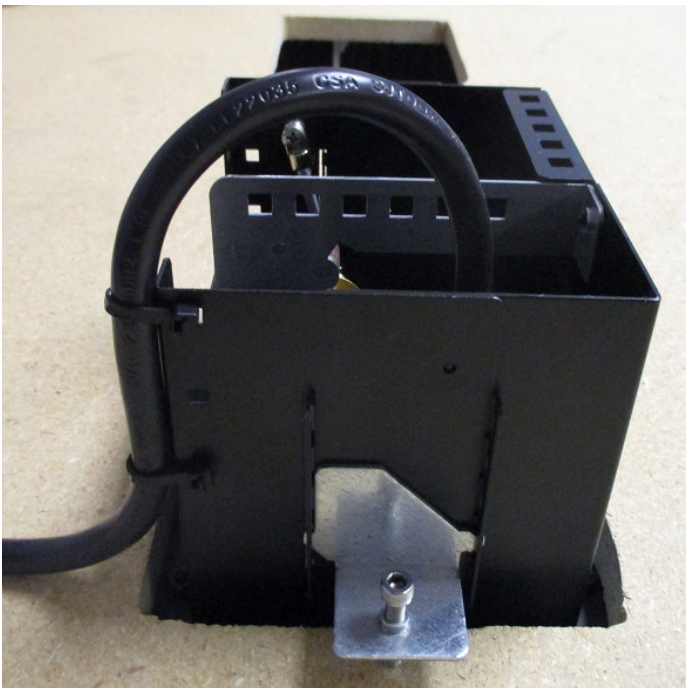
2. INSTALL MOUNTING BRACKETS TO ASSEMBLY AND SECURE TO TABLE BY SCREWING MOUNTING SCREWS TO UNDERSIDE OF TABLE.



BEFORE TIGHTENING CABLE TIES, DO THE FOLLOWING:

1. Ensure loop for the A/C cord does not touch any edge when in the open position.
2. Test cycle the unit to ensure AC cord make contact with any edges or components inside the box.

Shown with lid closed.



Shown with lid opened.