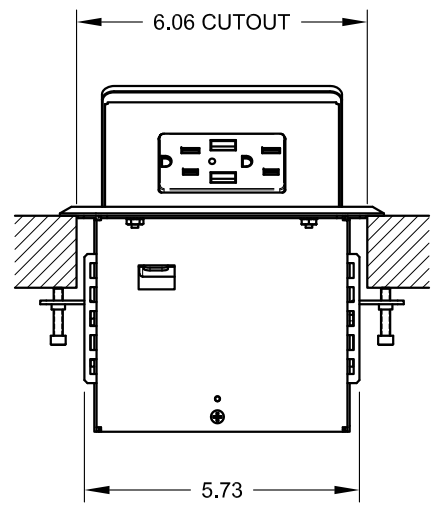
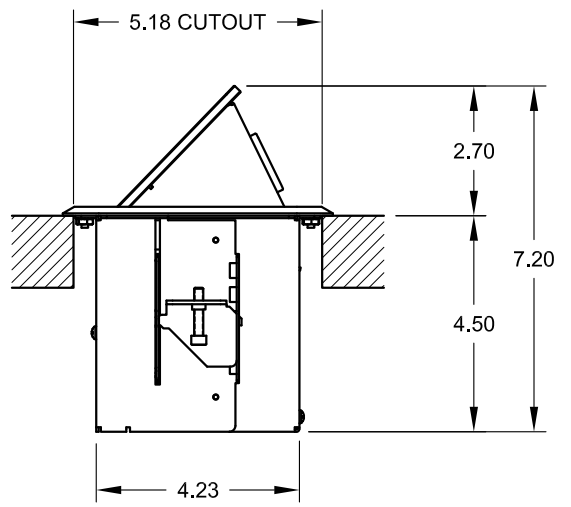
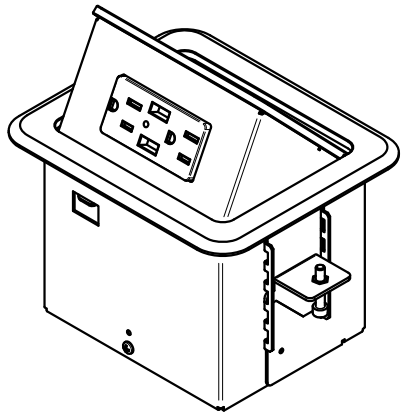
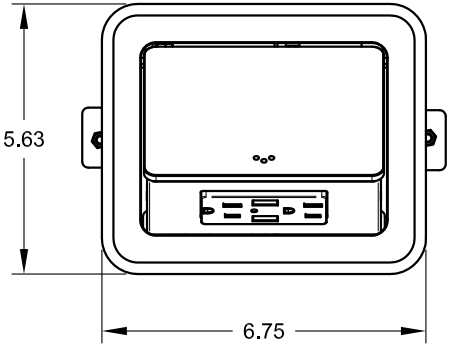
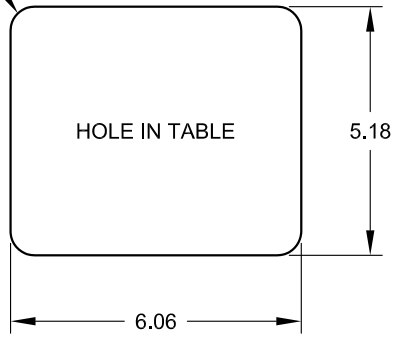


.25 R MIN
.63 R MAX



FSR inc.
244 BERGEN BLVD.
WOODLAND PARK, NJ 07424
TEL: (973) 785-4347
FAX: (973) 785-3318

TITLE: TB-CHRG		
DRAWN BY: JRE	DATE: 11/10/15	REV: -
DWG#: TB-CHRG	SCALE: -	