

4 3 2 1

C

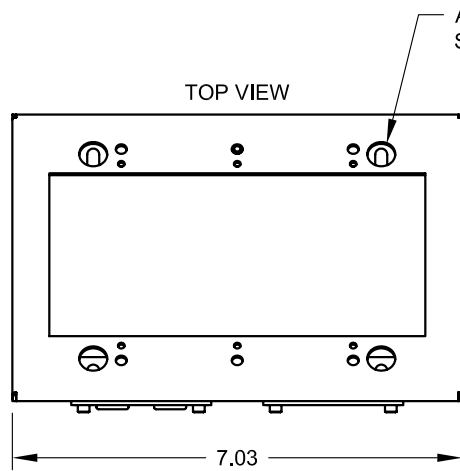
C

B

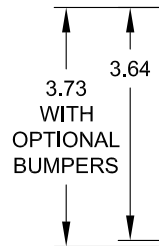
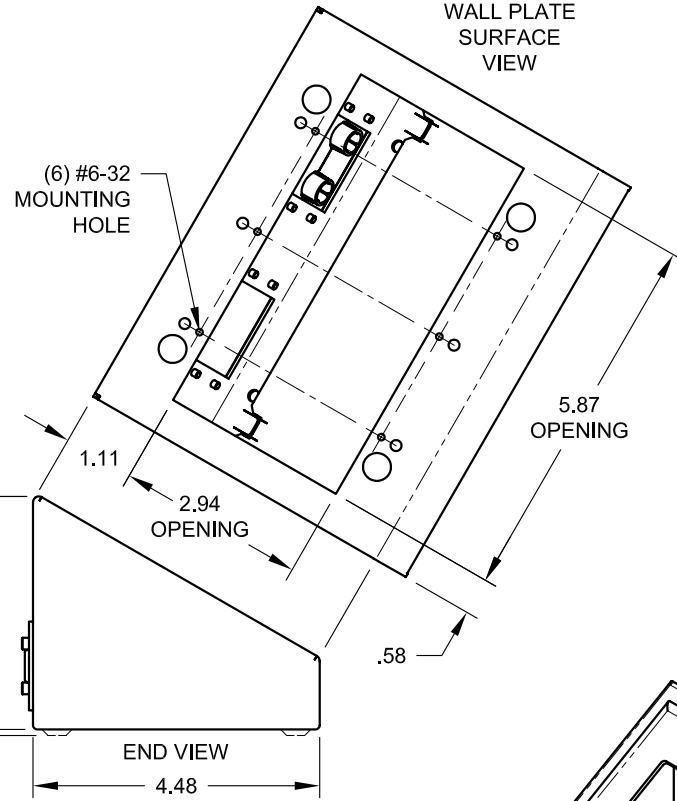
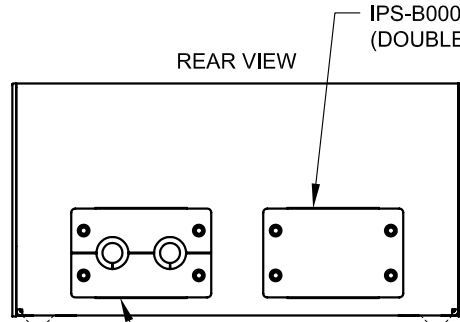
B

A

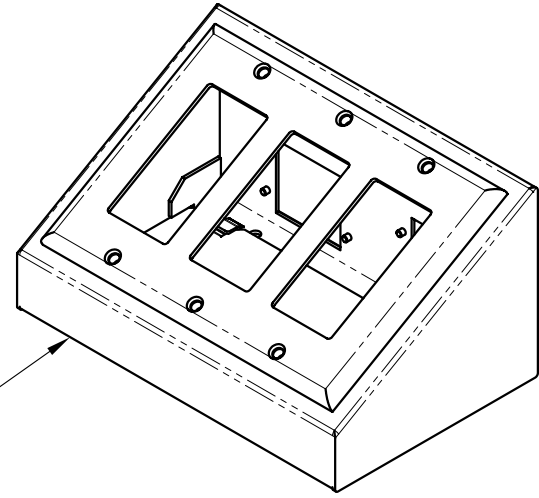
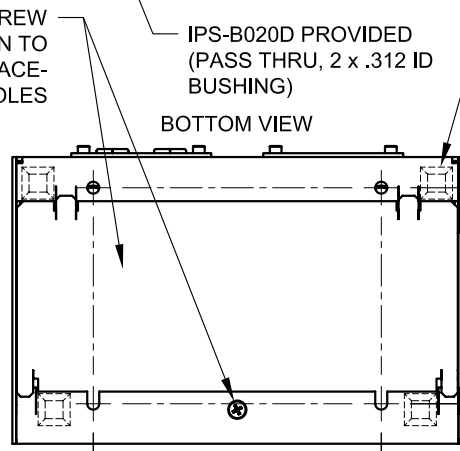
A



ACCESS HOLES FOR SURFACE-MOUNTING SCREWS (BOTTOM PAN NOT SHOWN)



REMOVE SCREW AND BOTTOM PAN TO USE SURFACE-MOUNTING HOLES



FSR <i>INC.</i> 244 BERGEN BLVD. W. PATERSON, NJ 07424 TEL. (973) 785-4347 FAX (973) 785-3318	TITLE: DSKB-3G		
	DRAWN BY: JRE	DATE: 01/18/07	REV: -
	DWG#: DSKB-3G	SCALE: 1:3	

4 3 2 1