

Welcome!

Everyone at Altinex greatly appreciates your CNK-IP-200 purchase. We are confident you will find it to be reliable and easy to use. If you need support, do not hesitate to call at 714-990-2300.

At Altinex, we are committed to developing unique and state of the art Signal Management Solutions® for demanding audiovisual installations. Welcome to the Altinex family of satisfied customers around the world!

1. Precautions and Safety Warnings

Please read this manual carefully before using your CNK-IP-200. Keep this manual handy for reference. These instructions are to ensure the long life of your CNK-IP-200 and to prevent fire and shock hazards. Please read carefully and heed all warnings.

1.1 General

- Qualified Altinex service personnel or their authorized representatives must perform all service.

1.2 Installation

- To prevent fire or shock, do not expose unit to water or moisture. Do not place the CNK-IP-200 in direct sunlight, near heaters or heat-radiating appliances, or near any liquid. Exposure to direct sunlight, smoke, or steam can harm internal components.
- Handle carefully; dropping or jarring can damage the unit.
- Do not place heavy objects on top of the CNK-IP-200.
- Do not pull any cables that are attached to the CNK-IP-200.

1.3 Cleaning

- Unplug the CNK-IP-200 before cleaning.
- Clean surfaces with a dry cloth. Never use strong detergents or solvents such as alcohol or thinner. Do not use a wet cloth or water to clean the unit.

1.4 FCC Notice

- This device complies with Part 15 of the FCC Rules. Operation is subject to the following two conditions: (1) This device may not cause harmful interference, and (2) this device must accept any interference received, including interference that may cause undesired operation.
- This equipment has been tested and found to comply with the limits for a Class A digital device, pursuant to Part 15 of the FCC Rules. These limits are designed to provide reasonable protection against harmful interference when the equipment is operated in a commercial environment. This equipment generates, uses, and can radiate radio frequency energy and if not installed and used in accordance with instructions found herein, may cause harmful interference to radio communications. Operation of this equipment in a residential area is likely to cause harmful interference in which case the user will be required to correct the interference at his own expense.
- Any changes or modifications to the unit not expressly approved by Altinex, Inc. could void the user's authority to operate the equipment.

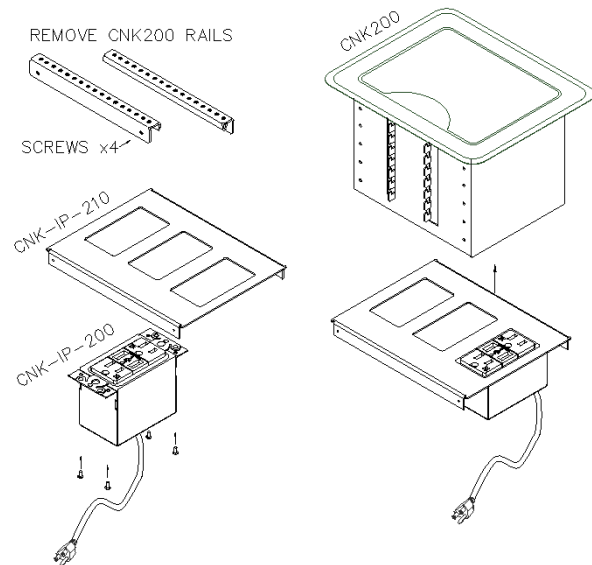
2. Installation Procedures

The CNK-IP-200 can be installed inside a Cable-Nook unit with the CNK-IP-210 faceplate.

Note: Download and read the entire online manual to become familiar with the CNK-IP-200.

- Step 1. Locate the best position for the CNK-IP-200 on the CNK-IP-210 faceplate.
- Step 2. Install the CNK-IP-200 into the CNK-IP-210 faceplate from the bottom by securing the four provided with CNK-IP-200 screws onto the faceplate.
- Step 3. Install the faceplate with the CNK-IP-200 from the bottom of the CNK200/CNK202 units and secure to the CNK unit with screws provided with faceplate.

Note: Older CNK models require removing the side flanges within the unit before installation CNK-IP-210 faceplate. Please refer to diagrams



3. Limited Warranty/Return Policies

Please visit the Altinex website at www.altinex.com for details on warranty and return policies. In the case of a unit needing repair, please complete an RMA (return material authorization) form located on the bottom left hand corner of the Altinex homepage. Once completed, please email the form to support@altinex.com.

4. Technical Specifications

Specifications are subject to change. See www.altinex.com for up-to-date information.

Features/Description	CNK-IP-200
USB Charging	Type-A, F (2)
Pass-through AC 9-10 ft. (2.7-3.0 m)	NEMA F (2) to M (1)
Compatibility	
Cable-Nook	CNK200/CNK202 Series
Agency Approvals	
UL Listed	File E254082
Safety	UL, CUL
Accessories Included	
Hardware	4-40 x 3/16 Phillips Head

Table 1. CNK-IP-200 General

Mechanical	CNK-IP-200
Material/Color **	0.032 in GSS, Silver
Height (face plate)	3.0 in (76 mm)
Height (body only)	4.1 in (104 mm)
Width	2.0 in (51 mm)
Depth ***	2.5 in (64 mm)
Net Weights	1.9 lb. (0.87 kg)
Shipping Weights (approximate)	2.5 lb. (1.13 kg)
T° Operating	10°C-35°C
T° Maximum	50°C
Humidity	90% non-condensing

Table 2. CNK-IP-200 Mechanical

Electrical	CNK-IP-200
USB Type A 2.0	7.5W Each port
Pass-Through AC (total through both receptacles)	120VAC, 60Hz, 12A Total Current 1440 W max.

Table 3. CNK-IP-200 Electrical

- ** Enclosure itself is silver while the faceplate of the socket is black
- *** Dimension does NOT include power cord or strain relief outside of enclosure. Strain relief extends approximately 1.1 in (28 mm) outside edge of enclosure and does not include bend radius of power cord.

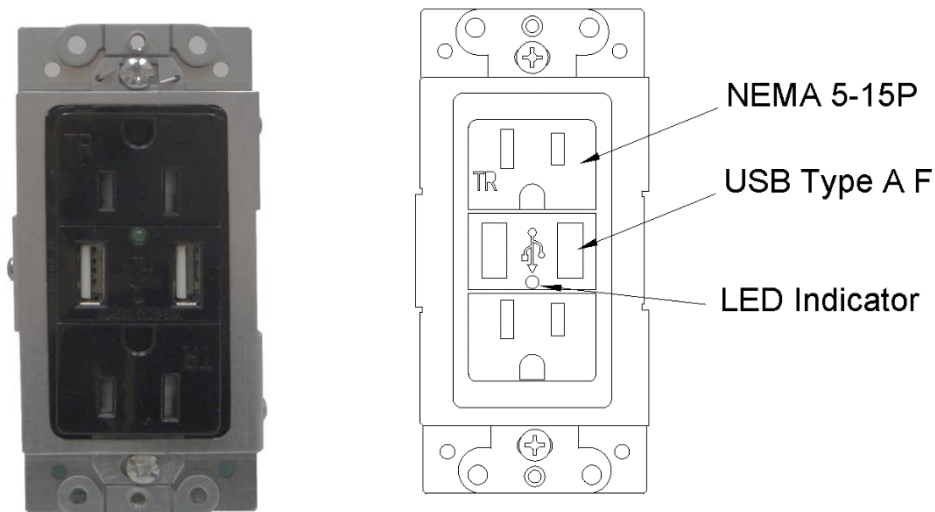
5. About Your CNK-IP-200

- UL Listed for US and Canada power Module
- 12 Amp AC sockets
- Compact and easy to install
- Two standard AC power outlets for U.S., Canada, Mexico, or Japan
- Two USB ports 3 Amps total, 5VDC, Type A, 2.0
- Comes with 9 ft. (3 m) cable terminated with a single male plug

The Altinex CNK-IP-200 Dual AC Power Module is designed for use inside Altinex's Cable-Nook series of interconnect boxes.

The CNK-IP-200 is designed to be interfaced with the faceplate CNK-IP-210 sold separately and can be combined with a variety of faceplates from the CNK-IP product line. The face plates from the CNK-IP product line can be interchangeable to any slot. The CNK-IP-200 module provides safe, ample AC power for users to power laptops, projectors, or other presentation equipment as well as USB connectivity for charging capability only of devices such as smart phones, tablets, mp3 players, iPods and iPads.

To access the CNK-IP-200 power module inside the Cable-Nook, simply lift the door and plug in to the AC receptacles the same as any other AC power outlet or using the USB port to charge any tablet or mobile phone. The lid closes easily even with several cables in use. The LED indicator shows power is available on the USB ports. The USB ports are compatible with USB 1.1/2.0/3.0 devices.



6. Application Diagrams

Diagram 1: Typical Setup

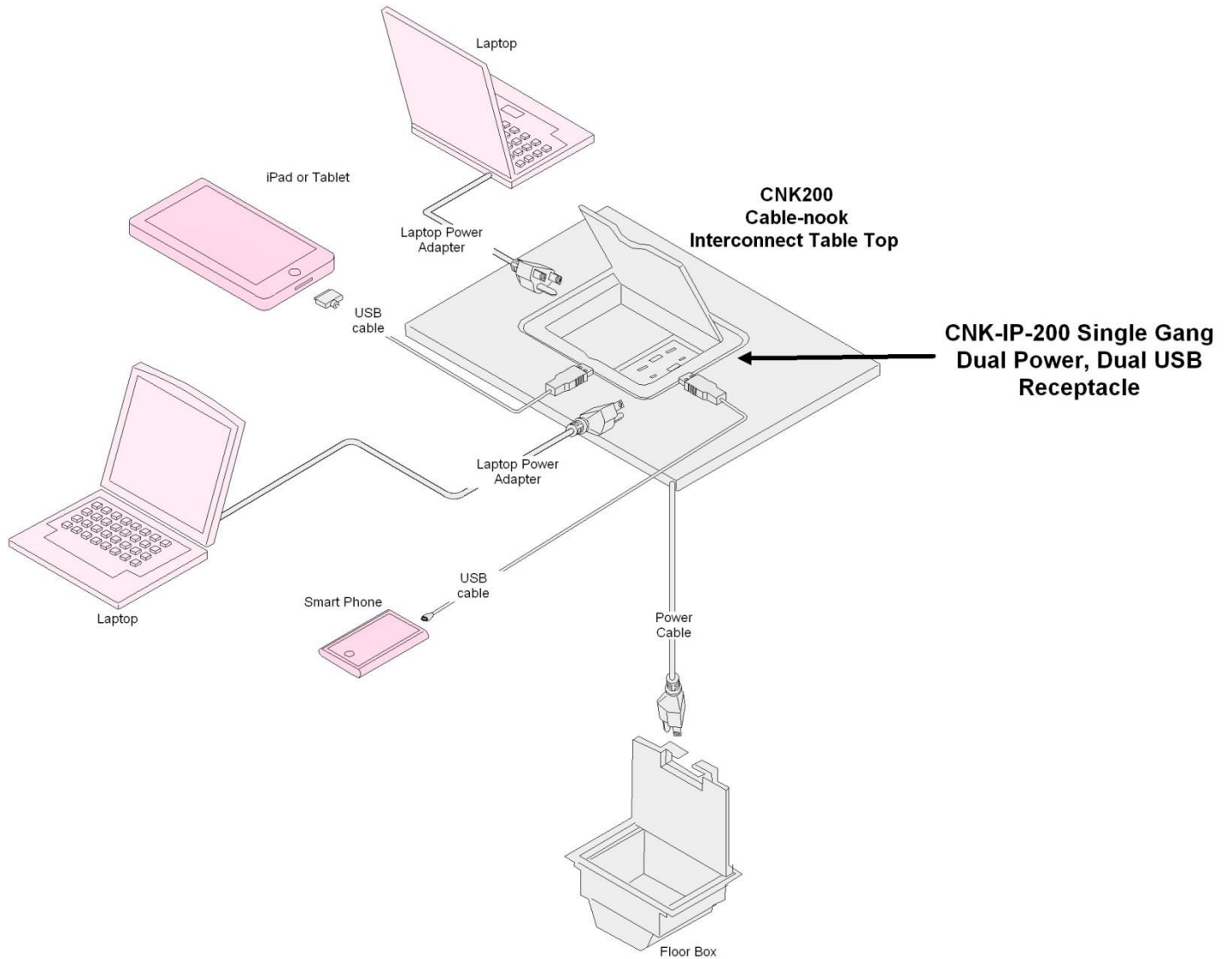


Diagram 2: Removing side flanges on older CNK model units.

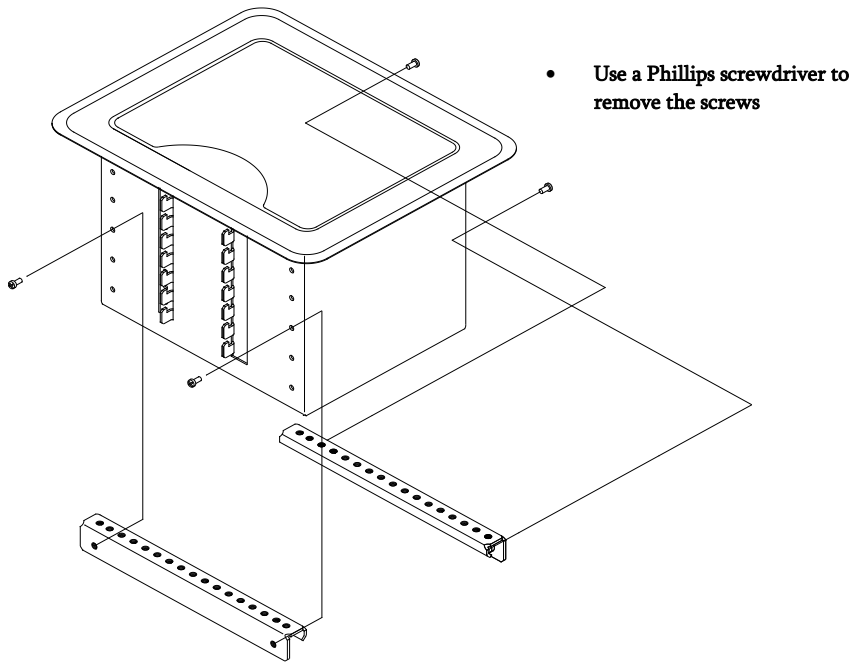


Diagram 3: Installation of CNK-IP-200

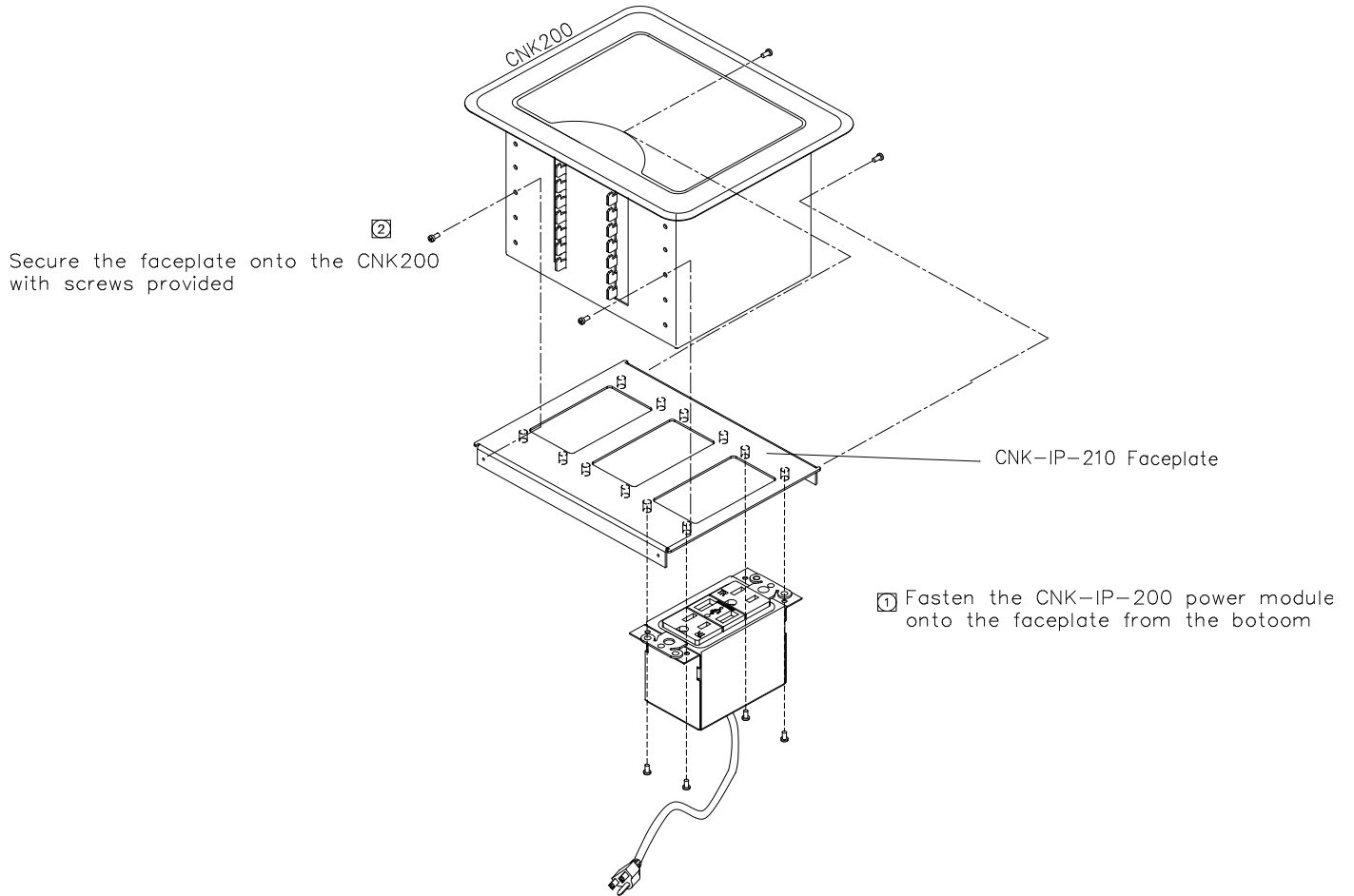
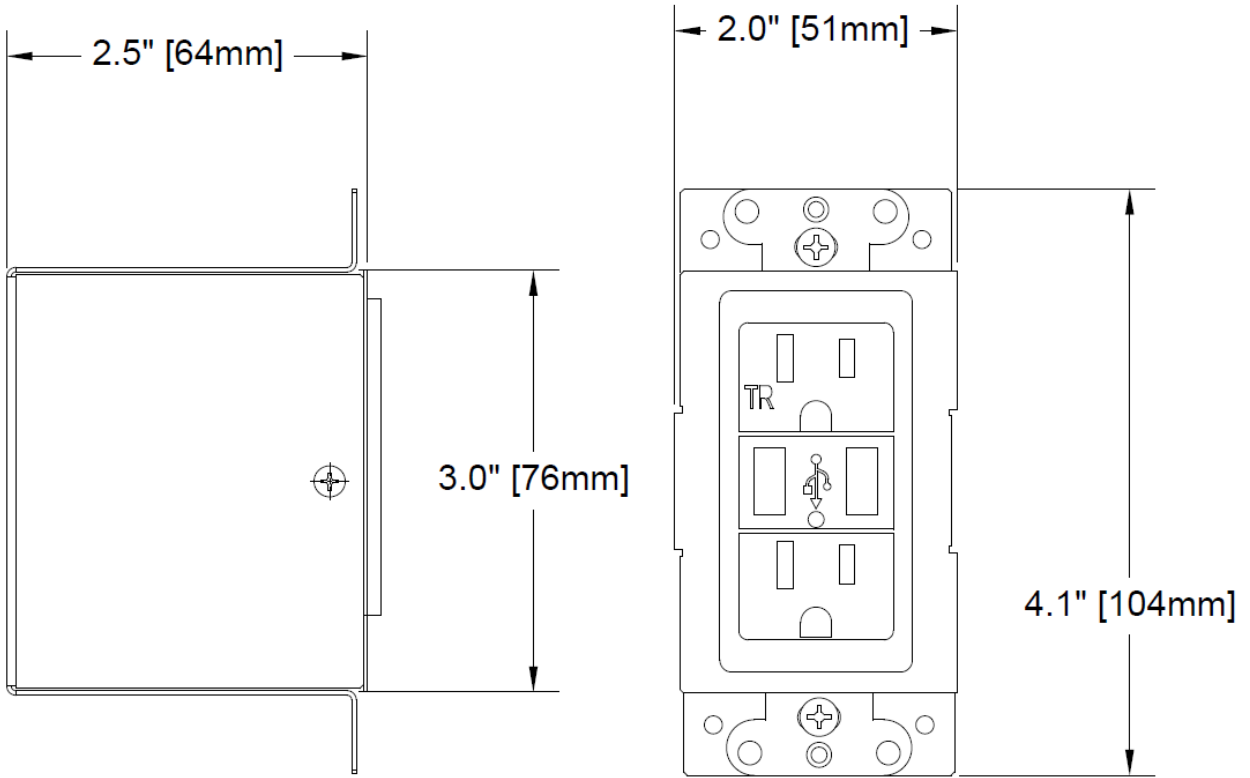


Diagram 4: Dimensions



7. Operation

The CNK-IP-200 requires no adjustments for optimum performance. Green LED indicator designates power available to use USB ports for charging.

Once installed, the CNK-IP-200 will work trouble-free without user intervention providing charging capability and power delivery able to power laptops and tablets alike.

8. Troubleshooting Guide

We have carefully tested and found no problems in the supplied CNK-IP-200; however, if you experience any problems or have questions, call Altinex at (714) 990-2300.

Symptom	Resolution
LED indicator not on	<ol style="list-style-type: none">1. Check to make sure AC power cord is connected.2. Check to make sure AC outlet where power cord is connected is supplying power