

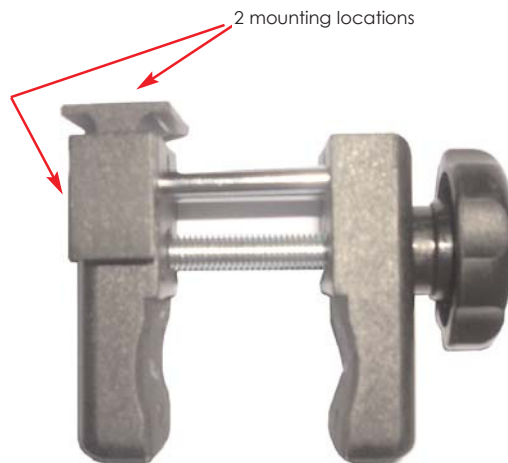
Universal Light Clamp Kit

The Lumina lights can be mounted almost anywhere. They will light up a popup system or a truss and almost any other place you can think of.



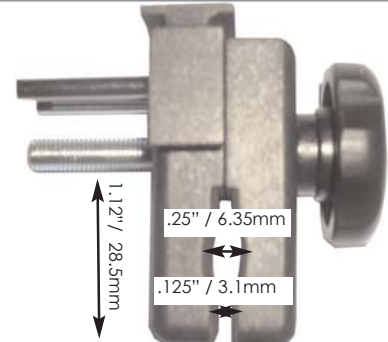
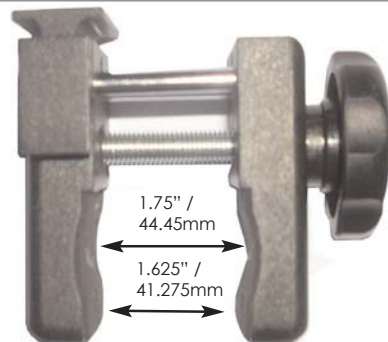
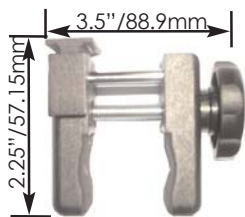
features & benefits

- Easy to mount
- Attaches to almost any system
- Easy to store
- Adjustable
- Works with Lumina 1, Lumina 3, Lumina 4, Lumina 5, Lumina 6, Lumina 7, Lumina 8, Lumina 9, Lumina 10, Lumina 11, Lumina 12, Lumina 13



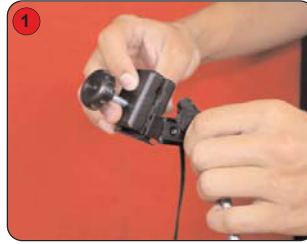
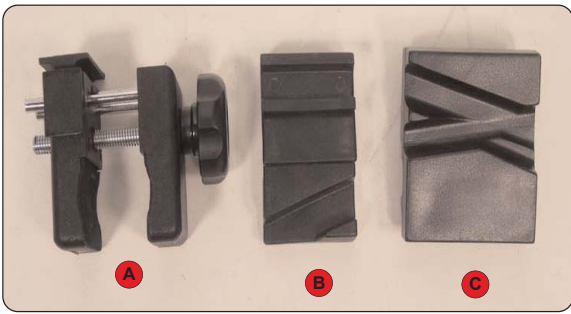
hardware specifications

CLAMP DIMENSIONS
2.25" x 3.5" x 1.47"
57.15mm x 88.9mm x 37.5mm



We are continually improving and modifying our product range and reserve the right to vary the specifications without prior notice. All dimensions and weights quoted are approximate and we accept no responsibility for variance.

Assembly Instructions



1 Slide the clamp onto the light fitting. Then, loosen the clamp.



2 Place the clamp on the post and hold it there while tightening.



3 Hold the light in place while you secure it to the pole.



4 Use the screwdriver to loosen or tighten the joint so that you can adjust the position of the light.



5 The finished light should look like this.



6 Mount your light with the knob facing the back.



7 The light can also be mounted on a truss.



8 Another way to mount your light is on a popup. For this you need the popup light clip



9 Slide it on with the clip hanging off the back of the light.



10 Slide it on the right side between one of the cross sections of the Coyote.



11 Make sure that it is under the back pole and over the front pole



12 This is what it should look like.



13 The light can also be mounted on the top of the Coyote using one of the hubs.