

Step 1: Attach counter legs to the counter top using (2) long knobs per leg

Long Knob



Step 2: Connect the lower columns to the bases using (2) short knobs and cover with the gusset caps

Gusset Cap



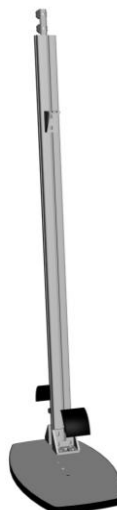
Short Knob



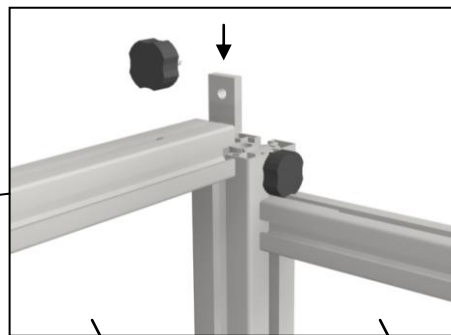
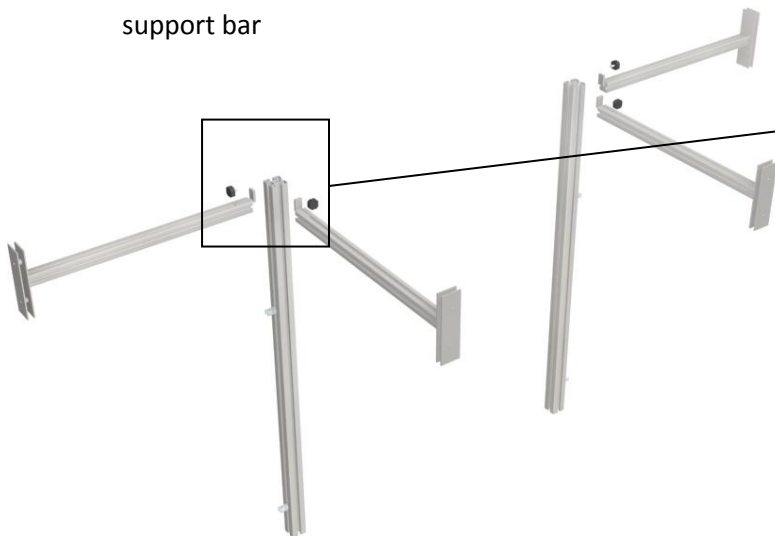
3



4



Step 3: Attach the graphic supports to the upper columns; tighten using (1) short knob per support bar

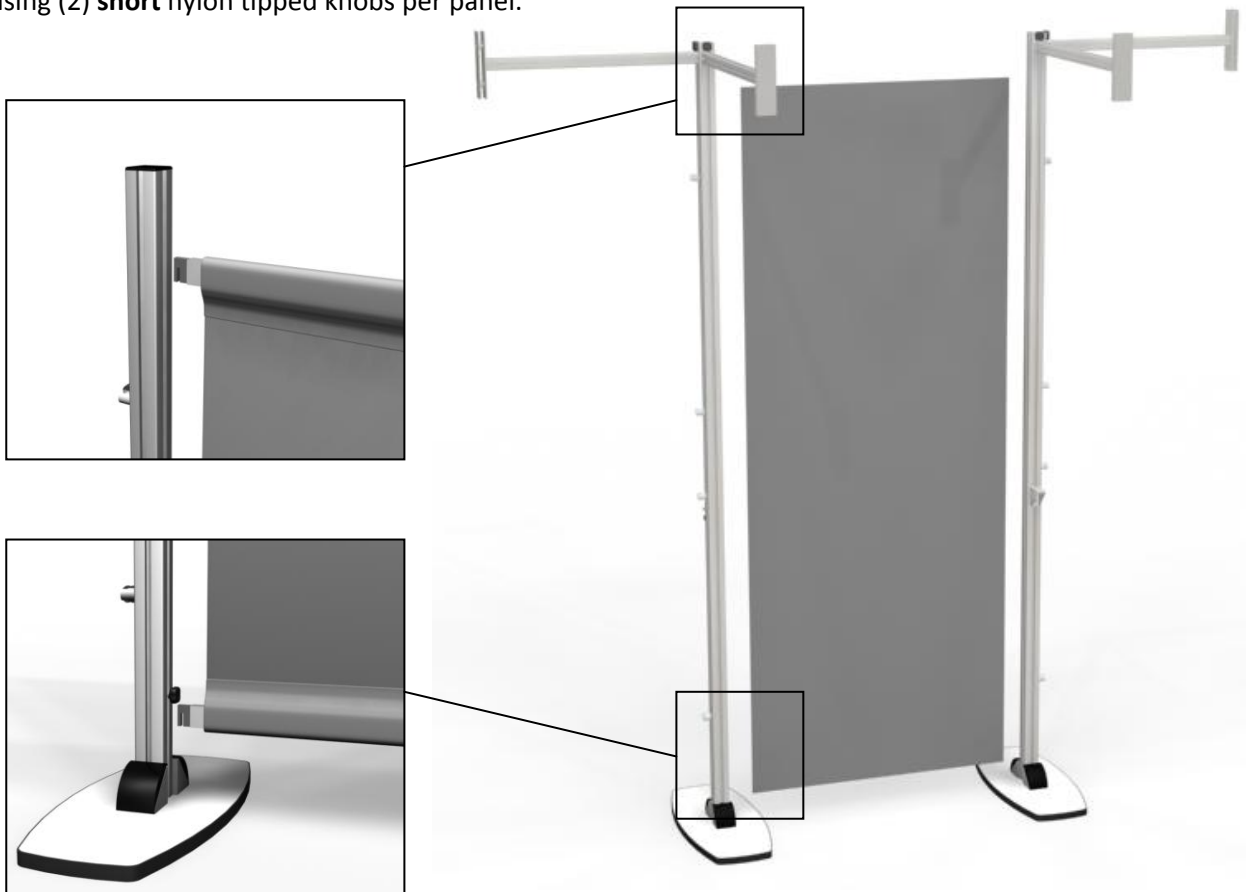


Step 4: Assemble the upper and lower columns using (2) short knobs per column

Short Knob



Step 5: Slide upper and lower graphic hangers into graphic and hang graphic. Attach graphic panels using (2) **short** nylon tipped knobs per panel.



Step 6: Connect the wings using the wing grippers



Wing Gripper



Step 7: Attach header graphics using knobs w/ metal caps



Step 8: Connect the counter to the backwall from underneath using (1) Long Knob

Long Knob



Step 9: Attach the literature shelves

t-nut

Short Knob



Finished

