

# Coyote popup display set up instructions

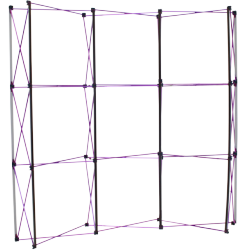
## Frame Assembly

1



Prepare frame for assembly by locating the purple hooks on top of the frame.

2



Stretch frame to size, snapping magnetic locking arms together.

3



Attach magnetic channel bars to circular magnets.

4



Frame is assembled.

## Graphic Application

1



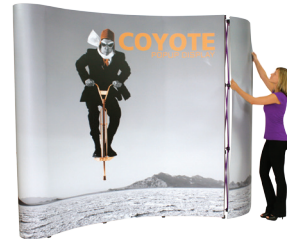
Attach panels starting with left curved endcap panel. Hook panel on purple hooks on front and back of frame. Attach rest of panel to magnetic channel bar.

2



Attach graphic panels from left to right. Hook panels on purple hooks and apply panel to the magnetic channel bar.

3



Continue to attach remaining panels by hooking to purple hooks. Make sure all panel edges align with middle line on channel bars.

4

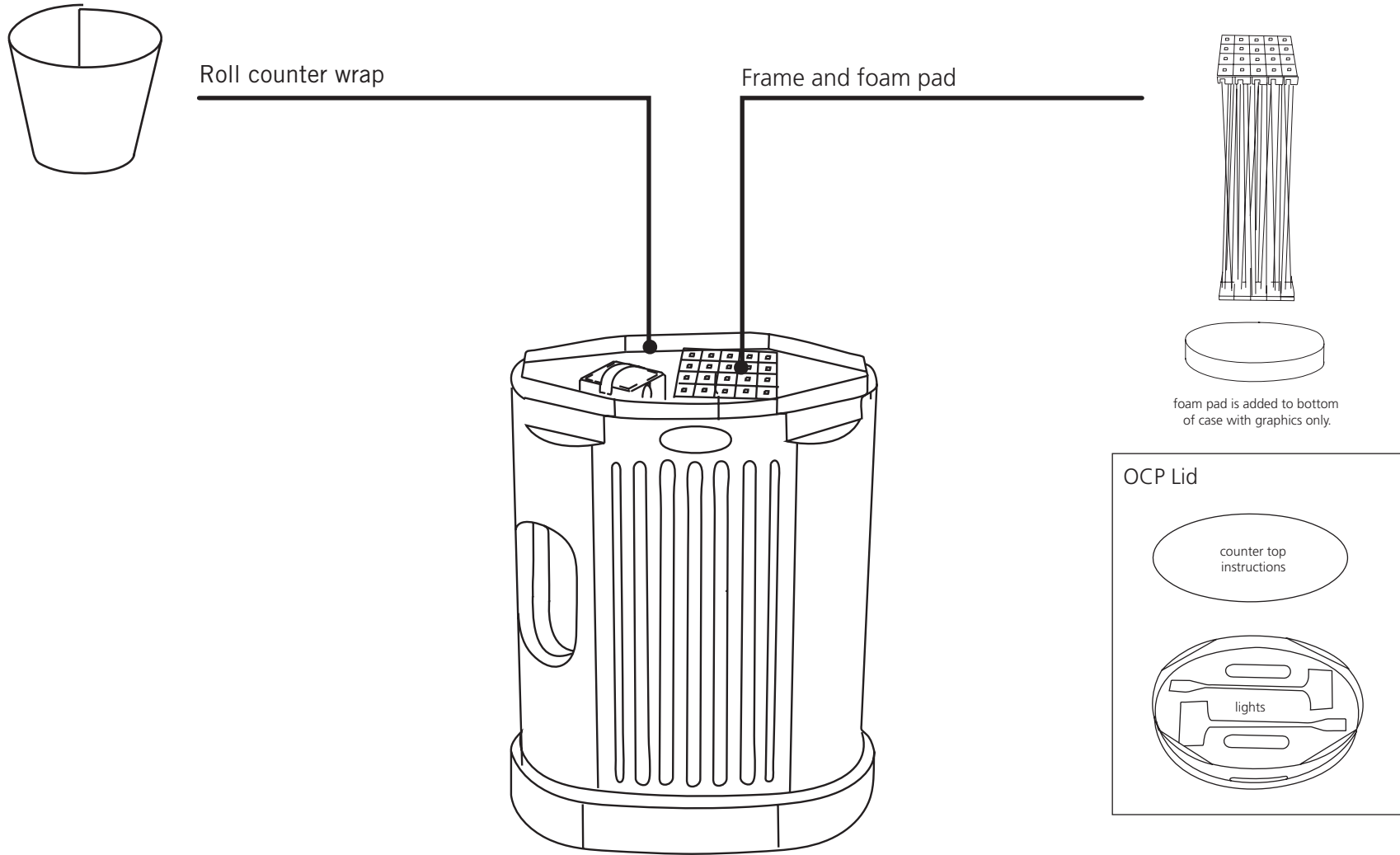


Graphic application is complete.



watch video

# Coyote popup OCP packing instructions



## Packing instructions

1. Roll counter wrap with plastic facing out and place inside the case against the outside wall.
2. Individually roll panels and place inside case until all panels are in the case and against the outside wall. (fabric to fabric/ magnet to magnet)
3. Pack channel bar into the storage bag. Then release magnetic locking arms to collapse the frame.
4. Place foam pad in bottom of case then pack frame and bag in the center.
5. Counter top snaps inside lid holding the lights in place.  
\*Allow lights to cool before packing.