



WaterWorx Valve Box

Technical Data Sheet

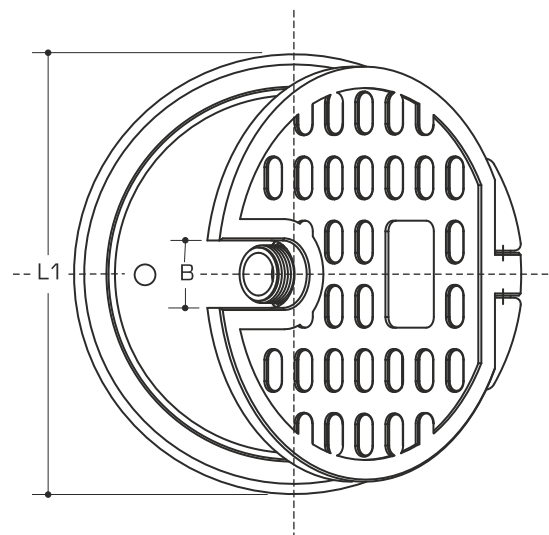
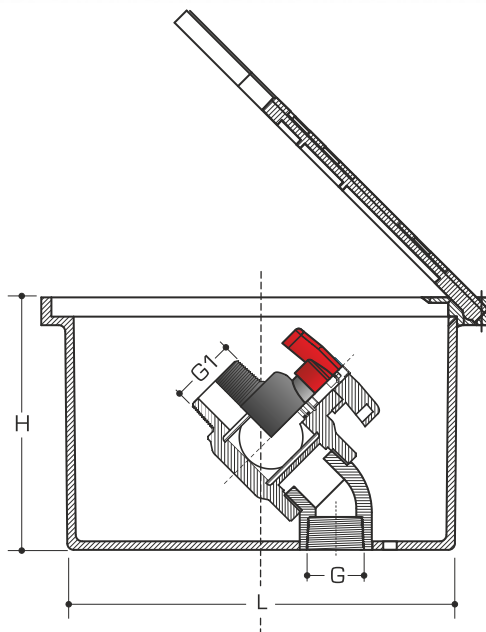
WaterWorx Valve Boxes are designed for lawns, borders and other ground areas that have a supply pipe that needs a take off for a hose pipe. The WaterWorx valve box has a 3/4" patented Polypropylene valve with a BSP male outlet to suit various hose adaptor fittings. Ideal for Industrial, commercial and domestic applications.

Features and Benefits

- Temperature range: -30° C - +60° C
- Corrosion resistant
- 3/4" BSP valve connections
- Heavy duty Polypropylene valve
- Working pressure: Max 16 Bar at 20° C
- UV stabilised

Technical Specification.

- Valve box: Made from Polypropylene
- Lid/Cover: Made fro Polypropylene
- Fixings and fasteners in stainless steel
- Stress tested to 10 kN
- Valve seals: PTFE



Article Nr.	G	G1	L	L1	H	B	Weight Kg
77734	3/4"	3/4"	179	204	117	31	0.585



WaterWorx Valve Box

Parts List

1. Polypropylene Valve Box.
2. Polypropylene lid/cover.
3. Valve Body 3/4" BSP M x F
4. Stainless steel nuts
5. Stainless Steel washer
6. Stainless Steel bolts
7. PTFE O-Ring
8. Chromium plated Brass ball
9. Brass pin
10. NBR O-Ring for pin
11. Red Polymide/Glass fibre valve handle
12. Steel screw
13. MDPE Handle plug

