

Smart mobile guardian for spaces and objects with SMS alarms and app.

Application

Movement, temperature, humidity, power failure, Heating, errors, and more: All simple and safe with your mobile or Smartphone. The smart room monitor is mobile and can be positioned anywhere. With 3 sensors and 2 contacts. Monitoring all important conditions of a room or object. SMS (GSM mobile) and app. See current status and alert you when something is wrong.

- 3 sensors for detecting movement, Temperature and humidity in the room
- 2 alarm contacts. for the monitoring of technical equipment or the Power network
- data transfer via SMS (GSM mobile)
- cyclic status messages + alarms in definable limit values and events
- receipt of messages as plain text SMS on Mobile phone or management over the related app to your Smartphone/Tablet

Special features

- No network connection required. Can be installed anywhere.
- 3 sensors + 2 free contacts in 1 unit
- Battery operated + wireless
- Plug and play
- easy intuitive programming via app or SMS commands
- works with any commercially available Mobile radio card (prepaid/contract)
- without app available (news and Settings via text SMS)

The diagram illustrates the multiview monitoring system. On the left, a white 'viewpoint' device is shown with a 'Power failure adapter (accessories)' connected to it. A vertical line of icons represents the sensors: Movement (hand), Temperature (thermometer), Air Humidity (water droplets), Alarm contact 1, and Alarm contact 2. A wireless signal icon connects the device to a smartphone on the right. The smartphone screen displays the 'multiview' app interface with the following text: 'My holiday home', 'All OK 16.03.2016 11:43', and a list of monitored items: Movement, Temperature, Air Humidity, Alarm Contact 1, and Alarm Contact 2. Below the smartphone, the text reads 'Data + Alarm via SMS'. At the bottom of the diagram are the 'App Store' and 'Google Play' logos.



Application:

Temporary or permanent remote monitoring of your spaces and objects, whilst you are away, travelling, at work or at home:

Ideal for home, holiday, greenhouse, Mobile home, Office, construction and storage containers, Boats, control room. truck, van, boats...

Product Information

Product Number:	1001027
EAN:	617957699104
Description:	MULTIview - Battery pack non Ex. C/w wall mount magnet, operating instructions or code (security key). - Free app download - Mobile phone and GSM SIM-map not included.
Operating Temperature:	-10 ° C to + 40 ° C

General technical information

Power Supply:	- Non ex. Battery pack - Alternative power supply adapter 230v for wired power supply (accessories)
Power Consumption:	Sending: 350mA max. Per transmission cycle
Operating temperature:	10 ° C to + 40 ° C
Type:	UV Resistant Plastic housing
Electronics:	Microprocessor-controlled
Antenna:	Internal
Dimensions:	107 x 107 x 80mm LXWXH with feet
Mounting:	Wall, ceiling with magnetic holder or 2 screws.
Installation type:	Indoors only
Configuration:	Via the app or without app by SMS commands from your mobile phone send and receive

Send and receive

Data transfer:	SMS (GSM mobile radio standard)
SIM card (GSM):	Use standard SIM card (mini-SIM 2FF); provider free selectable (prepaid/contract)
Data reception:	- Plain text SMS to your mobile phone. - via app to your smartphone/tablet
Status messages:	Current measured values, temperature, movement, humidity, battery status, Send frequency freely selectable
Alerts: (can be de-activated)	-Temperature and humidity: on definable minimum and maximum limits. - Motion detection. - Event contact 1 and 2 - System messages

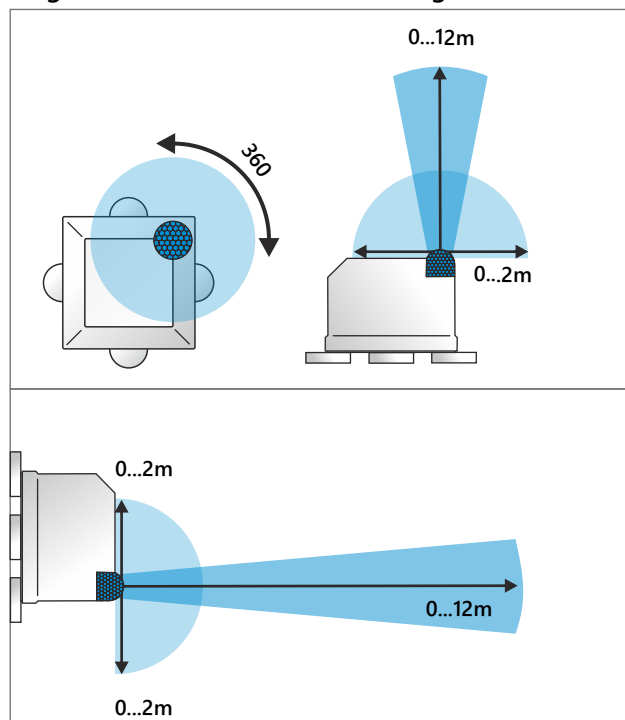
Battery Pack included

Output Voltage:	12 volt DC.
Type:	UV resistant plastic housing
Service life::	Approx. 1 year in continuous operation, pending on transmission frequency
Operating Temperature:	-10 ° C to + 40 ° C

Sensor/Ports

Motion Sensor:	High-sensitive PIR motion Sensor, 360° (see Fig. 1)
Temperature Sensor:	temperature -40 ° C... + 125 ° C - ±1 ° c.
Humidity Sensor:	Relative air humidity 0.. 100% RH. ±4% RH
2 Alarm contacts:	-2 free usable inputs to the Potential-free connection Switch contacts. - optional connection network Default adapter for alarm case of power failure (in accessories)

Fig .1. Motion sensor detector range



Accessories:

- 1001028. Replacement battery nonEx
- 1000878. Power supply unit which can be used instead of the battery package for power network dependent operation. Supplied as standard with Euro plug adapter
- 1001033. Adapter, which you can connect to one of the switch contacts. This will be also connected to a socket for monitoring the electricity supply system. It will send an alarm in case of a power failure



Manufactured to DIN
ISO 9001:2008



CE-approved