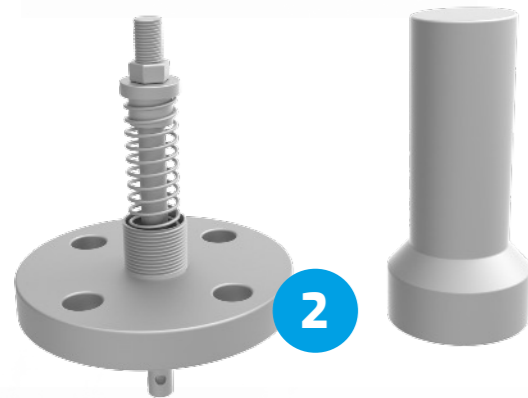


LiquiLevel FBS Product Overview



90° 3/4" pulley elbow made from cadmium plated steel with PTFE bush and stainless steel shaft for smooth and accurate operation. Housed in a weatherproof enclosure. Stainless steel 316 pulley cover for inspection and maintenance purposes.



3/4" guide wire cadmium plated steel spring housed in a cast steel enclosure. Unscrew for installation, inspection and maintenance. Can be supplied with PN10 DN20 x 3/4" steel 4 hole flange. (Flange Article No: 1080211)



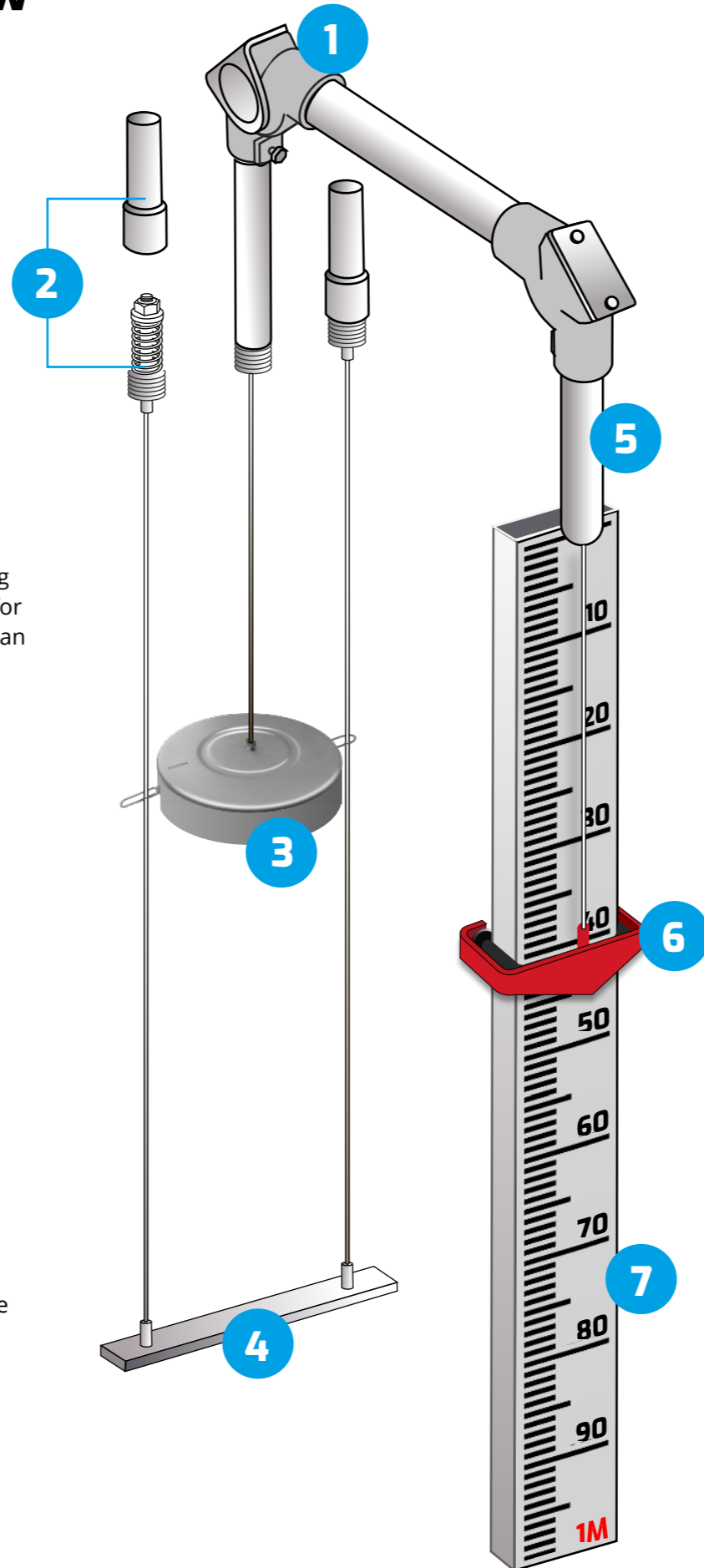
200 mm Ø stainless steel 303 cylindrical float with side guide loops for spring tensioner braided wire and centre loop for level indicator braided wire.



Bottom Anchor plate in Stainless steel 303 with guide wire loops for spring tensioner braided wire. We can also offer a weighted version which can be filled with sand in applications whereby the anchor can not be fixed to the base of the tank.

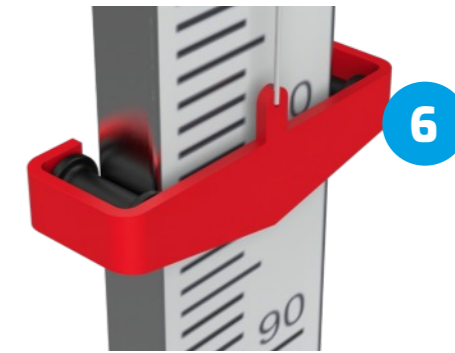


3/4" Galvanised steel threaded conduit pipes for connecting pulley elbows and offers maximum protection of braided wire



Durable Aluminium gauge board specifically designed for LiquiLevel FBS tank level indicator system. Installed easily and quickly with our Tee nuts which slide along the entire length of the gauge board meaning that you can fix the gauge board to the tank at any point. (Line up with existing tank bolts if steel sectional tank)

Available in both cm and metres and inches and feet. 100 mm wide (4 inches) and supplied in 1 metre or 3' lengths.



Powder coated Red stainless steel 316 Level indicator with heavy duty PVC rollers for reliable and long life operation.

LiquiLevel FBS gauge board is connected together and fixed to the tank using our stainless steel 316 brackets and tee nuts and bolts which are fully adjustable to suit your tank installation.

