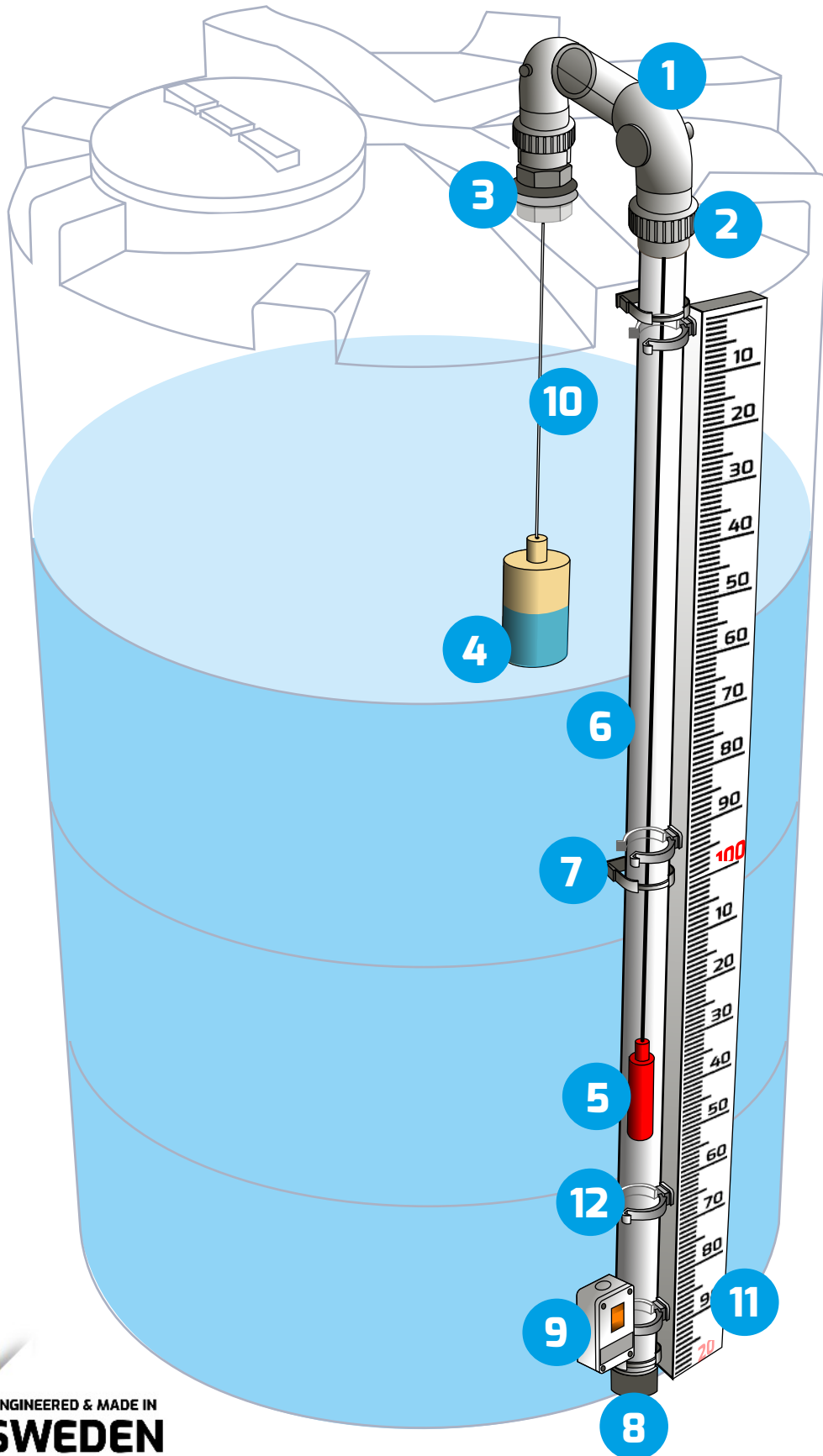




LiquiLevel CR

TANK LEVEL INDICATOR SYSTEM

Product Overview



ENGINEERED & MADE IN
SWEDEN



90° pulley elbow made from PVC available in both 40 mm and 1.25" Manufactured with an integral anti-jump cord loop, to ensure the cord always runs smoothly on the PVC pulley wheel. Can either be glued or push-fit with guide pipe.

1

PVC Union designed for ease of installation, inspection and maintenance of tank level Indicator. Available in both 40 mm, 1.25 and 2" connection.



2



Liquilevel CR bistable switch is designed to fasten onto the external guide tube at the desired height using zip ties to operate high/low level alarms and pumps etc. Activated by built in magnet in the Red counterweight.

9



10

Polypropylene 3 mm braided cord available in 7 mtrs or 100 mtr coils



3

Tank connector designed to be installed to the top of the tank for the connection between the tank level indicator and the storage tank it is being installed to. Available in 40 mm and 1.25"

Polypropylene 80 mm Ø cylindrical float with screw in cord connector. We also offer a 150 mm Ø Polypropylene ball float with a M8 fill point to enable the float to be filled, depending on the density of the fluid.



5

Red PVC Magnetic counterweight with built-in magnet for operation of bi-stable micro-switch and for visual tank level monitoring. 30 mm Ø x 150 mm



4



11

Innovative Aluminium gauge board designed to be installed simply and quickly to the vertical guide tube. Available in inches/feet or cm/ metres and is supplied in 1 mtr or 3 ft lengths. It is easily connected with gauge board connecting kit, and is simply bolted together using the Tee nut fixing system on the back of the gauge board. Lightweight, durable and easy to cut, this gauge board is supplied as a kit depending on the height of your tank. Gauge board width 100 mm.



6

40 mm Ø Plexiglass guide tube designed to be installed vertically on the tank to guide the counterweight up and down the tube depending on the level of fluid in the storage tank. Available in 1 mtr lengths, and can be connected with our 40 mm PVC Socket.



7

40 mm Ø PVC pipe clips to be either be welded to the tank, or fix with M6 Bolt depending on your tank structure. Supplied with a pipe retainer so that the guide tube is firmly fixed.



8

40 mm Ø PVC pipe cap designed to be installed to the base of the guide tube to provide a vapour-tight system. (When glued as a complete system)



12

Gauge boards are connected to the guide tube using 40 mm pipe clips which is installed to the side of the gauge board.

