

# LiquiLevel ULS-B

Ultrasonic Level Transmitter -  
Remote type



## DATA SHEET

Ultrasonic level meter (measurement of liquid level/material level) is a non-contact, high reliability, cost-effective, easy-to-install and maintain liquid level/material level measuring instrument. It can meet most liquid level/level measurement requirements without contacting the measured medium. It is a new generation of ultrasonic level gauge.

## APPLICATIONS.

- Fire water tank
- Deep well water level
- River reservoir
- Engineering pool
- Sewage/waste water
- Chemical material

## FEATURES

- Simple operation
- Remote type with touch buttons improves the quality of human-computer interaction
- Fault self-diagnosis technology, realize real-time fault self-diagnosis
- A variety of working conditions algorithm selection, improve environmental adaptability;
- High measurement resolution
- Fast response, the fastest response time: 2 seconds;
- Automatic temperature compensation

## PRINCIPLE

SUP-ULS-B utilizes the reflection of ultrasonic waves when encountering the interface of liquid media (solid media) of different densities, and measures the liquid level/distance by measuring the transit time.

# LiquiLevel ULS-B

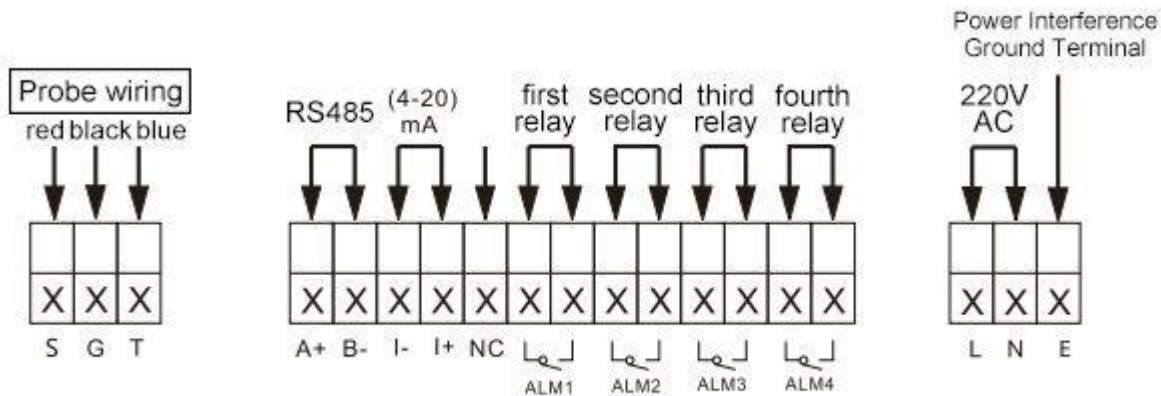
Ultrasonic Level Transmitter -  
Remote type

PARAMETERS	
Product	Ultrasonic level transmitter
Model	<u>LIQ-ULS-B</u>
Measure range	<u>0-5m</u> , <u>0-10m</u> , <u>0-15m</u> (optional)
Blind zone	<u>≤0.3m</u> (5m)
	<u>≤0.35m</u> (10m)
	<u>≤0.5m</u> (15m)
Accuracy	<u>±0.5%FS</u>
Display	Monochrome LCD screen
Output (optional)	Isolated, <u>4-20mA</u>
	Output precision: <u>±0.5%FS</u>
	<u>RL≤500Ω</u>
Measuring variable	Level/Distance
Power supply	<u>100-240 VAC</u> , <u>5W MAX</u> , <u>50/6Hz</u>
	<u>18-28 VDC</u>
Temperature range	Converter: <u>-20-60 °C</u>
	Sensor: <u>-20-80 °C</u>
Humidity range	<u>10%-85% RH</u> (no condensation)
Ingress protection	Converter: <u>IP65</u>
	Sensor: <u>IP68</u>
Cable	<u>10m</u> (Standard)
	<u>30m MAX</u> (optional)

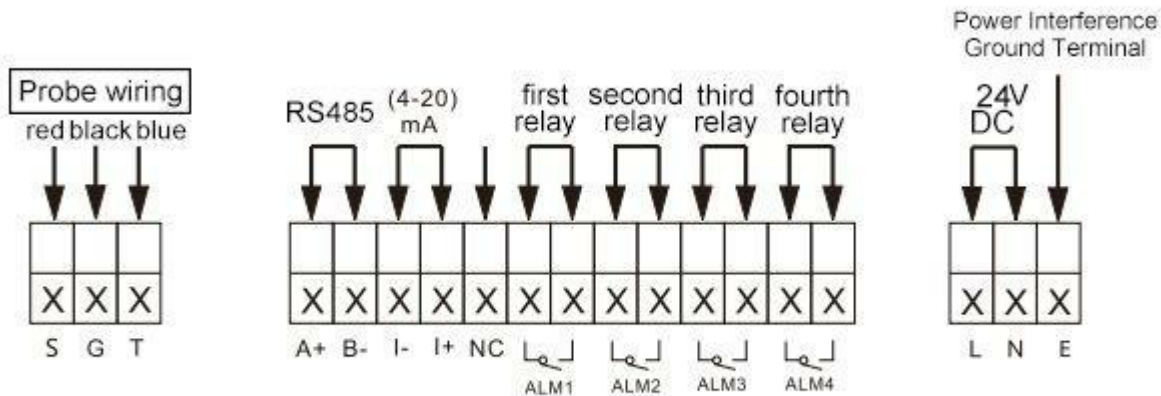
# LiquiLevel ULSR-B

Ultrasonic Level Transmitter -  
Remote type

## WIRING DIAGRAM



220V Power supply

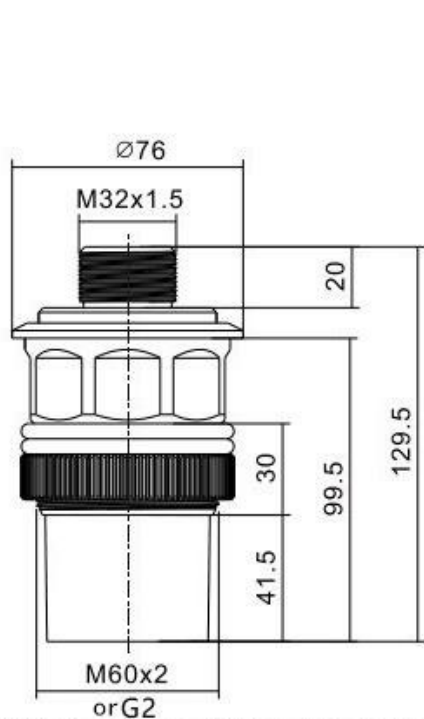
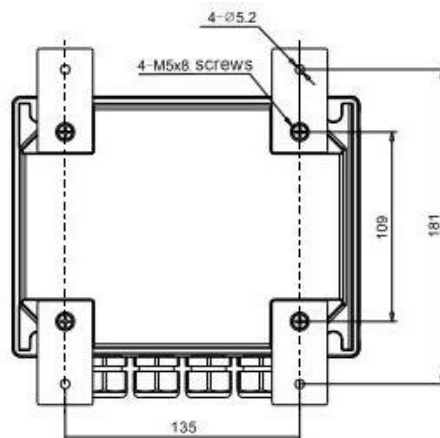
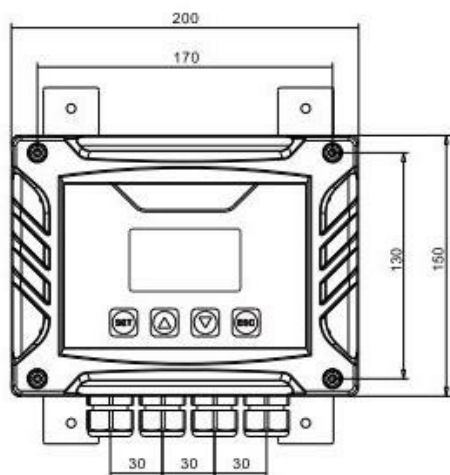


24V Power supply

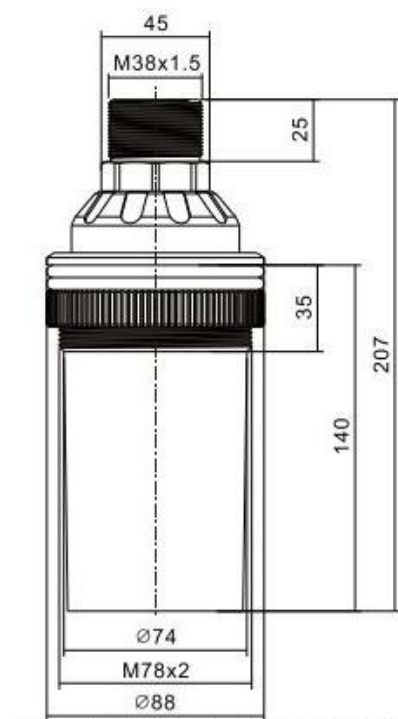
# LiquiLevel ULS-B

Ultrasonic Level Transmitter -  
Remote type

## DIMENSIONS



M60\*2 Thread sensor(Remote type 5m/10m)



M78\*2 Thread sensor(Remote type 15m)

# LiquiLevel ULS-B

Ultrasonic Level Transmitter -  
Remote type

## ORDERING CODE

### LIQ-ULS-B-RT1-ST1-J5-O1-D0-A2-V1-CS10

LIQ-ULS-B		-	-	-	-	-	-	-	-	Description
Measurement range	RT1									5m
	RT2									10m
	RT3									15m
Sensor type	ST1									Standard
	ST2									Anticorrosion
Accuracy			J5							0.5%
Output				O1						( 4~20) mA
Communication					D0					RS485
Relay output							A2			2 relay
							A4			4 relay
Power supply								V1		(100~ 240)VAC
								V2		( 18~ 28) VDC
Cable length									CS10	10m
									CS15	15m
									CS20	20m
									CS25	25m
									CS30	30m