

LiquiLevel

LIQUID LEVEL INDICATOR FOR STORAGE TANKS

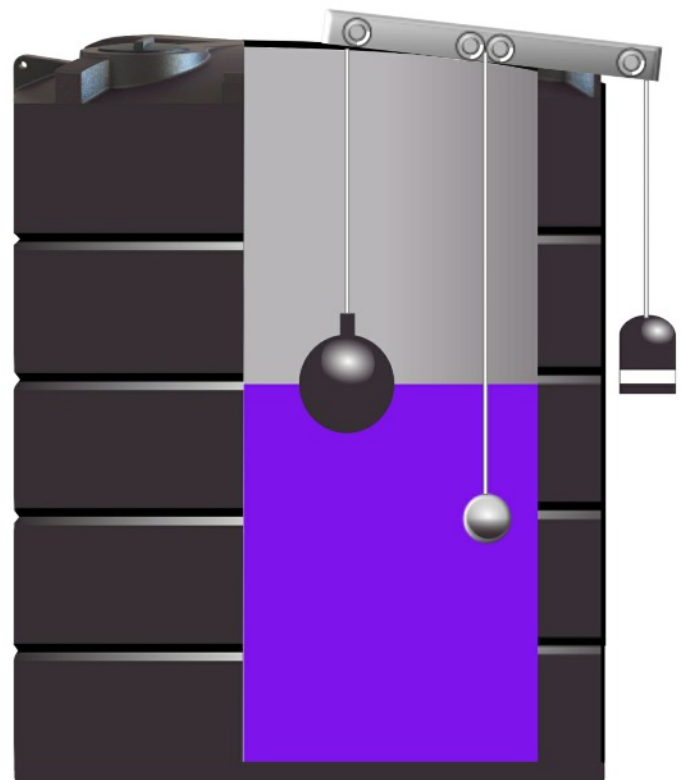
The LiquiLevel Level indicator is a innovative float operated system which indicates the true liquid level within storage tanks, unlike other gauges which read 'back to front'. What you see, is what you have. The LiquiLevel is designed to suit almost any type and shape of storage tank, and is ideal for a wide variety of applications.

Benefits

Recommended for virtually any liquid storage tank
Suitable for all liquid storage tanks upto 5 mtrs tall
Simple and quick installation
No need to enter tank for installation
Shows true liquid level
Low maintenance

Principle of operation

Operation of the LiquiLevel is by means of a float ball which moves up and down on top of the liquid inside the tank. The float is connected by a Polyester cord which runs through a simple pulley and counterweight system. The chemical resistant counterweight inside the tank ensures the Level indicator always stays the same level as the liquid stored within the tank, thus showing the true liquid level.



Installation

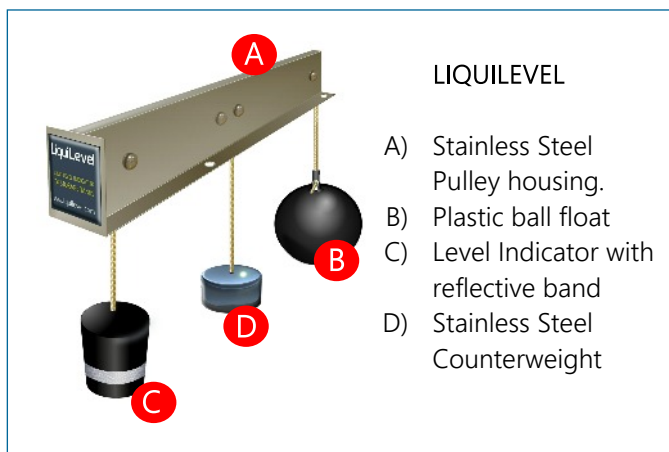
The LiquiLevel is supplied complete with fixing kit and installation template. The LiquiLevel should be installed as near to the tank access cover as possible for ease of installation and maintenance purposes.

Materials of construction

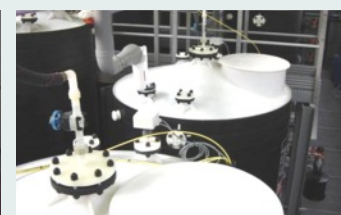
Standard materials of construction are shown over-leaf. Other material options are available for specific applications when required.

Optional Extras

Longer cord for tanks upto 10 metres in height.
Guide wire system.

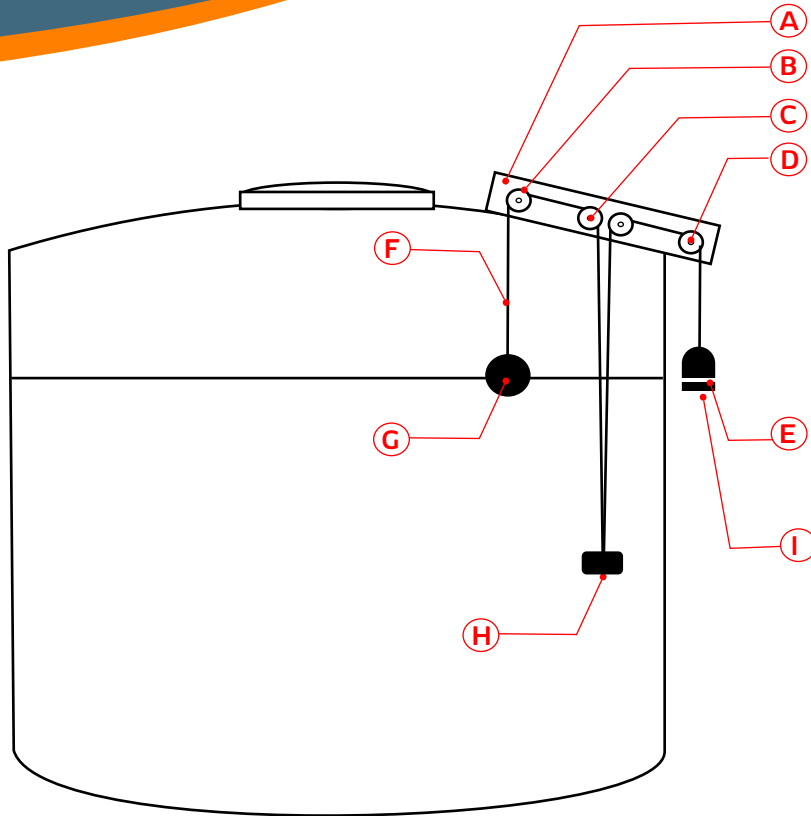


STOCK NO:	DESCRIPTION	TANK HEIGHT
10005	5 Mtr LiquiLevel Tank Level Indicator	Upto 5 mtr
10010	10 mtr LiquiLevel Tank Level Indicator	Upto 10 mtr

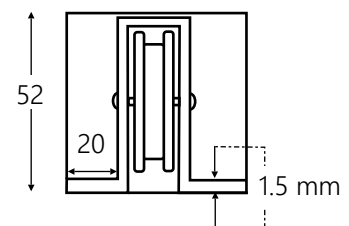
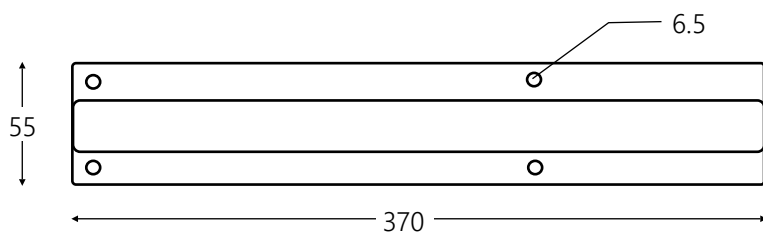


LiquiLevel

SPECIFICATION



Item	Description	Std Material	Option
A	Pulley Housing	Stainless Steel 316	
B	Pulley	Nylon	
C	Pulley Shaft	Stainless steel EN10088	
D	Pulley shaft retaining clip	Stainless steel EN10088	
E	Level Indicator	UV Resistant PVC	
F	Pulley cord	Polyester	Stainless Steel
G	Float Ball	Polypropylene	Stainless Steel
H	Counterweight	Stainless Steel 316	
I	Level Indicator Cap	PVC	



All measurements in (mm)