

LiquiLevel GB

Level Gauge Board

Product Specification

The LiquiLevel GB gauge is designed to be used together with the LiquiLevel STXL Tank Level Indicator, and intended for installation to larger steel and plastic water tanks. Delivered in sections to facilitate transport and installation on site. The GB System set consists of a calibrated aluminium gauge board in either cm and mtrs or feet and inches.

When installed with the LiquiLevel STXL, this gauge board system is the only system available globally that actually reads the true water level in the tank, unlike other gauges that read back to front.

The GB System is made from high quality materials. The gauge board is manufactured from Aluminium and has a slotted profile on the back of the gauge board making installation both quick and simple. The brackets including the Level indicator is manufactured from stainless steel.

Features

- Shows accurate liquid level.
- Designed for use with LiquiLevel STXL level indicator.
- High visibility for easy visual tank monitoring
- Can be used on tanks with angled/sloping top
- 10 year warranty
- Aluminium profile with slotted channel for options of multiple fixing points
- Fully adjustable for easy calibration.
- Option of metric and imperial gauge boards.
- Maintenance free
- Built to last.



Supplied in 3 ft section for gauge reading in imperial feet and inches or 1 mtr sections for gauge reading in cm and metres. Rapid installation using channel nuts and brackets. Designed for tanks up to 10 mtrs (32')

Components

The **Aluminium Gauge board** has been designed specifically for easy installation. All brackets to install the gauge board are fastened together using channel tee nuts. The benefit of the slotted rail on the back of the gauge board means that the fixing points on the tank can be installed vertically anywhere on the tank. (recommend anchor to tank every 1 mtr/3')

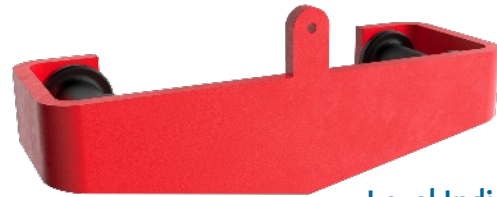
The **Level indicator** is made from stainless steel and finished in Red for maximum visibility. Heavy duty plastic rollers for accuracy and reliable and smooth operation on the gauge board.

Joining Brackets for connecting/extending gauge boards together using fixing kit supplied. 1 joining bracket and fixing kit is supplied with each length of gauge board.

Adjustable Tank/gauge Board brackets are supplied in kit form and are adjustable from 145 - 190 mm. The tank fixing point (see fig 4A) is for a 10mm or 3/8" fixing. For corrugated metal tanks, the existing tank bolt can be used for fixing bracket to storage tank. If unable to mount directly to the tank, the Gauge board can be mounted to a support channel first. This channel supplied by the customer. It will be up to the customer to decide how to support the channel to the tank wall and fasten to the ground.



Aluminium Gauge Board



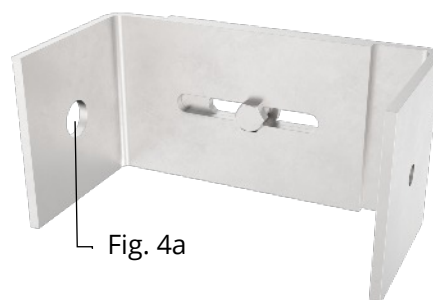
Level Indicator



Gauge Board/Level indicator adjustable Bracket



Gauge Board Joining Bracket

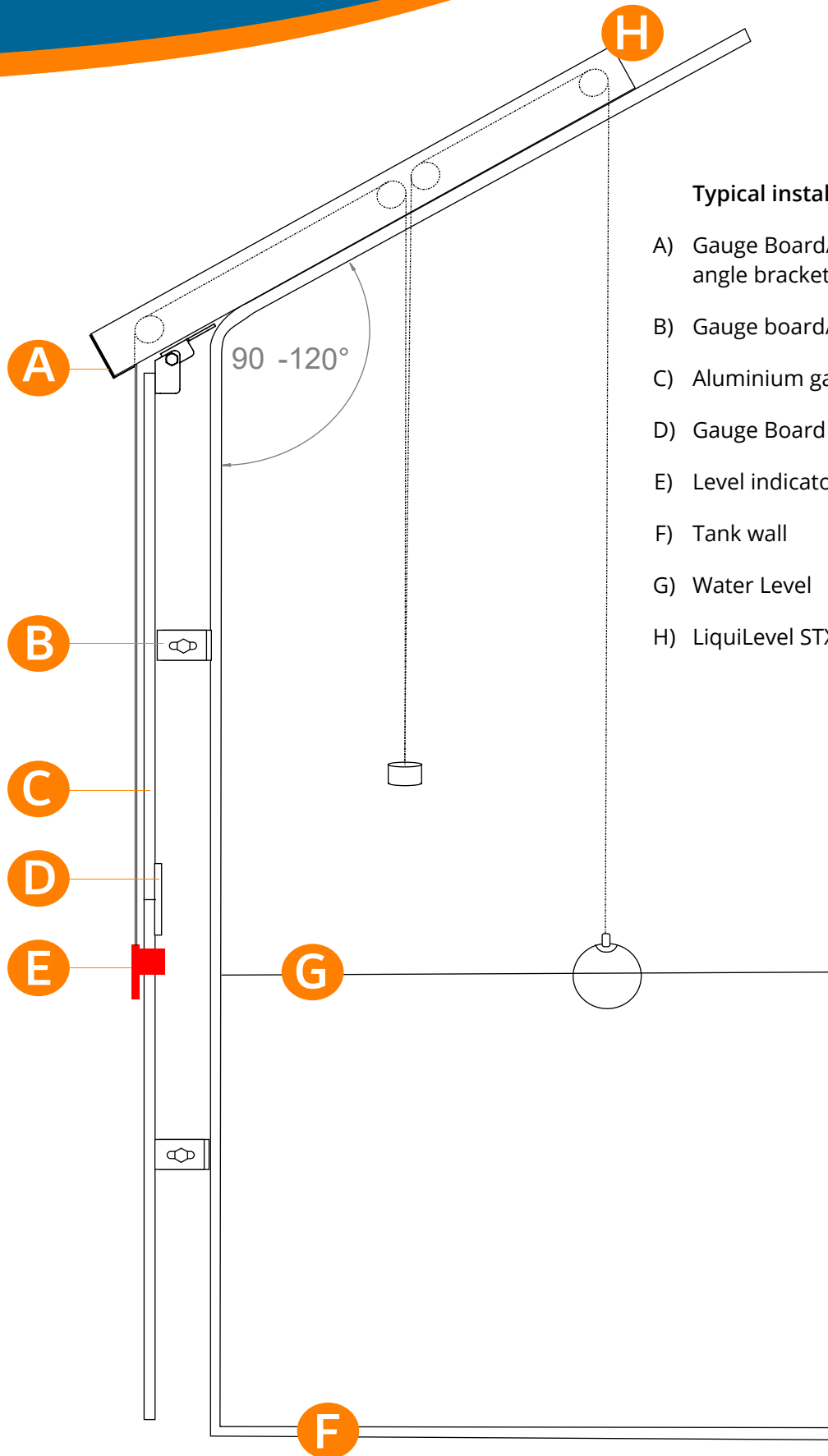


Gauge Board / Tank Bracket

Fig. 4a

LiquiLevel GB

Level Gauge Board



Typical installation arrangement.

- A) Gauge Board/Level indicator adjustable angle bracket
- B) Gauge board/Tank adjustable bracket
- C) Aluminium gauge board
- D) Gauge Board joining bracket
- E) Level indicator
- F) Tank wall
- G) Water Level
- H) LiquiLevel STXL Tank Level Indicator