

LiquiLevel CR

BISTABLE CHANGEOVER SWITCH
FOR LIQUILEVEL CR SYSTEM

LiquiLevel CR Bistable Switch

Advantages

- Quick and easy installation to guide tube.
- Low investment cost
- Visual switch position indicator.

Intended use

The LiquiLevel bistable switch is suitable for use with the LiquiLevel CR tank level indicator system for float level indication for mounting on PVC clear guide tube. The changeover contact switches depending on the position of the Red PVC counterweight. Typical applications included limit value recording or 2-point control (min./Max. Control) On containers and storage tanks.

Function

The LiquiLevel CR Switch changes over and makes contact for as long as the switching condition is fulfilled.

Approval

CE approved in accordance with low voltage directive 2006/95/EC and EMC directive 89/336/EC.

Potentially Explosive atmospheres.

The limit value signal transmitter according to EN 600079-11 is classified as a simple electrical device without its own ignition source. Therefore it does not fall under the scope of the directive 94/9/EC (ATEX95) The use of a buffer amplifier is recommended.

Switching Function

Microswitch, magnetically actuated

Body

ABS

Cover

PC

Connector Plug

According to DIN EN 175301, can be rotated in increments of 30°

Temperature

-20°C....+80°C

Type of Protection

IP65 with mounted connector plug

Mounting Position

vertical



Assembly

The LiquiLevel CR switch is fastened to the clear PVC guide tube which is installed vertically to the tank/container at the respective height of the desired switching point/s using cable ties.

NOTE

When mounting the bistable switch please note the position of the optical display match with the position of the float/counterweight. Otherwise the switch would give a wrong output signal until the first up or down passage of the actuator (counterweight)

Operating voltage

4...250 V AC

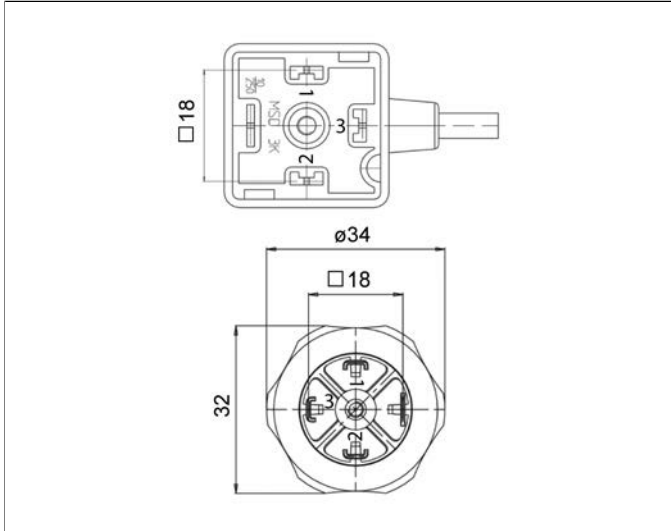
30 V DC

Electric Switching capacity.

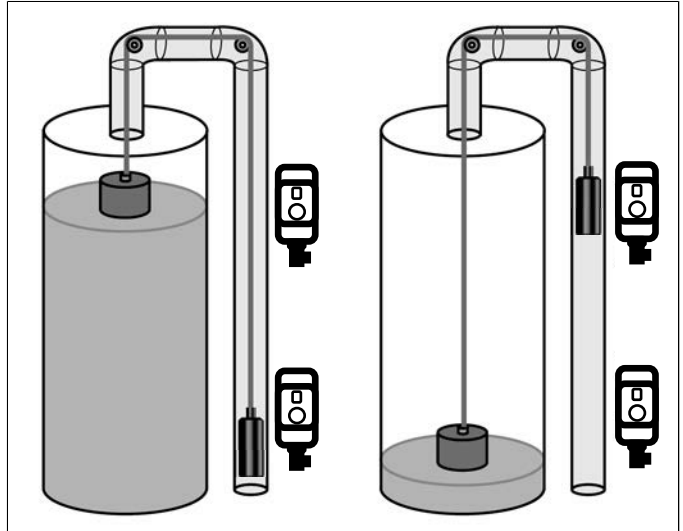
3 A

Level measurement, Bistable LiquiLevel CR Switch

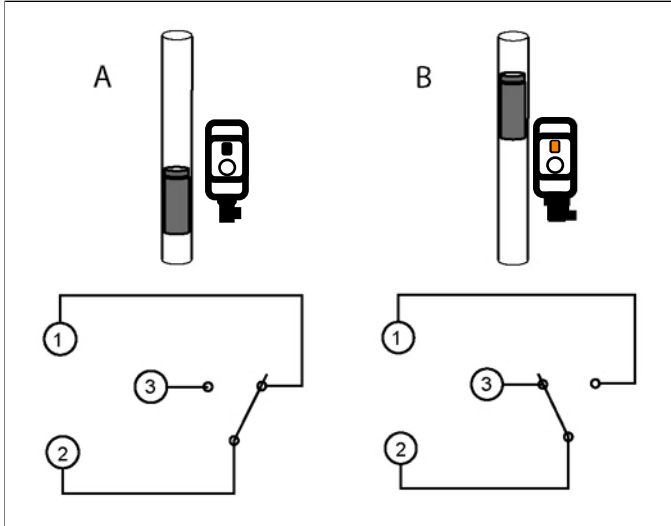
Electrical connection



Example of Liquilevel CR tank level indicator system

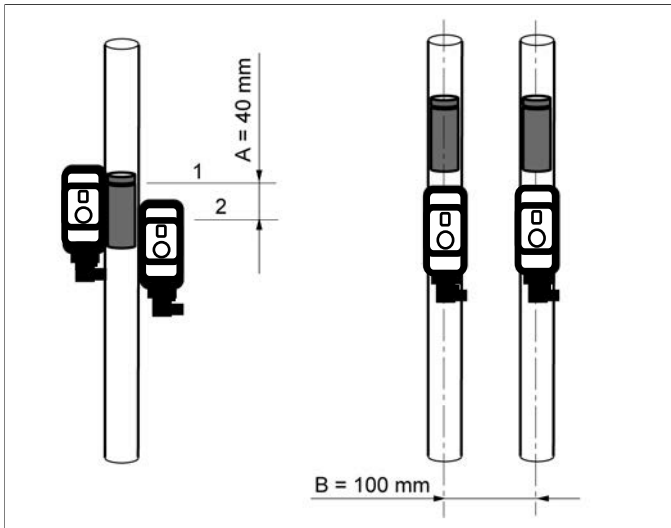


Wiring Diagram



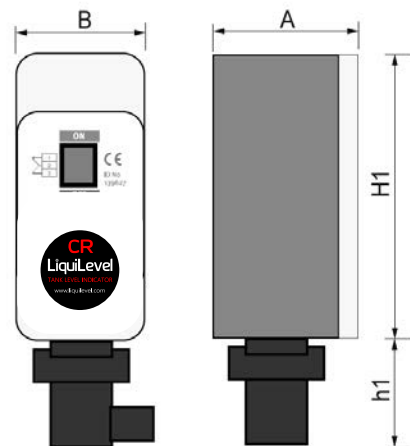
A = indicator orange
B = indicator black

Switching and installation distances



A = Smallest switching interval between two to 120° mounted switches

Dimensions



Dimensions of Switch

A= 50mm
B= 40mm
H1= 95mm
h1= 55mm

All rights for technical modification switch withheld