



contemporary design | chicago made

# Maud Shelf



shown: solid cherry with danish oil + wax finish

Versatile shelving unit available in a variety of sizes. Shelves constructed with dado joinery. Legs are cut and shaped from individual blocks of solid cherry lumber. Body in cherry plywood with hand-clamped, solid cherry edging, resulting in the unique pattern at the piece's corners. Also available in white oak, as well as in custom dimensions and shelf configurations. Made in Chicago.

## Dimensions

- Media | 19 1/2" high x 55 3/4" wide x 13" deep
- Low | 19 1/2" high x 42" wide x 13" deep
- Medium | 47" high x 42" wide x 13" deep
- Tall | 60 3/4" high x 42" wide x 13" deep

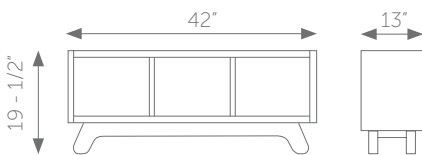
## Materials

- Cherry + natural oil and wax
- White oak + natural oil and wax

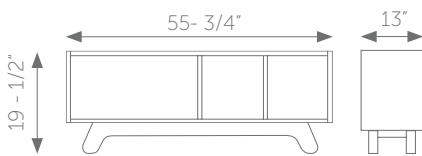


## Lead Time

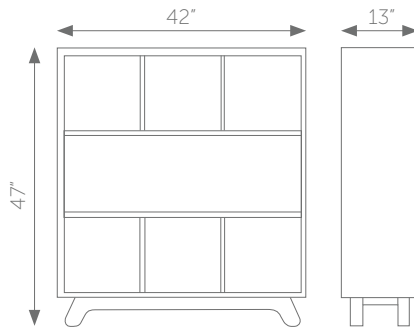
4-5 weeks



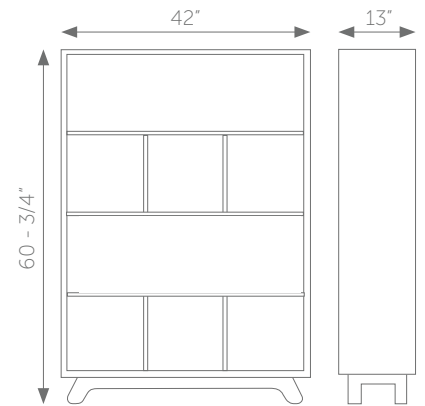
Maud Shelf Low



Maud Shelf Media



Maud Shelf Medium



Maud Shelf Tall



contemporary design | chicago made

