

Assembly Directions for Swivel Chairs

#ESCC2131, #ESBC2135, #ZSCC2131, #ZSBC2135



Cozi-Back Swivel Chair



PACKAGE CONTENTS

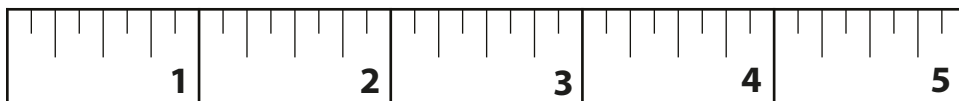
- 1 Back
- 1 Seat
- 1 Base (in separate box)
- 2 Arm Assemblies
- 1 Swivel (in base box)

HARDWARE PACKAGE

- 2 1/4" x 2 1/2" Allen Head Bolts
- 2 1/4" x 3 1/4" Allen Head Bolts
- 4 1/4" x 3 1/2" Allen Head Bolts
- 12 1/4" Flange Nuts
- 4 1/4" x 3/4" Allen Head Bolts
- 1 Allen Wrench

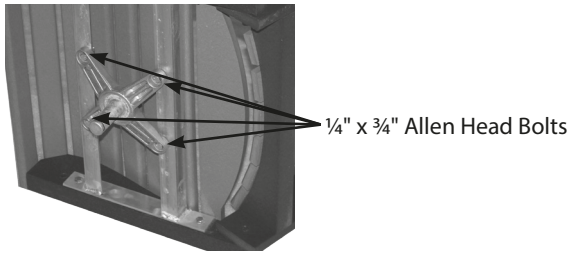
TOOLS NEEDED:

- Hammer
- 7/16" Wrench
- Allen Wrench (Included)

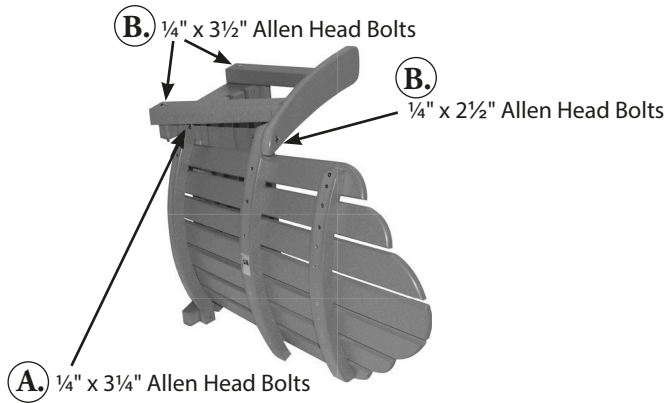


Use to measure bolts



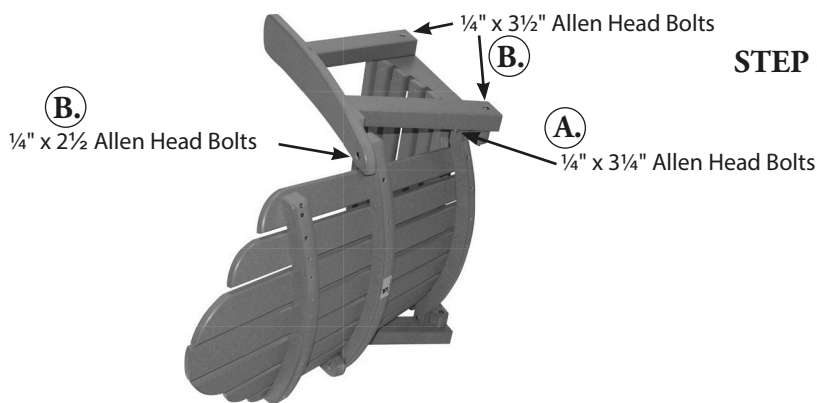


STEP #1 - Fasten Swivel to aluminum frame using 4- $\frac{1}{4}$ " x $\frac{3}{4}$ " Allen Head Bolts and Flange Nuts.



STEP #2 - **A.** Attach the seat to the back using 1- $\frac{1}{4}$ " x $\frac{3}{4}$ " Allen Head Bolt and Flange Nuts.

B. Attach the arm assembly to the Seat and Back using 2- $\frac{1}{4}$ " x $\frac{3}{2}$ " and 1- $\frac{1}{4}$ " x $\frac{2}{2}$ " Allen Head Bolts and Flange Nuts.



STEP #3 - Turn chair on other side and repeat Step 2.



STEP #4 - Lift the chair and set the Swivel Stem into the receiver of the Base. Push firmly on the chair until it sits securely in the receiver. Your Swivel Chair is complete!