

Assembly Guide

RTET2115
Rectangular End Table



Hardware Included



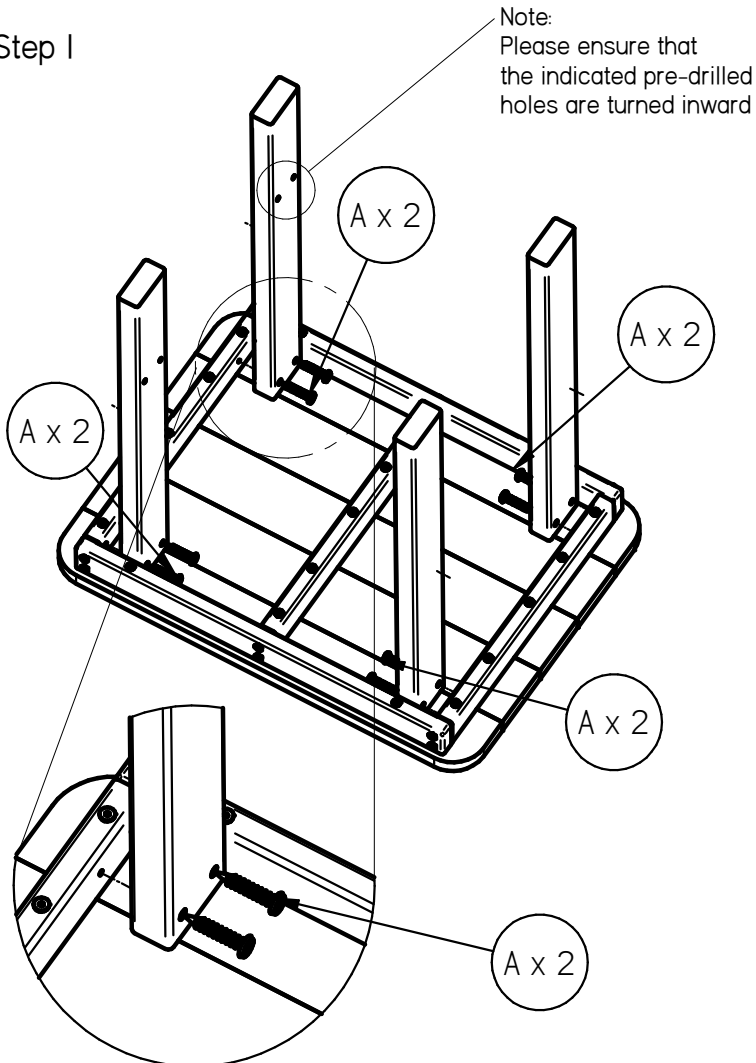
1/4" x 1 1/2" Lag

Tools Needed



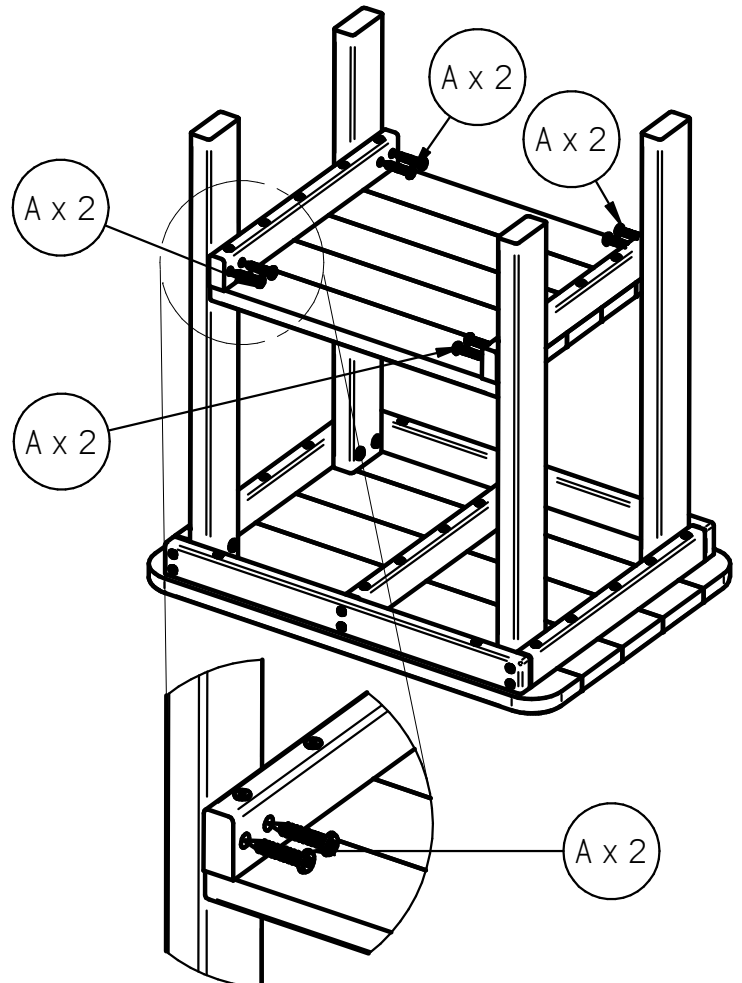
Allen Wrench (included)

Step 1



Top & Leg Assembly Detail

Step 2



Shelf Attachment Detail