



Tools Required

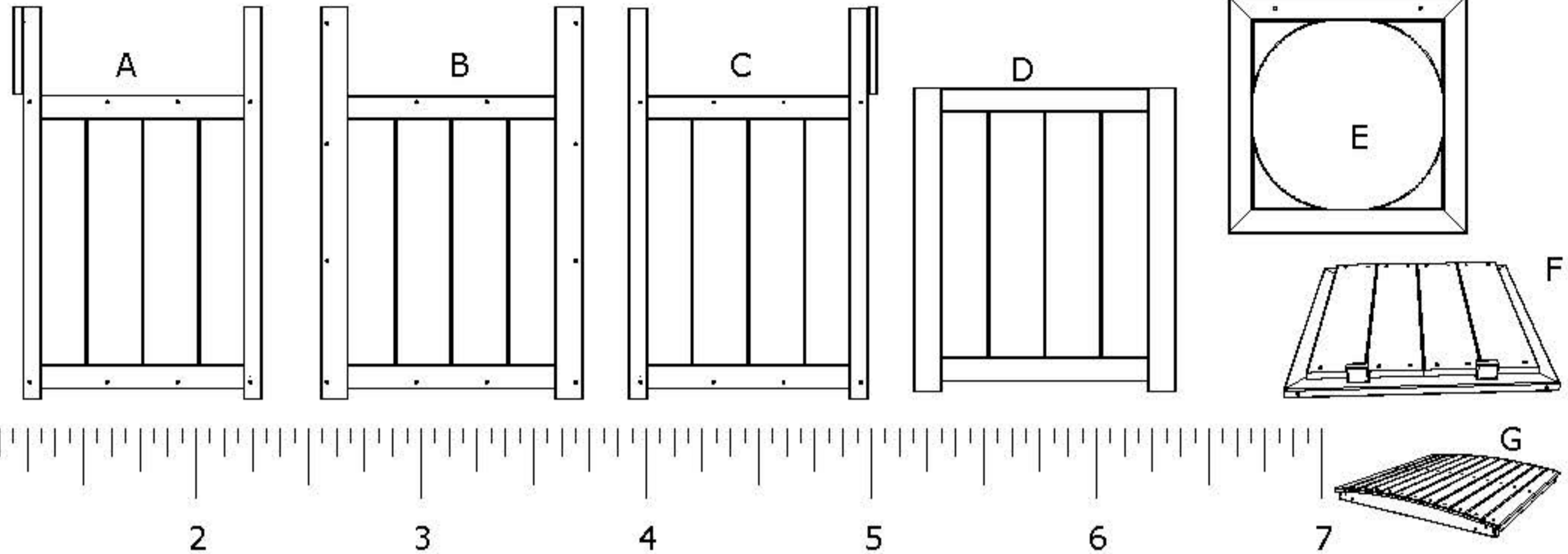
#2 Square Drive Bit
(Not Included)

Hardware

- 8 - 1 1/2" Stainless Steel Screws
- 28 - 2" Stainless Steel Screws

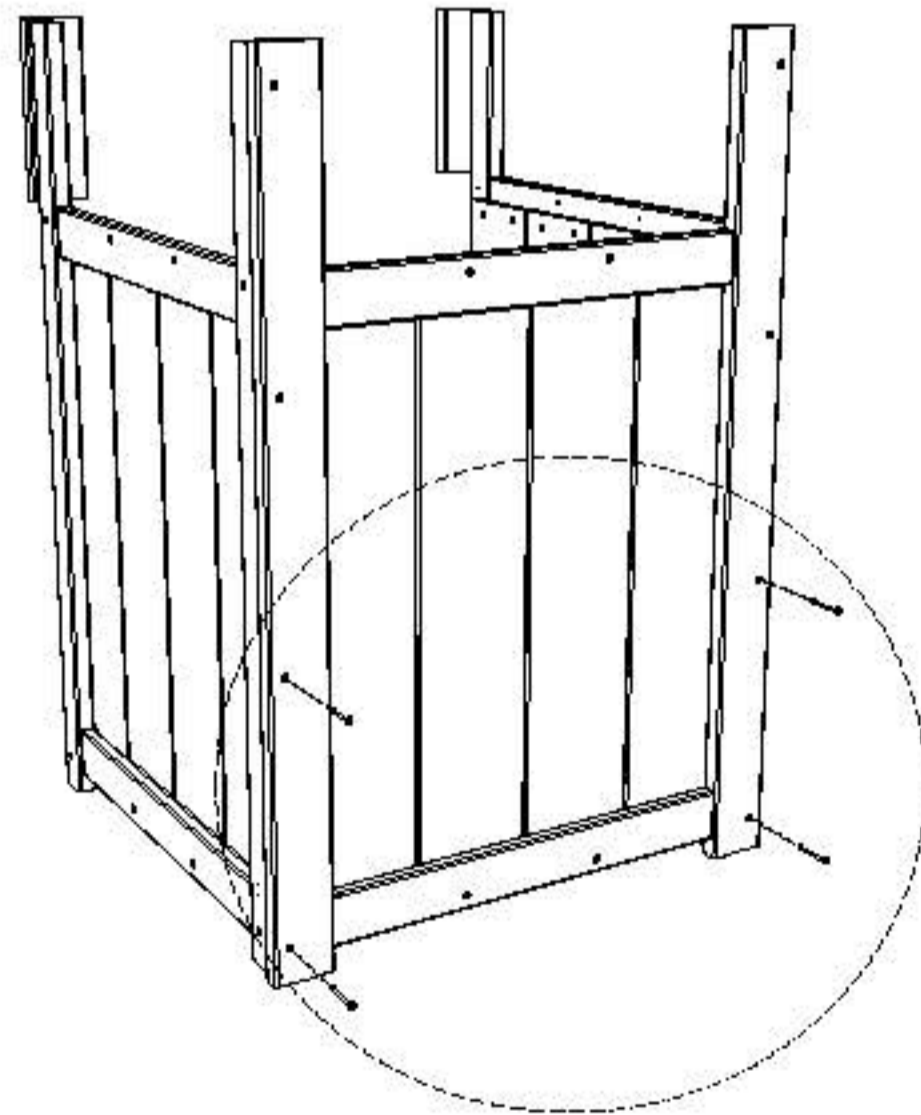
Parts List

- 1 - (A) Right Side Panel
- 1 - (B) Front Panel
- 1 - (C) Left Side Panel
- 1 - (D) Removable Back Panel
- 1 - (E) Top Rim
- 1 - (F) Floor
- 1 - (G) Roof



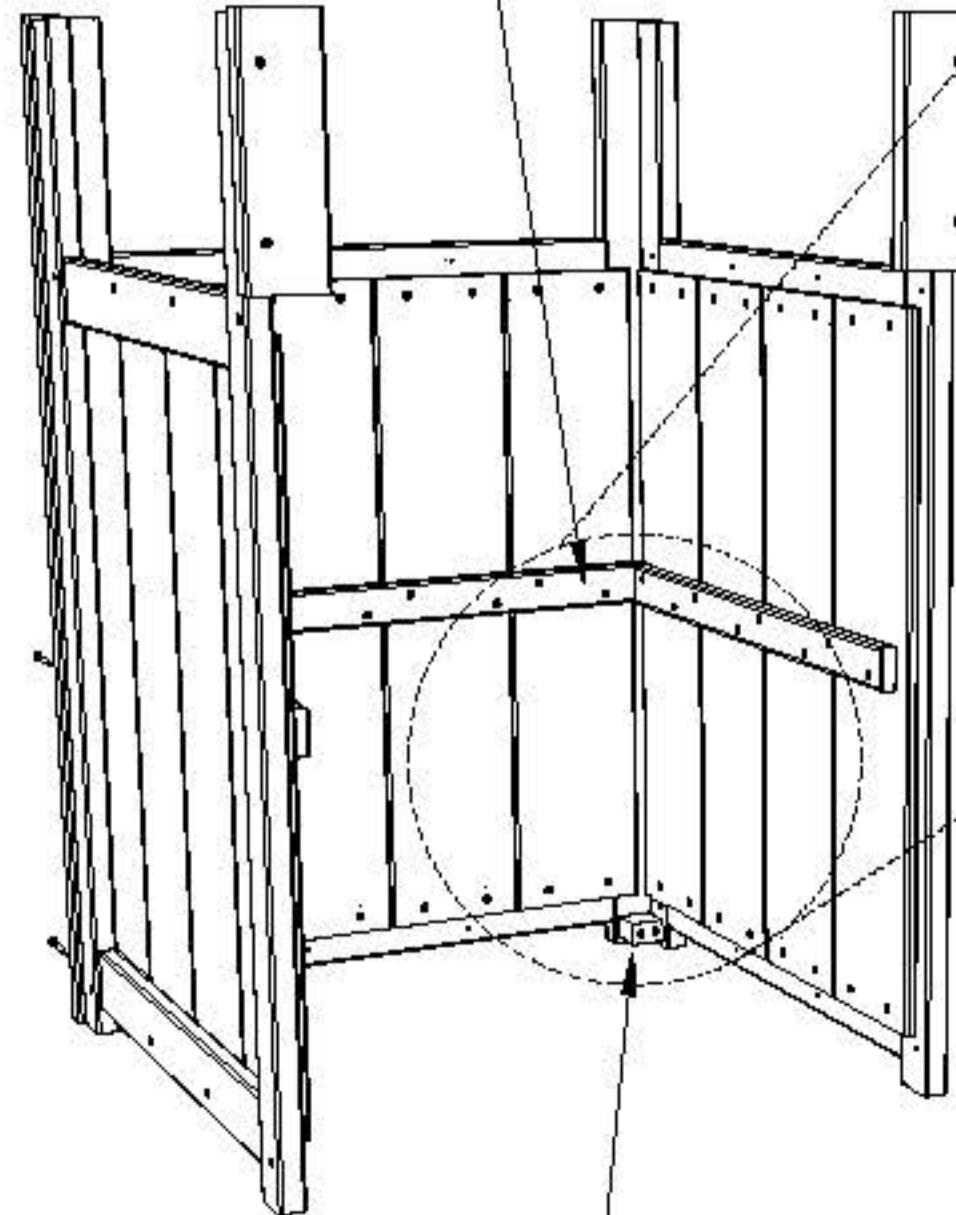
1. Attach (B) Front Panel to (A) & (C) Side Panels using 4 - 2" Screws in predrilled Holes. See Notes

Note: Keep Side Panels even on inside with Bottom Block & Middle Support Block.

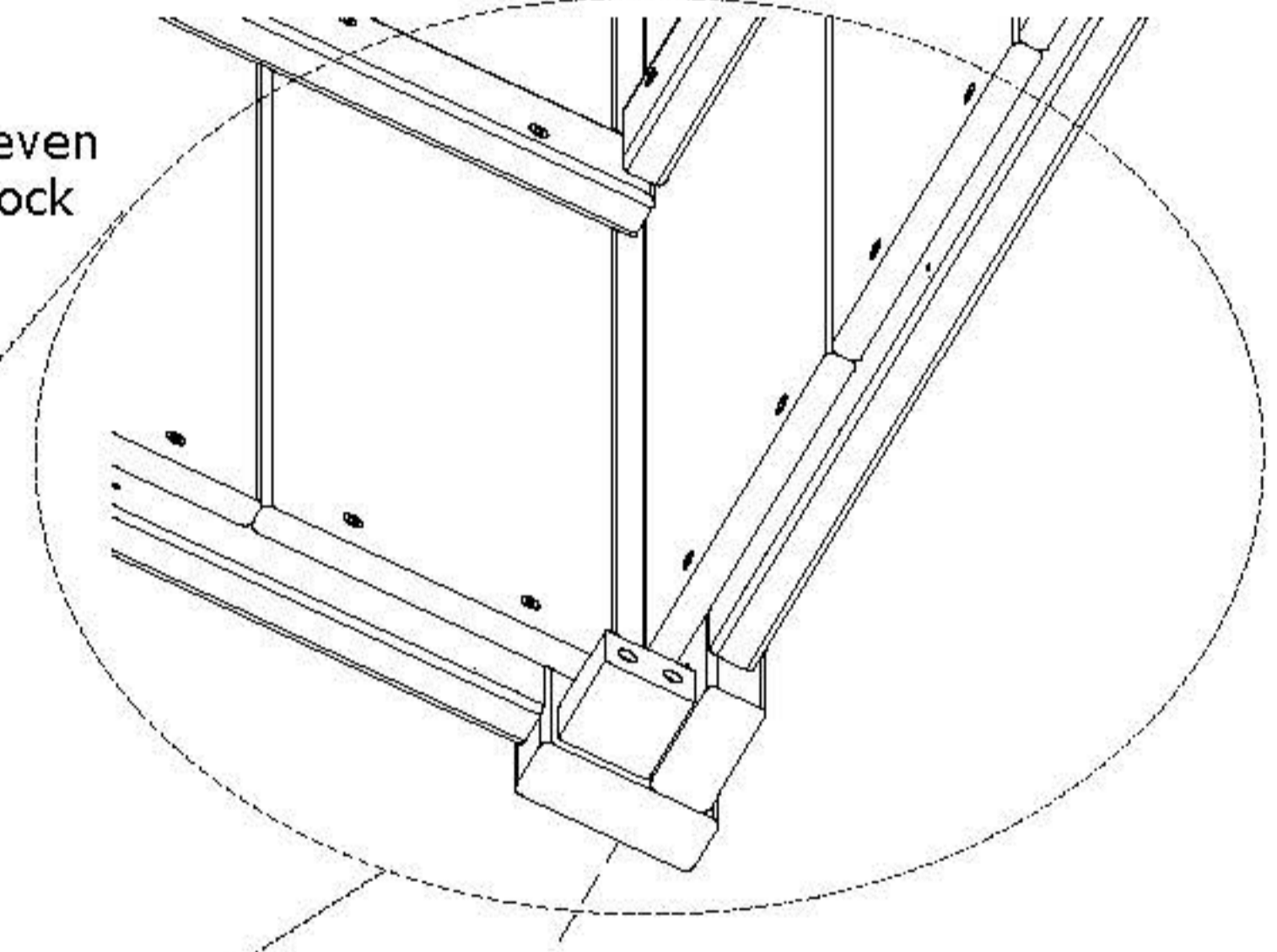


Note: Only attach bottom 2 Screws on each side as shown.

Middle support Block



Bottom Block



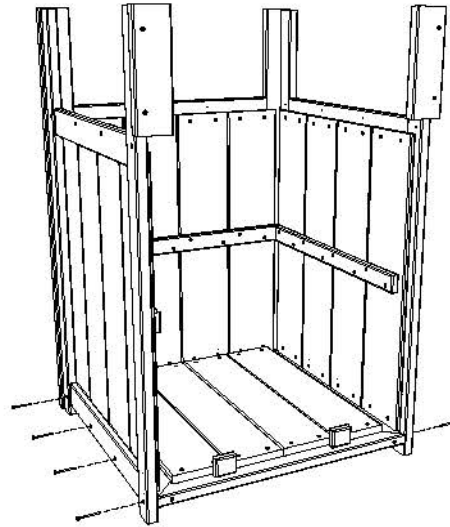
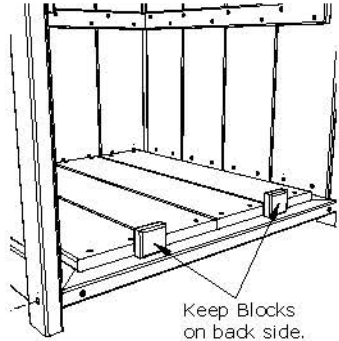
Poly Trash Can Assembly Instructions

10/20/ 2017

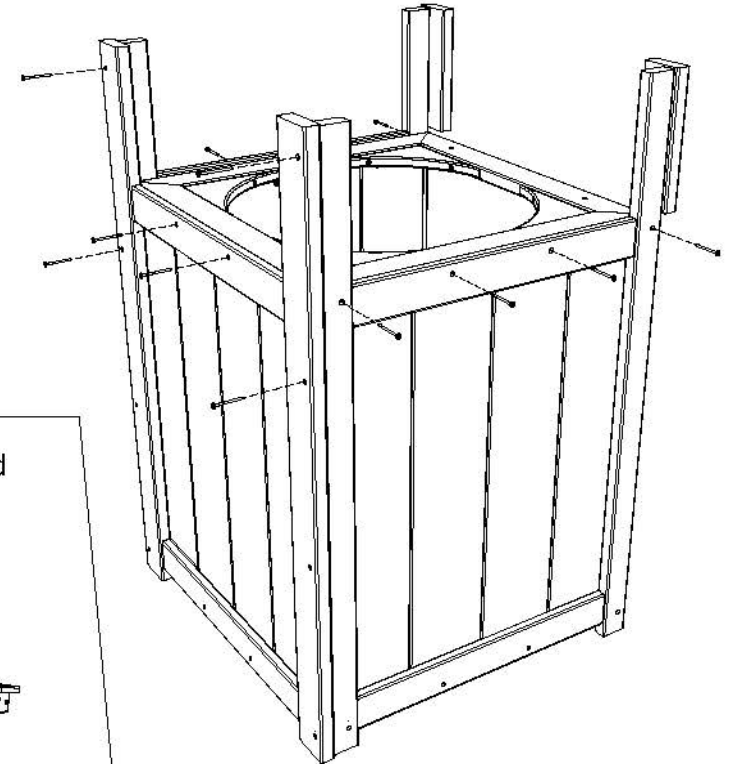
R.M.



2. Attach (F) Floor to Side & Front Panels using 4 - 2" Screws per side Panel & 2 - 2" Screws for Front Panel in predrilled holes.



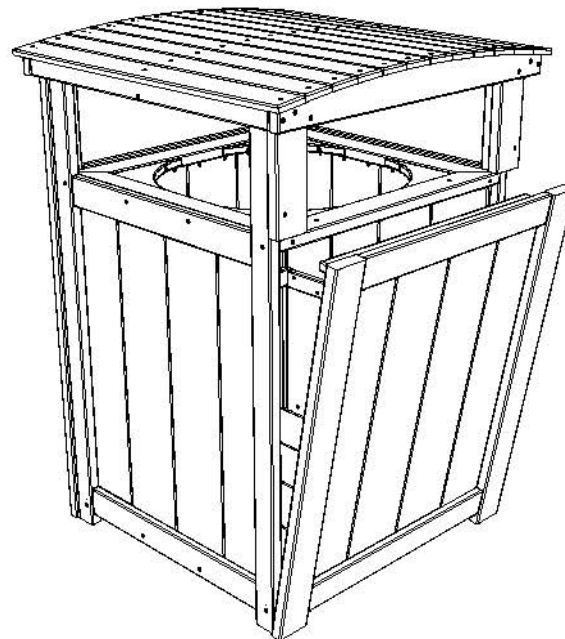
3. Align Top Rim with all top crosspieces. Keep Pin Holes on back Side. Install 4 - 2" Screws Per Side Panel in predrilled holes then install 6 - 2" Screws in predrilled holes in front Panel.



4. Attach (G) Roof using 8 - 1 1/2" Screws in predrilled holes.



5. Keep top of removable Back Panel tilted back & align bottom blocks, tilt top forward & insert pins through top Rim.



Poly Trash Can Assembly Instructions

10/20/ 2017

R.M.