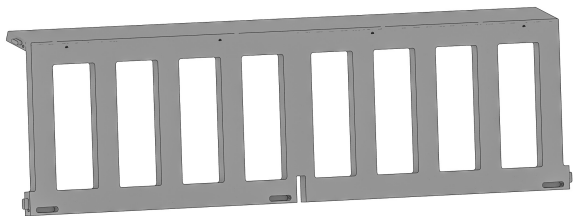
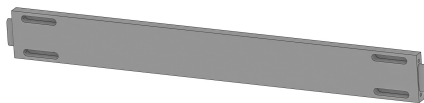


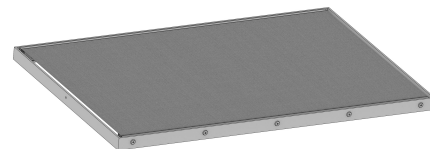
# Included Parts



Back  
X 1



Front & Back Cross Piece  
X 4



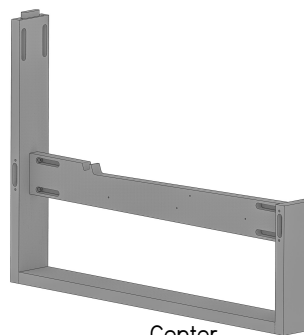
Seat Platform  
X 2



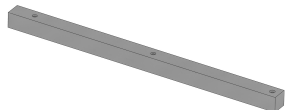
Right Side  
X 1



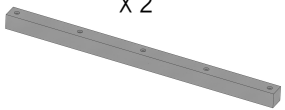
Left Side  
X 1



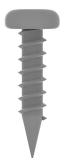
Center  
X 1



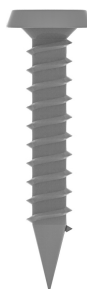
Center Seat Platform Supports  
X 2



Side Seat Platform Supports  
X 2



3/4" Panhead Screws  
X 4



1/4" X 1/2" Allenhead Lag  
X 19



1 3/4" Buglehead Screw  
X 16



Allen Drive Bit  
X 1  
*(Rounded Head Goes Into Lags)*

## Required Tools *(not included)*



Cordless Drill



#2 Square Drive Bit



## Assembly Tips

\*\*\*Please read before beginning assembly!

To avoid damaging furniture, perform the assembly on a clean, soft surface like a carpet, blanket or the flattened cardboard box with all the staples removed. Use a cordless drill and the included Allenhead Bit to install all lags and a #2 Square Drive Bit (not included) for all screws. If you are not familiar with using a cordless drill, find someone who is to assemble your furniture for you. Do not use an electric drill with a cord since it can easily overtighten hardware and damage the product. If it seems parts are not fitting properly, reread the instructions to ensure you have the correct components and are fitting them together correctly. If you need additional assistance or have questions, feel free to contact Berlin Gardens Customer Service for support at 800-593-3411. We will be happy to assist you!

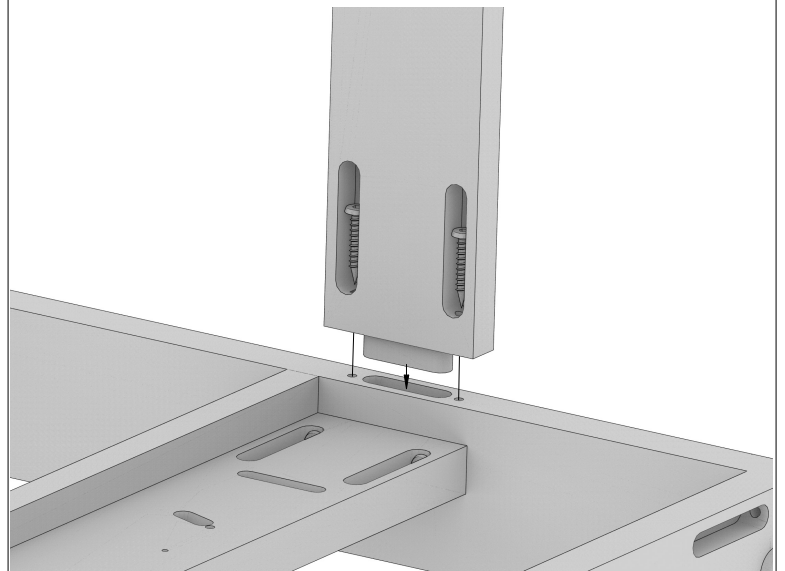
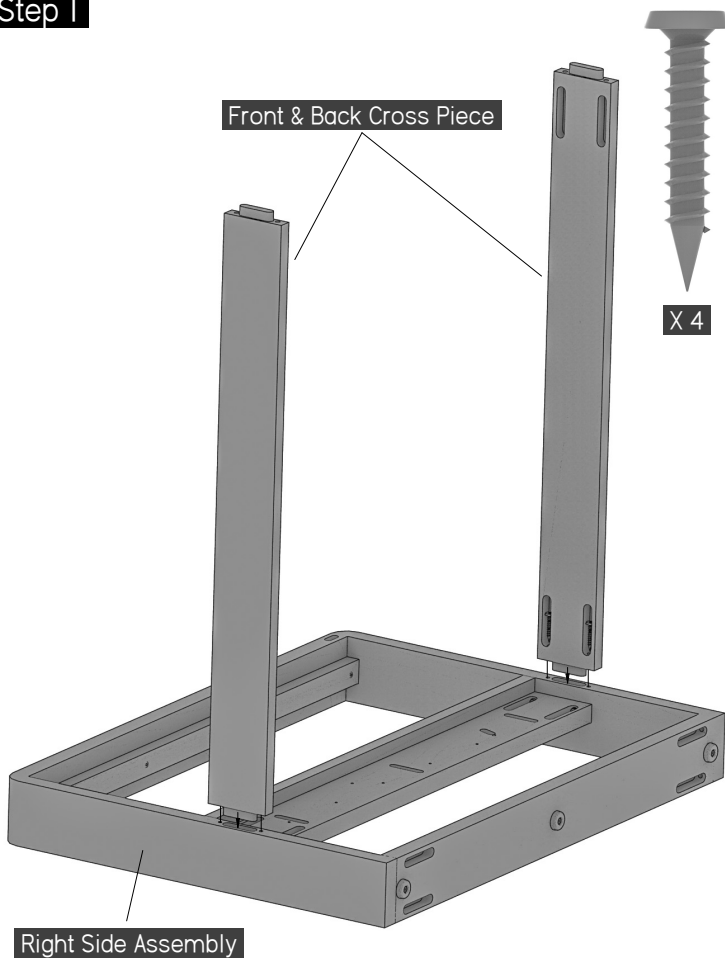
\*\*\*Please Recycle the Box!



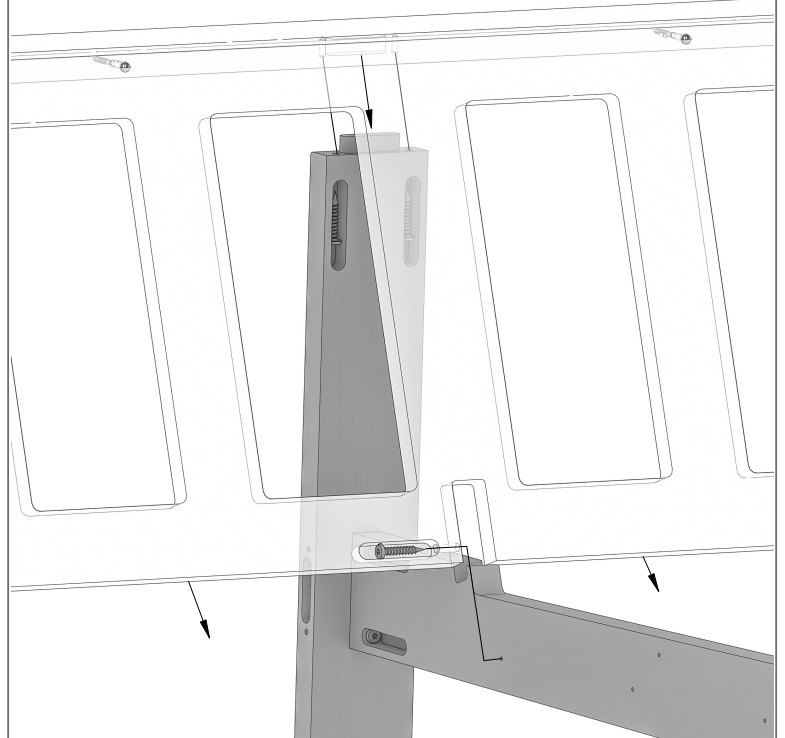
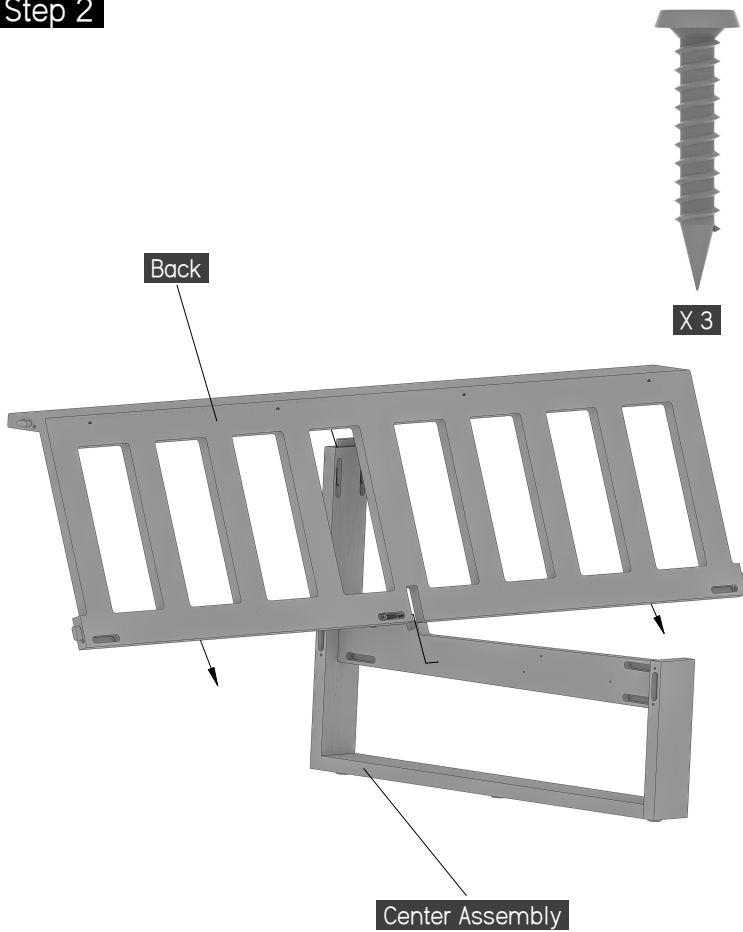
When tightening screws or lags, **DO NOT OVERTIGHTEN** to avoid stripping their hold on the material!



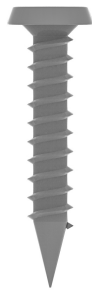
Step 1



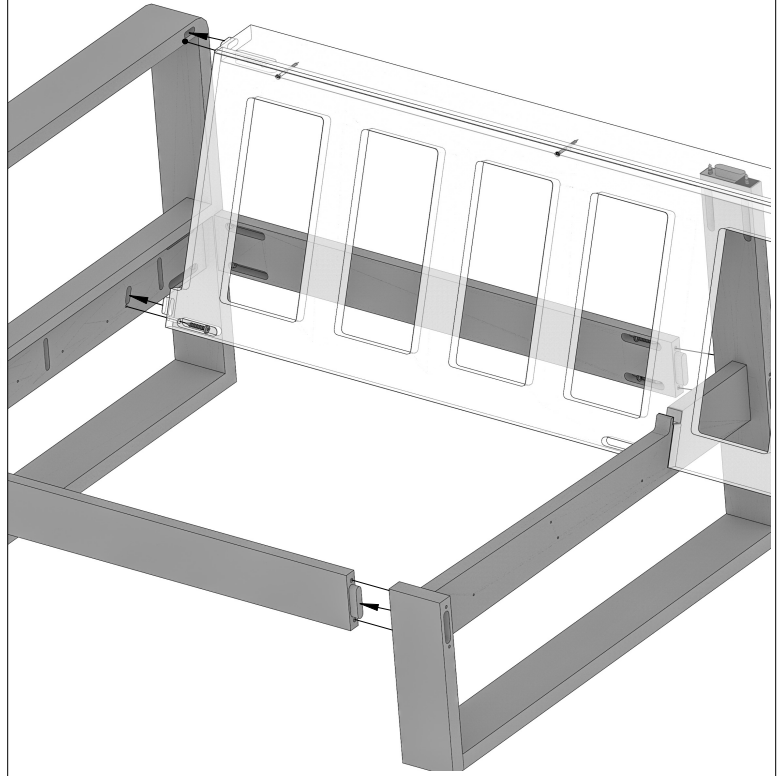
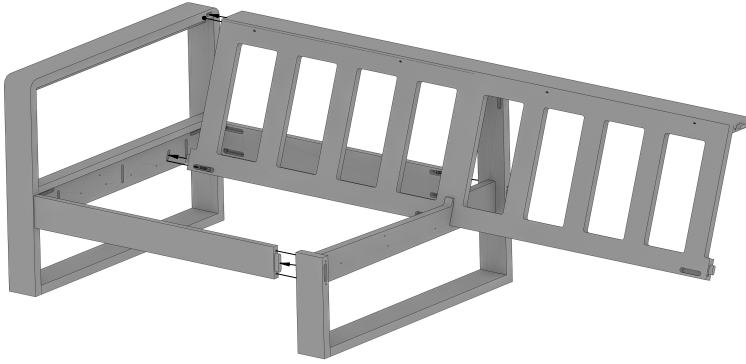
Step 2



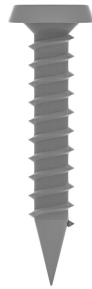
**Step 3**



X 6

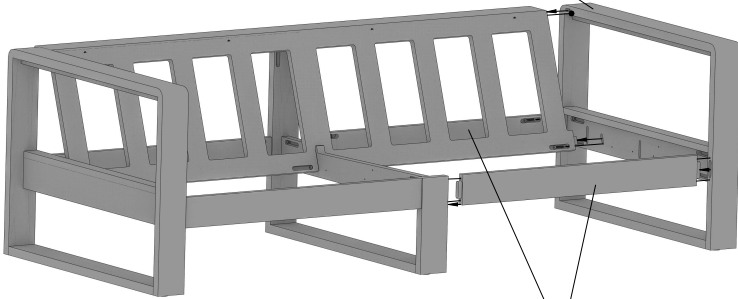


**Step 4**

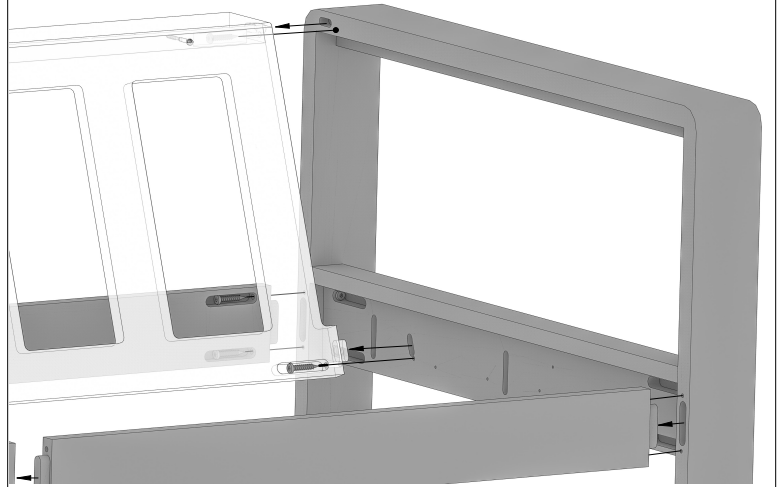


X 10

Right Side Assembly

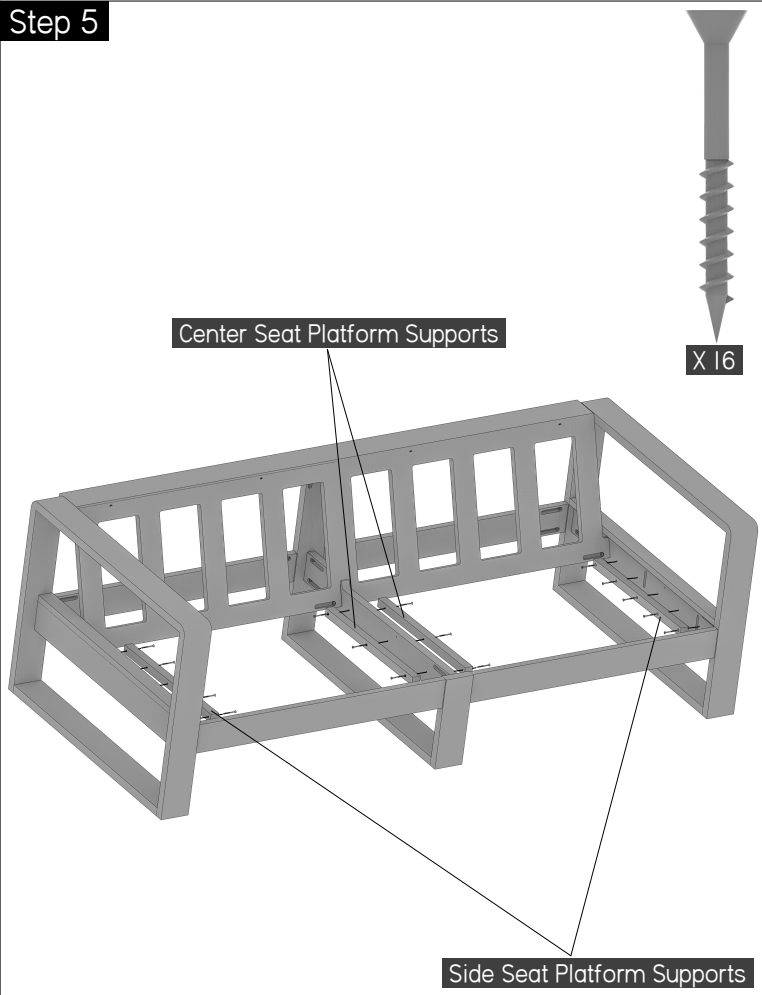


Front & Back Cross Piece

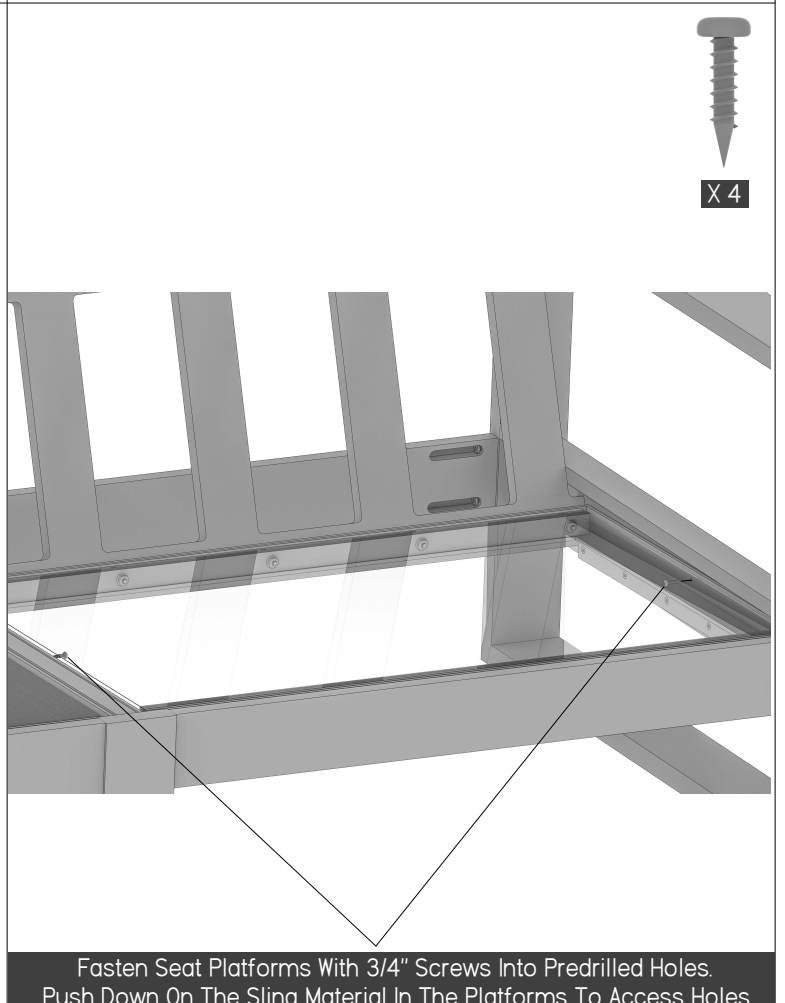


Fasten At The Same Locations As Steps 1 & 3.

**Step 5**



**Step 6**



Fasten Seat Platforms With 3/4" Screws Into Predrilled Holes. Push Down On The Sling Material In The Platforms To Access Holes.